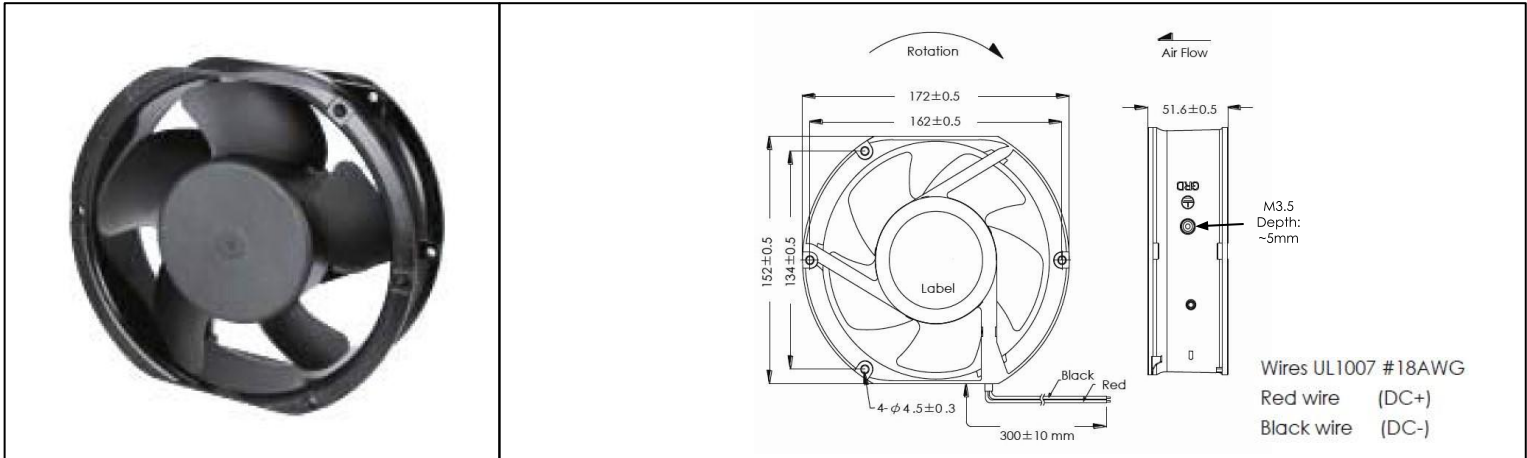


OD172SAP-XC-IP69K



DC Fan - 12V, 24V, 48V
172x151x51mm (6.8" x 5.9 x 2")



Frame	Aluminum Die Cast, Black Finish	Operating Temperature -20°C ~ +65°C Storage Temperature -20°C ~ +75°C Life Expectancy 90,000 hours (L10 at 35°C) Available Options Tachometer Alarm PWM Weight: 1.3 lbs m0	
Impeller	PBT, UL94 V-0 plastic		
Connection	2x Lead wires, 18 AWG		
Motor	Brushless DC, Auto Restart, Auto Cutoff, Polarity Protected, Electronically Protected, IP69K		
Bearing System	Dual Ball Bearings		
Dielectric Strength	500VAC/min		
Insulation Resistance	10M ohm between leadwires and frame (500 VDC)		

Part Number	Rated Voltage	Input Power	Rated Current	Rated Speed (RPM)	Airflow (CFM)	Noise Level (dB)	Max. Static Pressure
OD172SAP-12MBXCIP69K	12 VDC	13.2 W	1.1 A	3500	263	57	0.82" H ₂ O
OD172SAP-24HBXCIP69K	24 VDC	50.4 W	2.1 A	4400	323	63.5	1.06" H ₂ O
OD172SAP-48HBXCIP69K	48 VDC	49.4 W	1.03 A	4400	323	63.5	1.06" H ₂ O