

PCB Power Relays



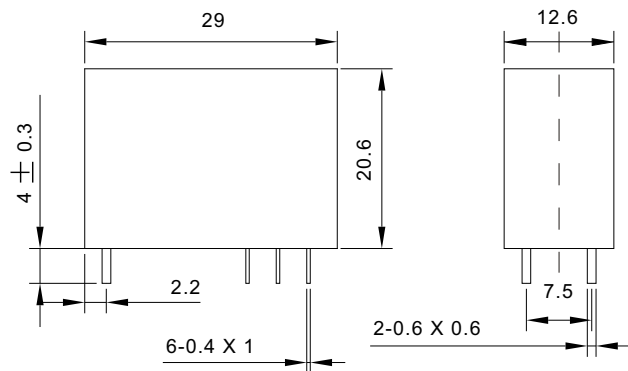
FEATURES:

| |
|--|
| 8 A and 16 A switching capabilities |
| 5 kV dielectric between coil and contact |
| Sealed enclosure |

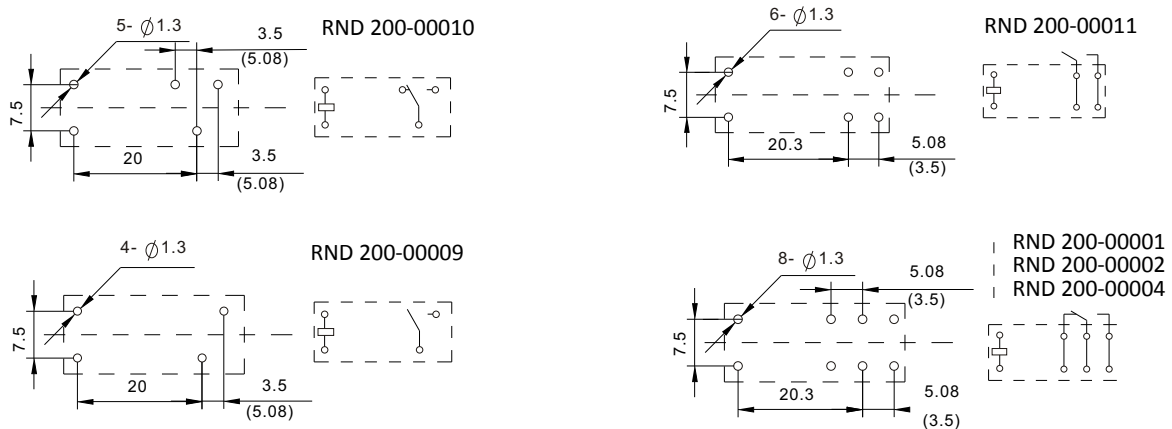
SPECIFICATION:

| | |
|----------------------|----------------------------|
| Colour | black |
| Contact material | AgCdO + AgSnO ₂ |
| Dimensions L x W x H | 29.2 x 12.8 x 20.6 mm |
| Switching capacity | 3324 VA |
| Temperature range | -40...+85 °C |
| Mounting | PCB |

DIMENSIONS:



MOUNTING AND WIRING DIAGRAM VIEWS (BOTTOM):



PRODUCT RANGE:

| Art. Nr. | Ucoil | Contacts | Switching current | Switching voltage | Rcoil | Pcoil |
|---------------|--------|----------|-------------------|-------------------|--------|--------|
| RND 200-00001 | 24 VDC | 1 CO | 16 A | 250 VAC | 820 Ω | 0.72 W |
| RND 200-00002 | 24 VDC | 1 CO | 16 A | 250 VAC | 1100 Ω | 0.54 W |
| RND 200-00004 | 12 VDC | 1 CO | 16 A | 250 VAC | 270 Ω | 0.54 W |
| RND 200-00009 | 24 VDC | 1 NO | 8 A | 250 VAC | 1100 Ω | 0.54 W |
| RND 200-00010 | 24 VDC | 1 CO | 8 A | 250 VAC | 1100 Ω | 0.54 W |
| RND 200-00011 | 24 VDC | 1 NO | 16 A | 250 VAC | 1100 Ω | 0.54 W |

CONTACT DATA:

| | |
|------------------------------|--|
| Initial Contact Resistance | $\leq 50m\Omega$ |
| Contact Material | AgCdO;AgSnO2 |
| Max.Switching Power | 2200VA/300W |
| Max.switching Voltage | 125VDC 380VAC |
| Max.switching Current | 20A |
| Life expectancy (mechanical) | 10 000 000 operations (frequency 18 000 op/h) |
| Life expectancy (electrical) | 100 000 operations (frequency 1200 op/h) |

OPERATION CONDITIONS:

| | |
|----------------------------|--------------------------------|
| Insulation Resistance | 1000M Ω min (at 500VDC) |
| Dielectric Strength: | |
| Between coil and Contacts: | 50Hz 5000V |
| Between open contacts: | 50Hz 1200V |
| Operate time | 20ms |
| Release time | 8ms |
| Shock Resistance | 100m/s ² 11ms |
| Vibration Resistance | 10~55Hz amplitude 1.5mm |
| Temperature rise | 10N |
| Humidity | 85% |
| Construction | Sealed & Dust Cover |
| Weight | 22g |

CHARACTERISTICS CURVE:

