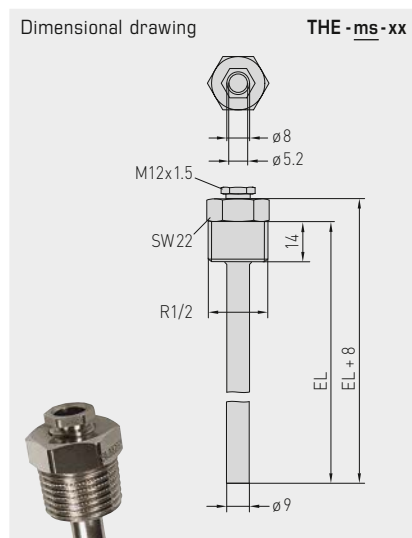


**THERMASGARD® THE**

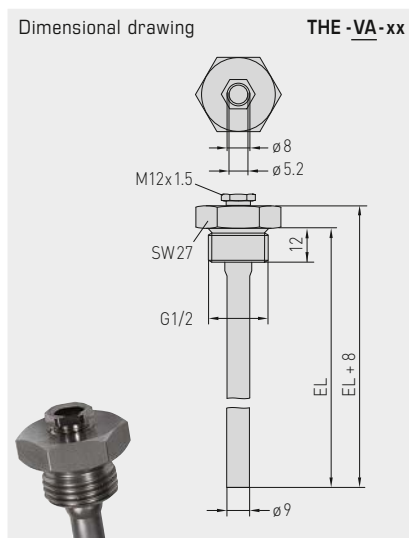
Immersion sleeves made of stainless steel or brass, nickel-plated,  
with adjusting screw, for sleeve sensor HTF/HFTM

S+S REGELTECHNIK


**THE -ms-xx**

Immersion sleeve,  
nickel-plated brass

with adjusting screw,  
thread-sealing, conical,  
according to DIN 10226


**THE -VA-xx**

Immersion sleeve,  
stainless steel V4A (1.4571)

with adjusting screw,  
flat sealing, cylindrical,  
according to DIN 228


**When Copper and Zinc are Not Enough**

Uncompromising quality and safety are also paramount in the design of the accessory from S+S. This is why our metal immersion sleeves for duct sensors are made using either nickel plated brass or stainless steel. Brass is an alloy consisting mainly of copper and zinc, which provide good forming and machining properties, mechanical strength, temperature resistance and electrical conductivity.

In contrast to conventional products in the market, however, our brass immersion sleeves feature an additional nickel coating. This ensures their longterm corrosion resistance in minor aggressive media, from air and water to alkaline solutions and diluted acids. At the same time, the nickel layer prevents ingredients in thermally conductive compounds from stripping the copper and causing pitting.

Highest protection against corrosion is provided by immersion sleeves made of stainless steel. Among the available qualities, we chose VA 1.4571 or AISI 316 Ti, a high-grade austenite specialty combining chromium, nickel and molybdenum with an extra titanium content. The alloy has a proven fit particularly in the design of chemical process equipment and technical instruments as well as in waste gas and water treatment. Its corrosion resistance also includes chlorides or salts and more aggressive acids, such as hydrochloric acid (HCl).

**THERMASGARD® THE** Immersion sleeve Ø 9 mm for THERMASGARD® HTF / HFTM

Type / WG01	p <sub>max</sub> static	T <sub>max</sub>	Inserted Length (EL)	Item No.	Price
<b>THE -ms / xx</b>	<b>Brass nickel-plated</b>			<b>Ø 9 x 1,0 mm</b>	
THE-MS 50MM	16 bar	+130 °C	50 mm	7100-0011-6010-002	9,22 €
THE-MS 100MM	16 bar	+130 °C	100 mm	7100-0011-6020-002	9,96 €
THE-MS 150MM	16 bar	+130 °C	150 mm	7100-0011-6030-002	10,33 €
THE-MS 200MM	16 bar	+130 °C	200 mm	7100-0011-6040-002	11,06 €
THE-MS 250MM	16 bar	+130 °C	250 mm	7100-0011-6050-002	12,39 €
<b>THE -VA / xx</b>	<b>Stainless steel V4A (1.4571)</b>			<b>Ø 9 x 1,0 mm</b>	
THE-VA 50MM	40 bar	+200 °C	50 mm	7100-0012-6010-002	18,25 €
THE-VA 100MM	40 bar	+200 °C	100 mm	7100-0012-6020-002	20,16 €
THE-VA 150MM	40 bar	+200 °C	150 mm	7100-0012-6030-002	21,65 €
THE-VA 200MM	40 bar	+200 °C	200 mm	7100-0012-6040-002	22,83 €
THE-VA 250MM	40 bar	+200 °C	250 mm	7100-0012-6050-002	28,38 €
THE-VA 300MM	40 bar	+200 °C	300 mm	7100-0012-6060-002	29,65 €
THE-VA 400MM	40 bar	+200 °C	400 mm	7100-0012-6080-002	30,61 €
Ordering example:	THE -ms - 150 (Brass immersion sleeve, Ø = 9 mm, EL = 150 mm) THE -VA - 150 (Stainless steel immersion sleeve, Ø = 9 mm, EL = 150 mm) Other inserted lengths on request				
Note:	inner diameter of socket 5.2 mm, with adjusting screw M12 x 1.5				

**INSTRUCTIONS FOR PLANNING AND INSTALLATION**

The approaching flow causes the protective tube to vibrate.

If the specified approach velocity is exceeded even by a marginal amount, a negative impact on the protective tube's service life may result (material fatigue).

Please observe permissible approach velocities for stainless steel protective tubes (see graph THE-VA) as well as for brass protective tubes (see graph THE-ms).

Discharge of gases and pressure surges must be avoided as they have a negative influence on the service life and may damage the protective tubes irreparably.

**MIXING SECTION**

After the mixing of water flows of different temperatures, the issue of temperature stratification means that an adequate distance to the sensor must be observed.

