

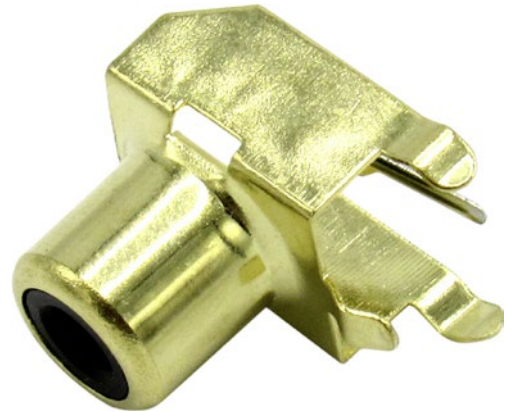
# RCA connector

## Female



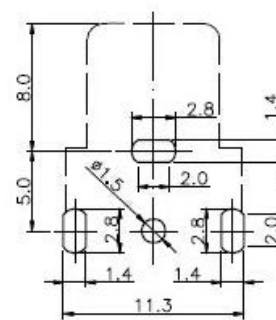
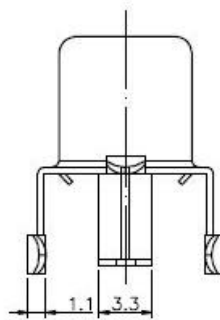
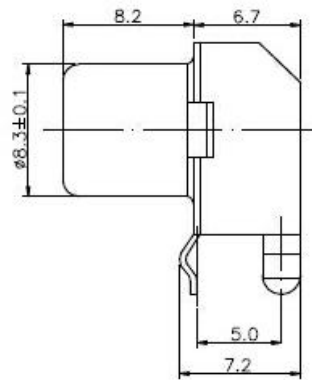
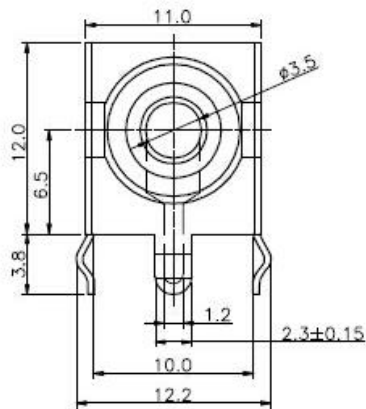
### SPECIFICATION:

Colour	black
Housing Material	Polybutylene terephthalate (PBT)
Gender of contacts	Female
Connector Design	angled
Contacts	Brass/gold-plated
Termination type	PCB/THT



Art. Nr.

RND 205-00698



TOP VIEW  
PCB LAYOUT RECOMMENDED