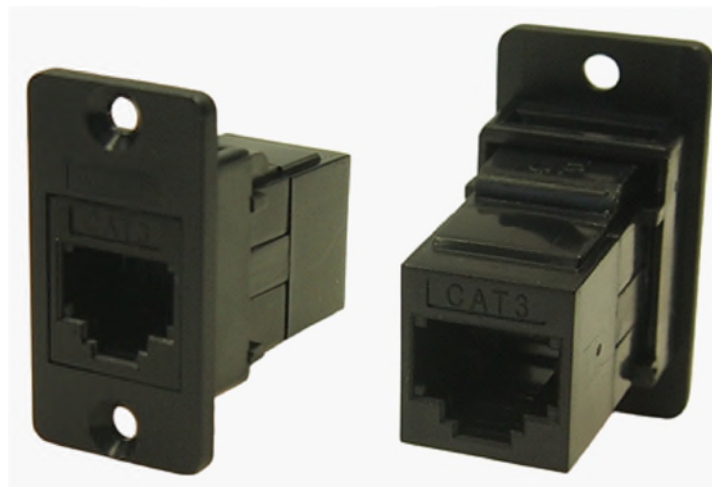
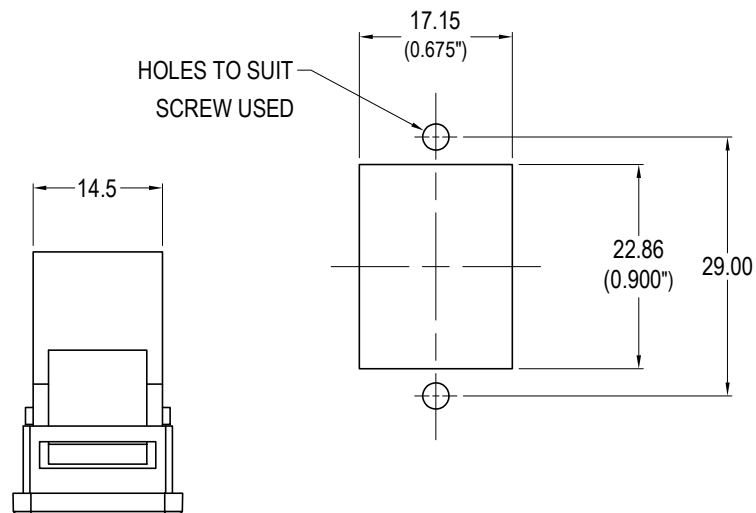
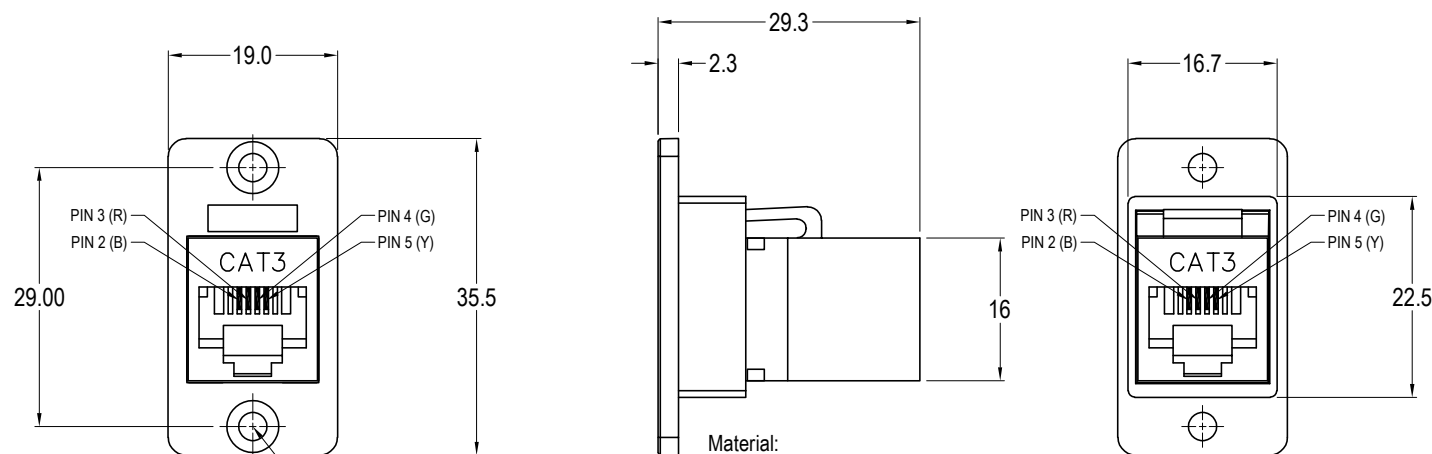
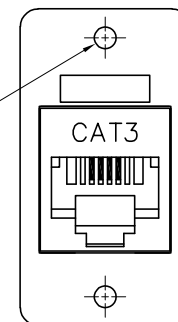


ISS.	AMEND	DATE
1	ISSUED	24/09/20



PLAIN HOLE VARIANTS  
 'X' VERSION Ø2.5  
 'X1' VERSION Ø3.2



3x HOLE VARIANTS  
 Ø3.2mm CSK 90° x Ø5.85  
 'X' PLAIN Ø2.5 HOLES  
 'X1' PLAIN Ø3.2 HOLES

- Material:
1. RJ11 In-Line Coupler: PC/ABS, UL 94V-0
  2. RJ11 In-Line Coupler Contact: Phosphor Bronze, 3-50 micro inches gold plating over nickel plate.
  3. PCB: FR4, UL 94V-0
  4. Frame: Polyamide UL 94V-2
  5. Operating Temperatures: Min -10°C Max +60°C

VARIANTS	
PART NO.	HOLE DETAILS
CP30623	HOLE Ø3.2 x CSK 90° x Ø5.85
CP30623X	PLAIN HOLE Ø2.5
CP30623X1	PLAIN HOLE Ø3.2

**RoHS**  
 COMPLIANT

TOLERANCE  
 NO DEC. PLACE ±  
 1 DEC. PLACE ±  
 2 DEC. PLACE ±  
 HOLE Ø ±  
 ANGLES ±  
 UNLESS OTHERWISE STATED

**Cliff Electronic Components Ltd.**

76 Holmethorpe Avenue, Holmethorpe Industrial Estate,  
 Redhill, Surrey, RH1 2PF, England, UK  
 Tel: 01737-771375 Fax: 01737-766012 Website: www.cliffuk.co.uk

DIMENSIONS IN MILLIMETERS UNLESS OTHERWISE STATED. WORK TO DIMENSIONS. REMOVE ALL BURRS. IF IN DOUBT ASK.

3rd ANGLE PROJECTION:

DO NOT SCALE

MATERIAL: See Notes

FINISH: See Notes

DRAWN: T.J.O.

APPROVED: D.P.J.

TITLE: FRONT MOUNT SLIM FT CAT3 RJ11 6P4C

DRWG. No. CP30623

FORM: A4DRWGH

THE CONTENTS OF THIS DOCUMENT MUST NOT BE COPIED OR DISCLOSED TO A 3rd PARTY WITHOUT WRITTEN PERMISSION OF CLIFF UK. © 2020