

## Grove - 3-Axis Digital Accelerometer ±16g Ultra-low Power (BMA400)

SKU 101020582

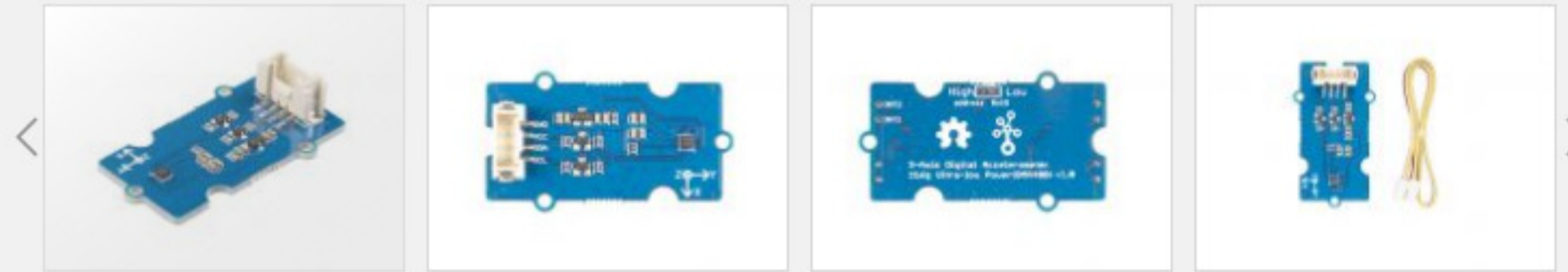
**In Stock**  
210+ Available

- 1 +

Add to Cart

Qty Discount available ▾

🔍 GOT QUESTIONS? ASK US



**DESCRIPTION** MORE INFORMATION DOCUMENTS LEARN REVIEWS FAQs

The Grove - 3-Axis Digital Accelerometer ±16g Ultra-low Power (BMA400) sensor is a 12 bit, digital, triaxial acceleration sensor with smart on-chip motion and position-triggered interrupt features. It can detect your movement posture, such as Walking, Running, Standing still.

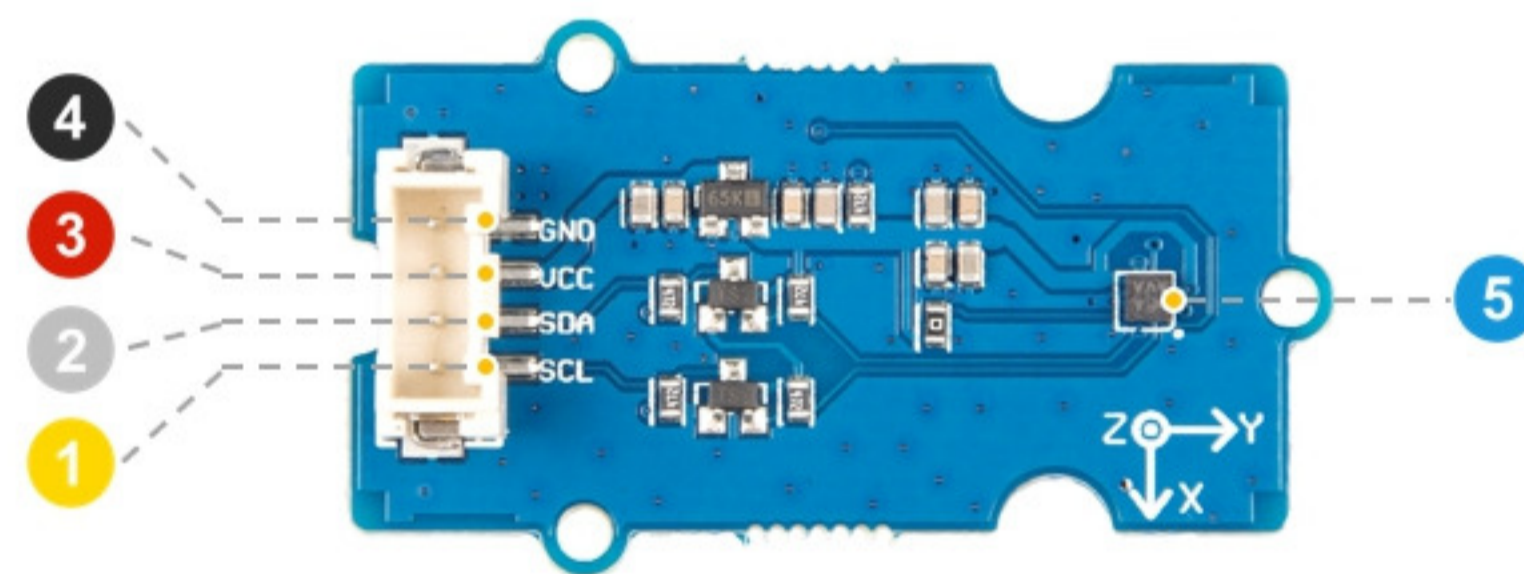
### Features

- Ultra-low power
- Programmable functionality
- On-chip FIFO
- On-chip interrupt features
- Auto-low power/Auto wakeup
- Activity/In-activity
- Step counter
- Activity Recognition(Walking,Running,Standing still)
- Orientation detection
- Tap/Double tap

### Typical applications

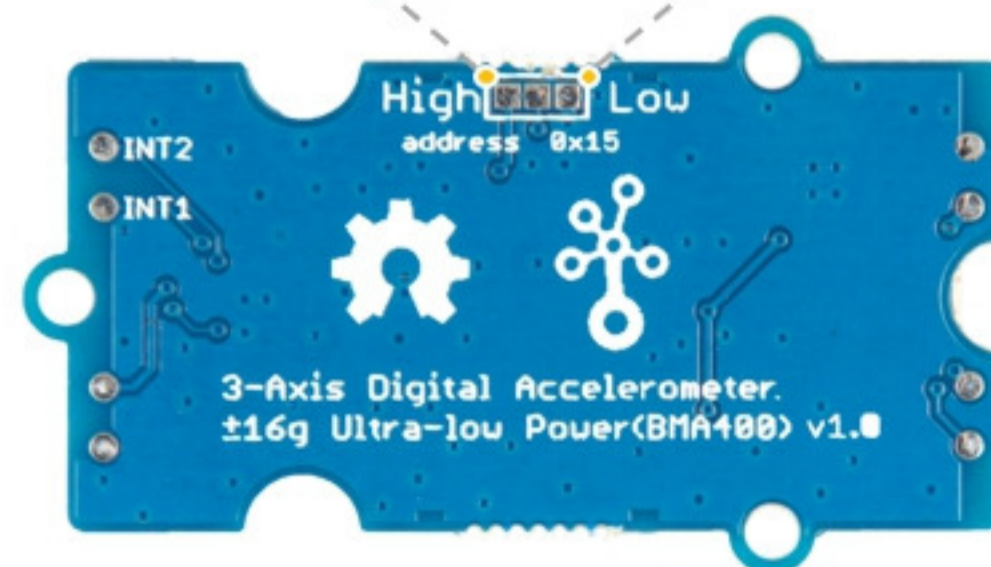
- Step Counting with ultra-low current consumption for extensive battery lifetime
- Fitness applications / Activity Tracking
- Tap / double tap sensing
- Drop detection for warranty logging
- Window/door measurements for climate control and alarm systems

### Pin Out



- 4 GND: connect this module to the system GND
- 3 VCC: you can use 5V or 3.3V for this module
- 2 SDA: I<sup>2</sup>C serial data
- 1 SCL: I<sup>2</sup>C serial clock
- 5 The BMA400 module

0 x 14 Optional  
0 x 15 Default



Contact Support

### Company

- About Seeed
- Distributors
- Careers
- Contacts

### Help Center

- How to Get Help
- FAQ
- Technical Support
- Shipping & Order
- Warranty & Returns
- Payment Information

### Community

- Project Hub
- Forum
- Blog
- Wiki

### Stay Tuned

Enter Email Address

