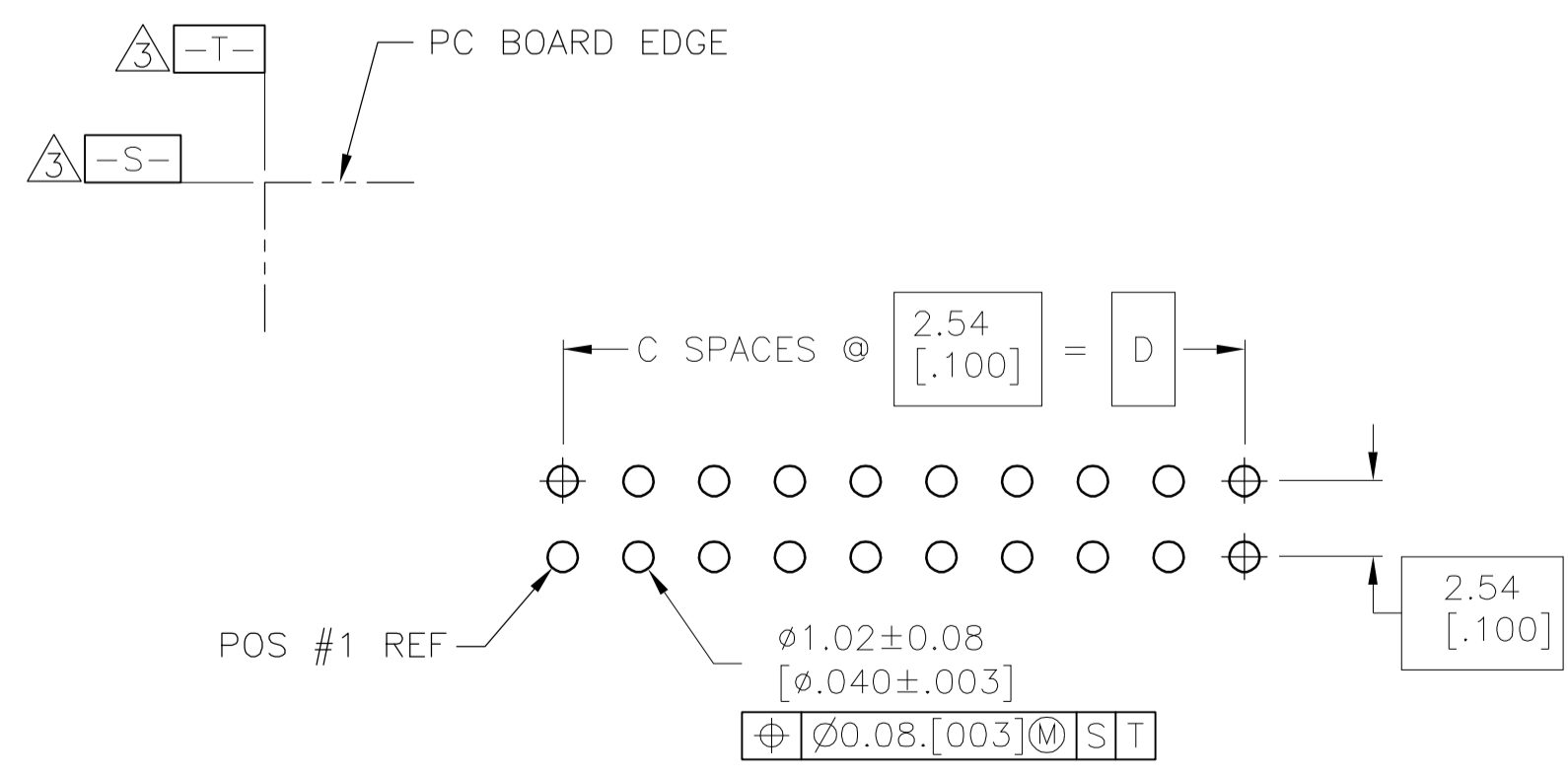
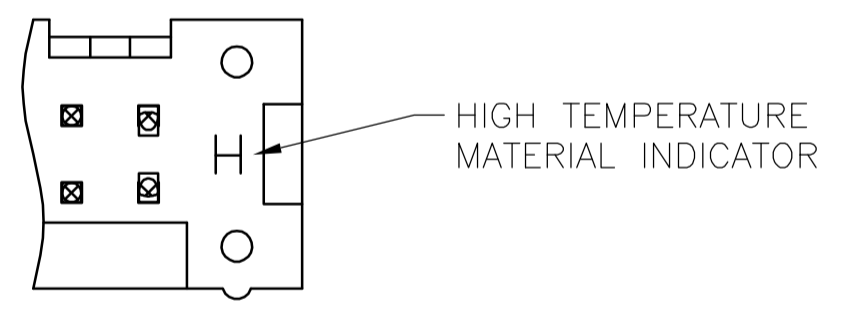
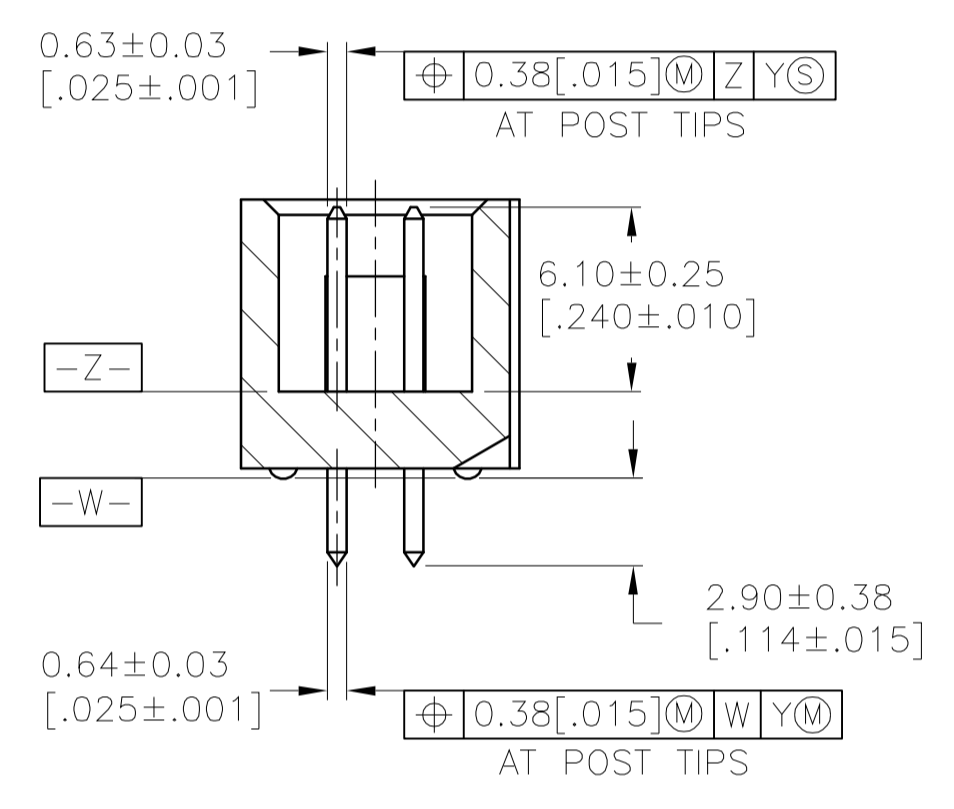
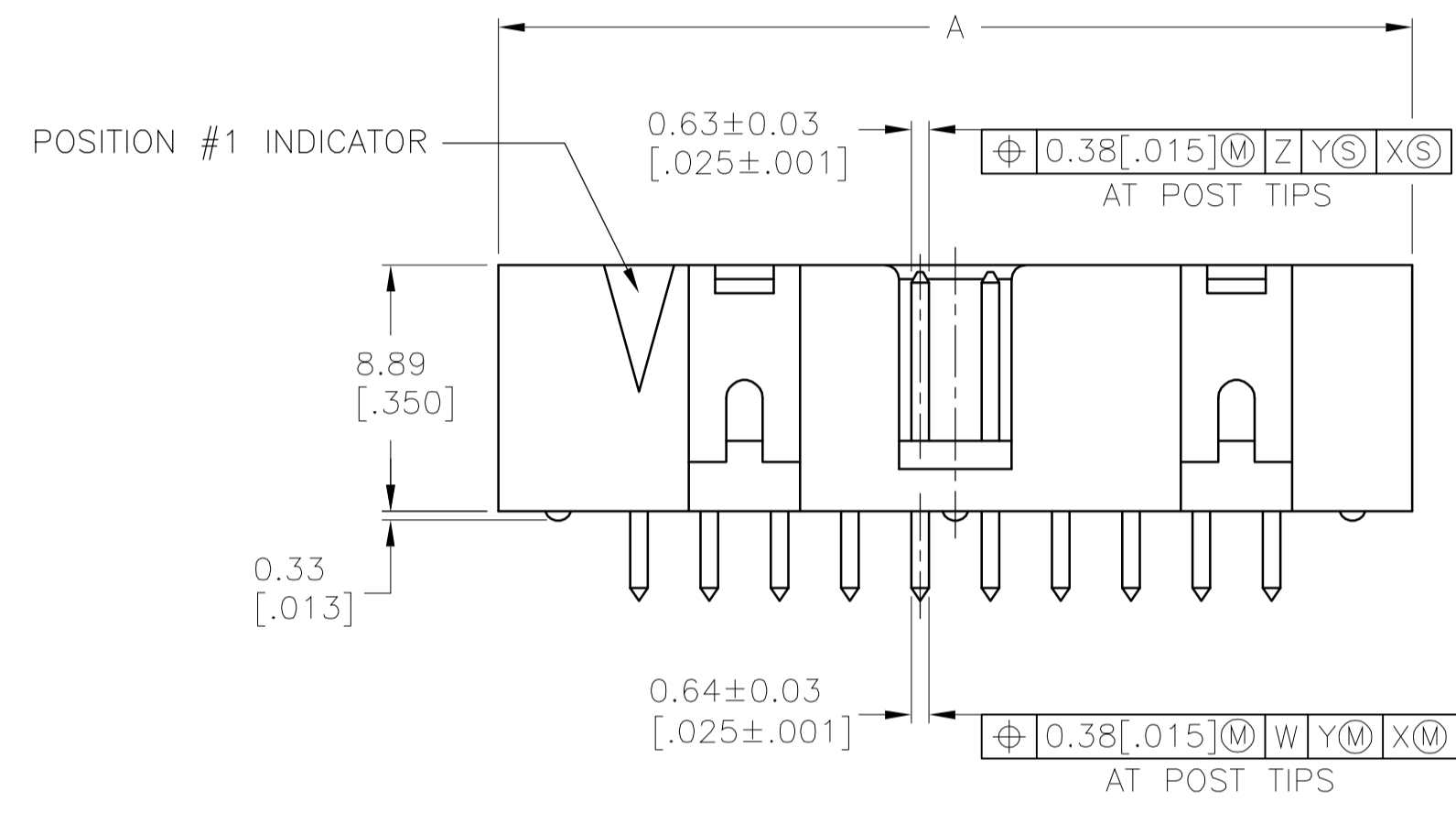


- ⚠ HOUSING: PCT, UL94V-0, COLOR BLACK.
- ⚠ POSTS: PHOSPHOR BRONZE.
- ⚠ POSTS: 0.00038[.000015] MIN GOLD ON MATING AREA, 0.00254[.000100] MIN TIN ON SOLDER END, ALL OVER 0.00127[.000050] MIN NICKEL ON ENTIRE POST.
- ⚠ DATUMS S & T TO BE ESTABLISHED BY CUSTOMER.
- ⚠ NO KEYING SLOT ON THIS END FOR 6, 8, 10 & 14 POSITION ASSEMBLIES.
- ⚠ NO KEYING SLOT ON THIS END FOR 6, 8 & 10 POSITION ASSEMBLIES.



RECOMMENDED PC BOARD LAYOUT  
(VIEWED FROM CONNECTOR SIDE)

	D	C	B	A	NO OF POS	PART NUMBER
OBSOLETE	78.74 [3.100]	31	86.36 [3.400]	88.90 [3.500]	64	1-1761681-7
	73.66 [2.900]	29	81.28 [3.200]	83.82 [3.300]	60	1-1761681-6
	60.96 [2.400]	24	68.58 [2.700]	71.12 [2.800]	50	1-1761681-5
	48.26 [1.900]	19	55.88 [2.200]	58.42 [2.300]	40	1-1761681-3
	40.64 [1.600]	16	48.26 [1.900]	50.80 [2.000]	34	1-1761681-1
	30.48 [1.200]	12	38.10 [1.500]	40.64 [1.600]	26	1761681-9
OBSOLETE	27.94 [1.100]	11	35.56 [1.400]	38.10 [1.500]	24	1761681-8
	22.86 [.900]	9	30.48 [1.200]	33.02 [1.300]	20	1761681-7
	17.78 [.700]	7	25.40 [1.000]	27.94 [1.100]	16	1761681-6
	15.24 [.600]	6	22.86 [.900]	25.40 [1.000]	14	1761681-5
	10.16 [.400]	4	17.78 [.700]	20.32 [.800]	10	1761681-3
OBSOLETE	7.62 [.300]	3	15.24 [.600]	17.78 [.700]	8	1761681-2
	5.08 [.200]	2	12.70 [.500]	15.24 [.600]	6	1761681-1

THIS DRAWING IS A CONTROLLED DOCUMENT.

DIMENSIONS: MM[INCHES]	TOLERANCES UNLESS OTHERWISE SPECIFIED: 0 PLC ± - 1 PLC ± - 2 PLC ± - 3 PLC ± 0.13[.005] 4 PLC ± - ANGLES ± -	DRAWING NO A1 00779	SCALE 4:1	DRAWING NO 1761681	RESTRICTED TO -
MATERIAL	FINISH	WEIGHT	CUSTOMER DRAWING	SHEET 1 OF 1	REV A

THIS DRAWING IS A CONTROLLED DOCUMENT. **tyco Electronics** Tyco Electronics Corporation  
 Harrisburg, Pa 17105  
 NAME: M. WALMSLEY  
 PRODUCT SPEC: -  
 APPLICATION SPEC: -  
 SIZE: A1  
 CUSTOMER DRAWING