

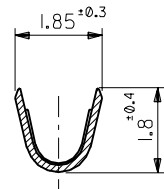
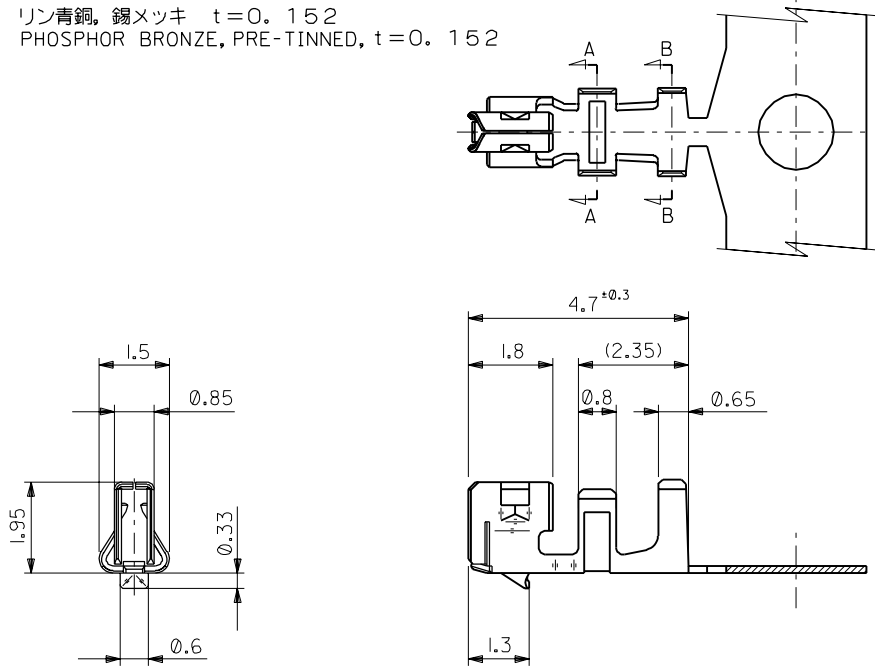
DWG. NO.
SD-50372-8*00

注記
NOTES

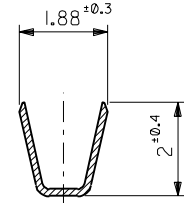
★ 1. 適用ハウジング : 51089-***05, 51090-***00
 APPLICABLE HOUSING : 51089-***05, 51090-***00

2. 材質 MATERIAL

リン青銅, 錫メッキ t=0.152
 PHOSPHOR BRONZE, PRE-TINNED, t=0.152



SECT. A-A



SECT. B-B

DIMENSIONS IN METRIC DO NOT SCALE DRAWING

50372-8100	バラ状 LOOSE
50372-8000	連鎖状 CHAIN
ENG.NO.	端子形状 FORM

材料 MATERIAL		注記参照 SEE NOTES		molex MOLEX-JAPAN CO.,LTD. 日本モレックス株式会社	
仕上げ FINISH		注記参照 SEE NOTES		REVISE ONLY ON CAD SYSTEM	
適用電線範囲 WIRE RANGE		AWG #22~#26		TITLE 名称	
被覆外径 INS. RANGE		φ 1.4MAX.		NEW 2.0 WIRE TO BOARD CONN. CRIMP RECEPTACLE	
DRAWN BY '92/9/3		CHK'D BY '92/9/4		DWG. NO.	
M.FUJIKURA		M.FUJIKURA		REV	
APP'D BY '92/9/4		M.FUJIKURA		SCALE 10:1	
M.FUJIKURA		M.FUJIKURA		SD-50372-8*00	
DR. DATE		DR. DATE		REV	
CHK. DATE		CHK. DATE		REV	

角度 ANGLE	±3°
30以上 OVER	+0.3
10以上 30未満 UNDER	+0.25
10未満 UNDER	+0.2
一般公差 GENERAL TOLERANCES	