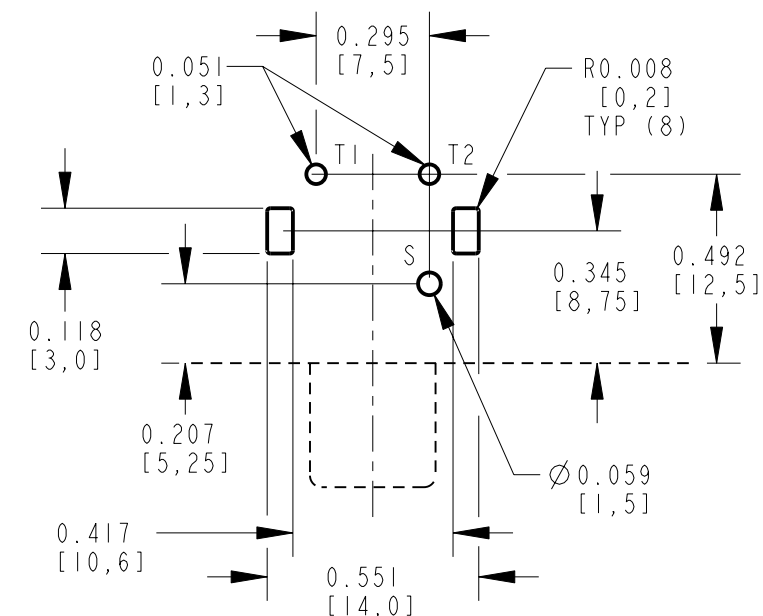
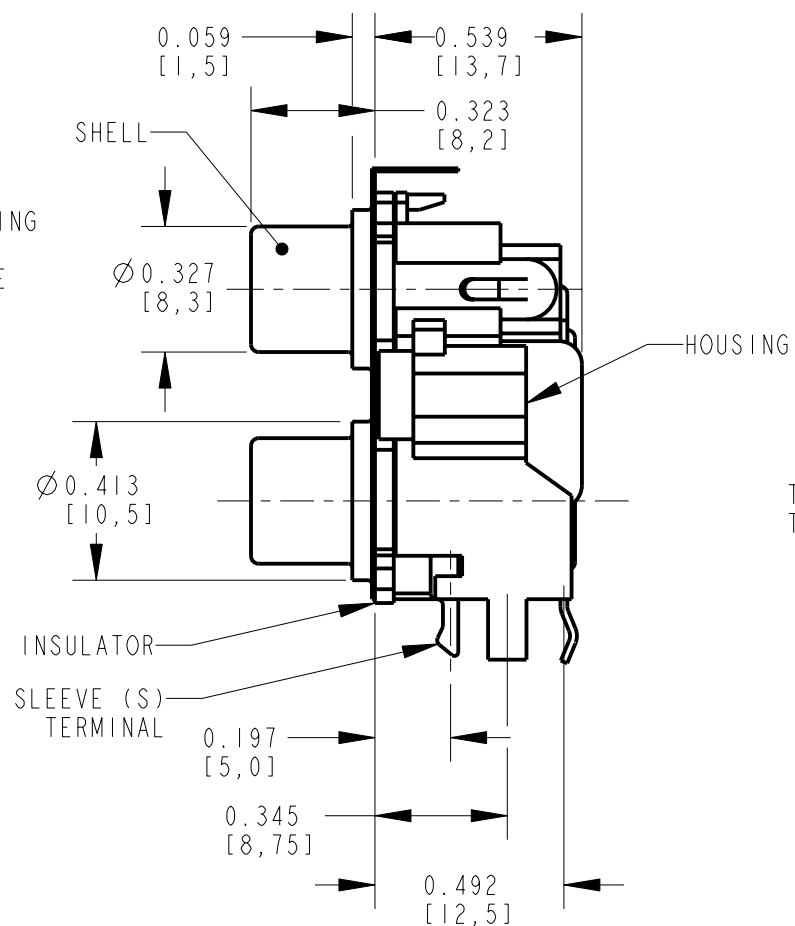
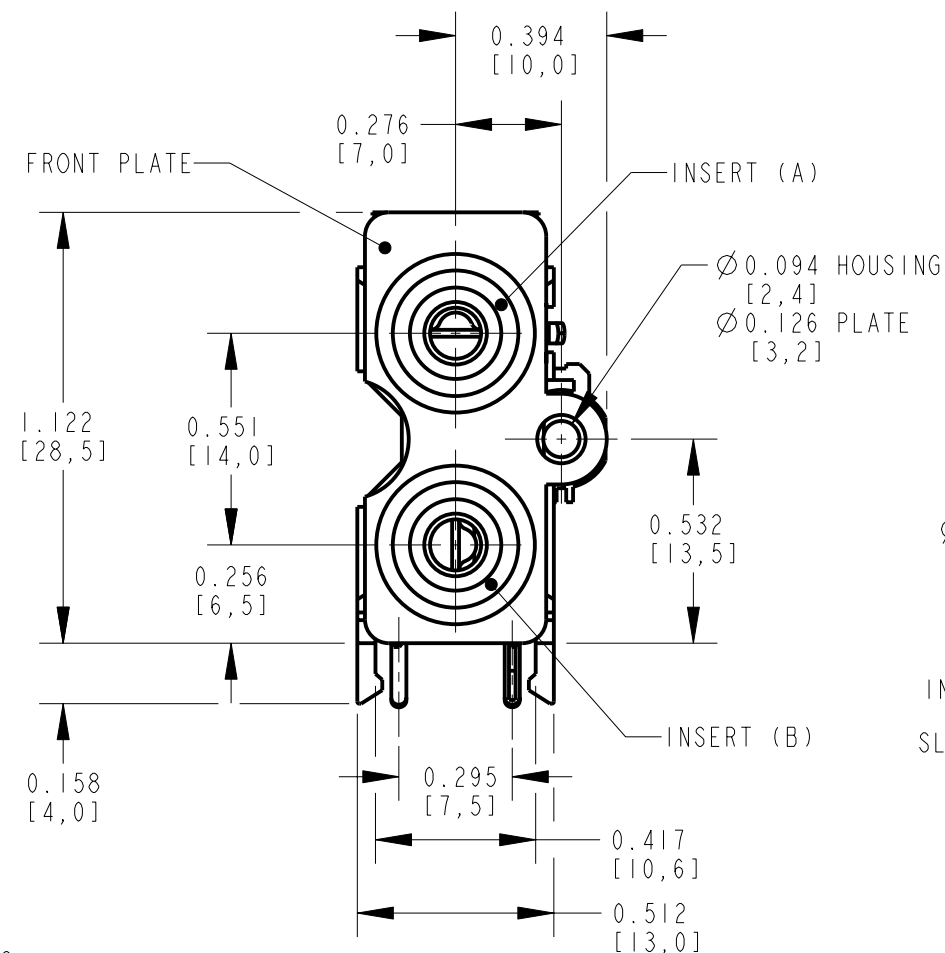
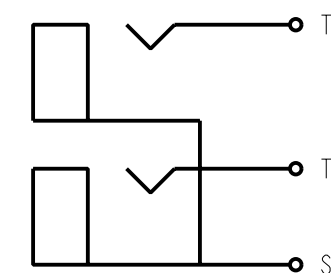
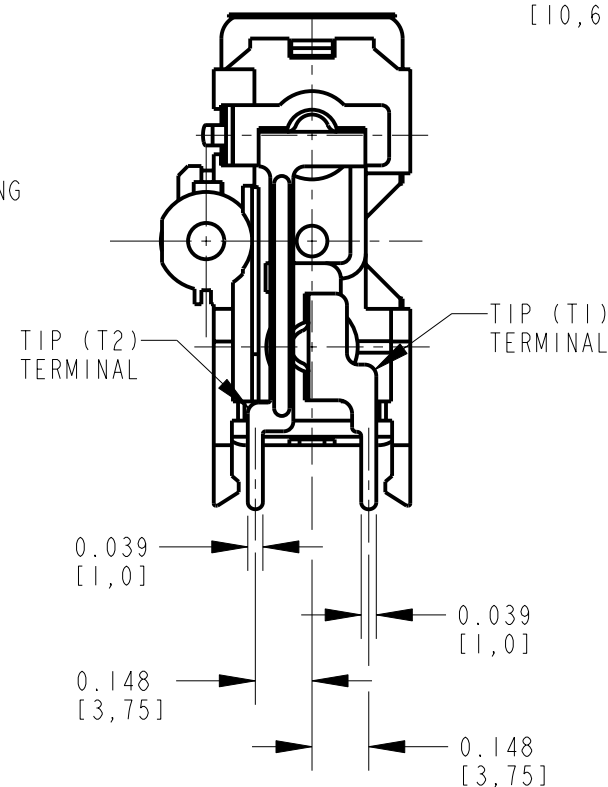


PART NUMBER	INSERT (A) AND HOUSING COLOR	INSERT (B) COLOR	SHELL AND SLEEVE TERMINAL FINISH
PJRSIX2S01X	RED	WHITE	NICKEL PLATED
PJRSIX2S01AUX	RED	WHITE	GOLD PLATED
PJRSIX2S02X	WHITE	RED	NICKEL PLATED
PJRSIX2S02AUX	WHITE	RED	GOLD PLATED
PJRSIX2S03X	BLACK	BLACK	NICKEL PLATED
PJRSIX2S04X	WHITE	YELLOW	NICKEL PLATED



P.C. BOARD LAYOUT
COMPONENT SIDE



SCHEMATIC

NOTES:

- ALL DIMENSIONS ARE REFERENCE.
- MATERIALS:
HOUSING: ABS, UL-94HB
COLOR INSERT: ABS, UL-94HB
INSULATORS: ABS, UL-94HB
SHELL & SHELL TERMINAL: COPPER ALLOY, NICKEL OR GOLD PLATED
TIP TERMINALS: COPPER ALLOY, TIN PLATED
FRONT PLATE: COPPER ALLOY, NICKEL PLATED
- THIS PART IS RoHS COMPLIANT

CUSTOMER DRAWING

					★ STAR SYMBOL DENOTES CRITICAL DIMENSION	THIS DRAWING DESCRIBES A DESIGN CONSIDERED PROPRIETARY IN NATURE, DEVELOPED AND MANUFACTURED BY SWITCHCRAFT INC. AND IS RELEASED ON A CONFIDENTIAL BASIS FOR IDENTIFICATION PURPOSES ONLY.					
					UNLESS OTHERWISE SPECIFIED	SIZE	WIDTH	MULT	LBS/M	TEMPER	
					1. ALL DIMENSIONS IN INCHES - TWO PLACE DECIMALS ±0.01 - THREE PLACE DECIMALS ±0.005 - ANGLES ±1° - ALL DIA. CONCENTRIC WITHIN 0.005 T.I.R.	FINISH		MATERIAL			
					2. FEATURES ON THE SAME CENTERLINE MUST BE ALIGNED WITHIN ±0.002	SPEC No.		SPEC No.			
					3. REMOVE ALL BURRS	FIRST USED ON		SCALE 2:1			
A	25181	1-13-06	JL	TJK	DATE DRAWN	BY	CHKD	APVD	Switchcraft [®]		
REV	ECO NUMBER	DATE	BY	APVD	13-Jan-06	JL	TJK	TJK			
REVISIONS					DO NOT SCALE DRAWING					SHEET 1 OF 1	
					NAME PHONO JACK, RIGHT ANGLE 2 POS., SCREW MOUNT, SHIELDED, RoHS					PART No. PJRSIX2S_-X SERIES	
										REV A	

Mouser Electronics

Authorized Distributor

Click to View Pricing, Inventory, Delivery & Lifecycle Information:

Switchcraft:

[PJRAS1X2S01AUX](#) [PJRAS1X2S02X](#) [PJRAS1X2S01](#) [PJRAS1X2S02AU](#) [PJRAS1X2S02AUX](#) [PJRAS1X2S01X](#)
[PJRAS1X1S07](#) [PJRAS1X2S03](#) [PJRAS1X2S04](#) [PJRAS3X2S03](#) [PJRAS3X2S04](#)