

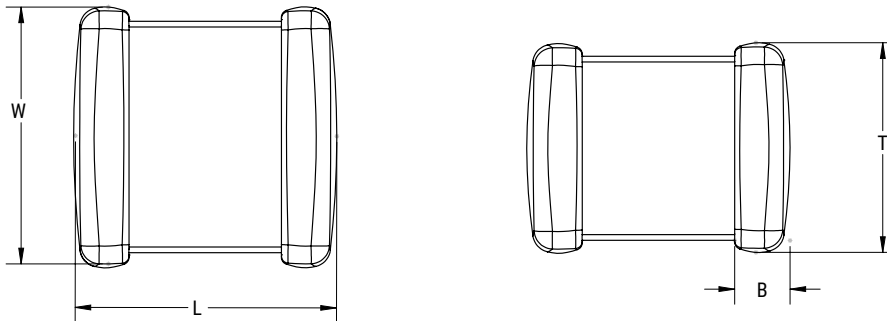
Ultra HiQ-CBR Squared Series, 0505 Case Size

High Power (0.4 – 2.0 pF)

Sample Kit Contents

| KEMET Part Number | Case Size | Capacitance | Capacitance Tolerance | Rated Voltage | Dielectric | Quantity |
|-------------------|------------|-------------|-----------------------|---------------|------------|----------|
| | EIA/Metric | pF | % | VDC | | |
| CBR05C408BAGAC | 0505/1414 | 0.4 | ±0.10 | 250 | COG | 50 |
| CBR05C508BAGAC | 0505/1414 | 0.5 | ±0.10 | 250 | COG | 50 |
| CBR05C608BAGAC | 0505/1414 | 0.6 | ±0.10 | 250 | COG | 50 |
| CBR05C708BAGAC | 0505/1414 | 0.7 | ±0.10 | 250 | COG | 50 |
| CBR05C808BAGAC | 0505/1414 | 0.8 | ±0.10 | 250 | COG | 50 |
| CBR05C908BAGAC | 0505/1414 | 0.9 | ±0.10 | 250 | COG | 50 |
| CBR05C109BAGAC | 0505/1414 | 1.0 | ±0.10 | 250 | COG | 50 |
| CBR05C119BAGAC | 0505/1414 | 1.1 | ±0.10 | 250 | COG | 50 |
| CBR05C129BAGAC | 0505/1414 | 1.2 | ±0.10 | 250 | COG | 50 |
| CBR05C139BAGAC | 0505/1414 | 1.3 | ±0.10 | 250 | COG | 50 |
| CBR05C149BAGAC | 0505/1414 | 1.4 | ±0.10 | 250 | COG | 50 |
| CBR05C159BAGAC | 0505/1414 | 1.5 | ±0.10 | 250 | COG | 50 |
| CBR05C169BAGAC | 0505/1414 | 1.6 | ±0.10 | 250 | COG | 50 |
| CBR05C179BAGAC | 0505/1414 | 1.7 | ±0.10 | 250 | COG | 50 |
| CBR05C189BAGAC | 0505/1414 | 1.8 | ±0.10 | 250 | COG | 50 |
| CBR05C199BAGAC | 0505/1414 | 1.9 | ±0.10 | 250 | COG | 50 |
| CBR05C209BAGAC | 0505/1414 | 2.0 | ±0.10 | 250 | COG | 50 |

Dimensions – Millimeters (Inches)



| Case Size (in.) | Case Size (mm) | L Length | W Width | T Thickness | B Bandwidth | Mounting Technique |
|-----------------|----------------|--|----------------------------|----------------------------|---------------------------------------|--------------------|
| 0505 | 1414 | 1.40+0.38/-0.25 (0.055+0.015/-0.01) | 1.40±0.38 (0.055±0.015) | 1.15±0.15 (0.045±0.006) | 0.25+0.25-0.13 (0.010+0.010-0.005) | Solder Reflow Only |