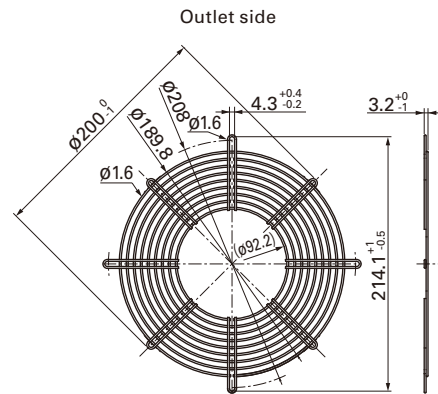
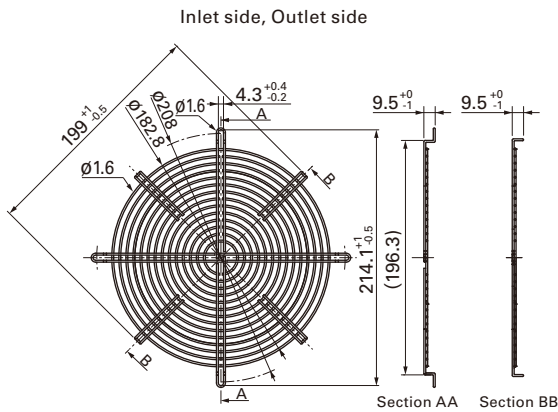


Increases safety by preventing foreign objects from entering fans. Fans can be used with little effect on airflow and static pressure.

ø200 mm type

Model no.	Surface treatment	Mass (g)	Applicable model no.
109-1102	Nickel-chrome plating (silver)	100	9GV20*

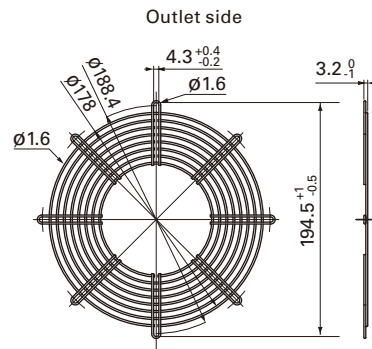
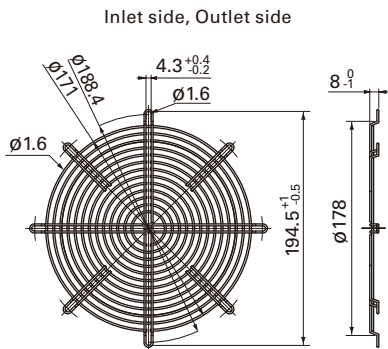
Model no.	Surface treatment	Mass (g)	Applicable model no.
109-1103	Nickel-chrome plating (silver)	80	9GV20*



ø200 mm type

Model no.	Surface treatment	Mass (g)	Applicable model no.
109-720	Nickel-chrome plating (silver)	84	109E20*
109-720H	Cation electropainting (black)		9EC20*

Model no.	Surface treatment	Mass (g)	Applicable model no.
109-721	Nickel-chrome plating (silver)	66	109E20*
109-721H	Cation electropainting (black)		9EC20*



Mounting example

Axial fan

