

PRODUCT NUMBER

SEE P/N SCHEME

NOTE:

- MATERIAL:
HOUSING: LCP, UL94V-0, HALOGEN FREE, COLOR: OPTION
CONTACT: COPPER ALLOY.
METAL HARPOON: BRASS
- CONTACT FINISH: NICKEL 50u" Min. UNDERPLATED OVERALL.
OPTIONAL PLATING ON CONTACT AREA, 100u" MIN MATTE TIN ON SOLDER TAIL.
METAL HARPOON FINISH: 100u" MIN MATTE TIN OVER 50u" Min. NICKEL
- REFER GS-20-0399 APPLICATION SPECIFICATION FOR MATING CONNECTOR.
- PRODUCT SPECIFICATION: GS-12-1177.
- PACKAGE SPECIFICATION: GS-14-2359.
- APPLICATION SPECIFICATION: GS-20-0399
- THE HOUSING WILL WITHSTAND EXPOSURE TO 260°C PEAK TEMPERATURE FOR 10 SECONDS IN A REFLOW OVEN.
- THE HOUSING WILL WITHSTAND EXPOSURE TO 260°C PEAK TEMPERATURE FOR 5 SECONDS IN A WAVE SOLDER
- LEAD FREE PRODUCTS MEET EUROPEAN UNION DIRECTIVES AND OTHER COUNTRY REGULATIONS AS DESCRIBED IN GS-47-0004
- PART NUMBER SCHEME:
10127721- XX X X X X LF

POS. CODE:
02: 2 POS
04: 4 POS
8: 8 POS
16: 16 POS
24: 24 POS

LEAD FREE
PACKAGE:
BLANK: TRAY
R: TAPE AND REEL WITH CAP
T: TAPE AND REEL WITHOUT CAP

ACCESSORIES:
BLANK: WITHOUT METAL HOLD DOWN
H: WITH METAL HOLD DOWN

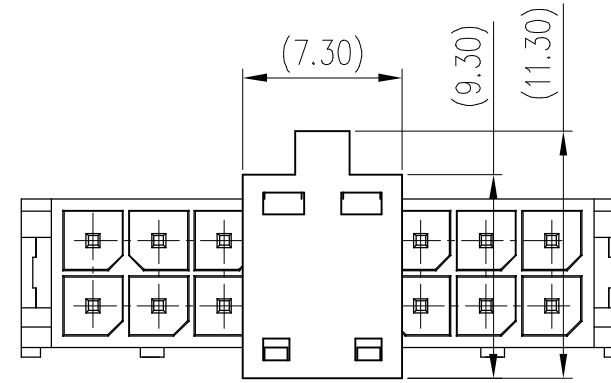
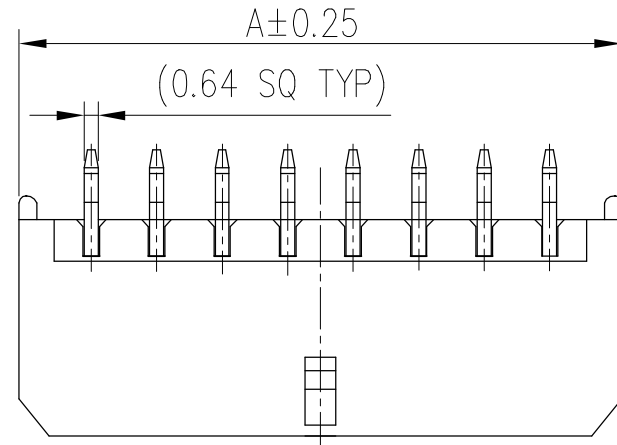
GLOW WIRE COMPATIBLE:
BLANK: NON-COMPATIBLE, BLACK
G: COMPATIBLE, BLACK
N: NON-COMPATIBLE, NATURAL
S: COMPATIBLE, NATURAL

CONTACT CODE:

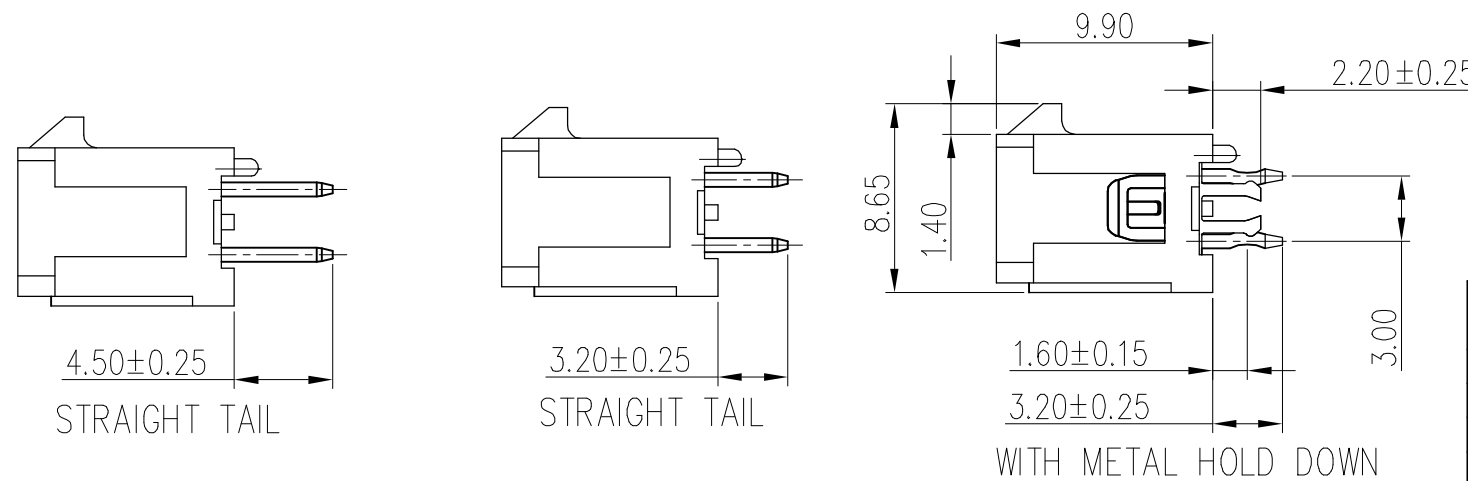
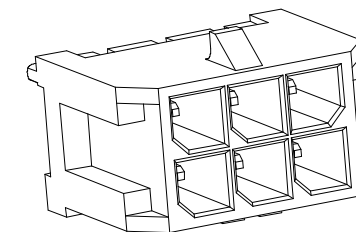
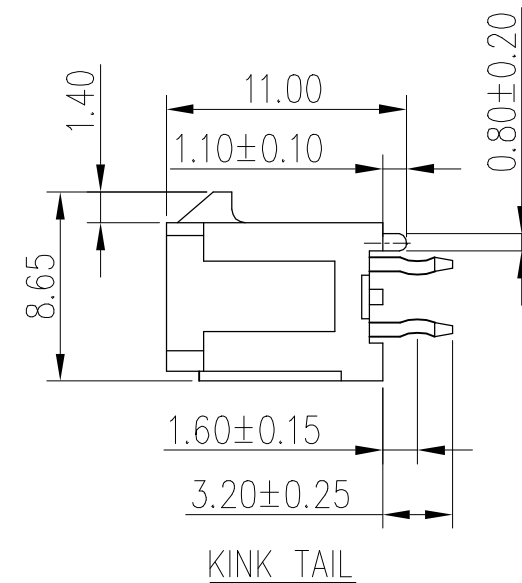
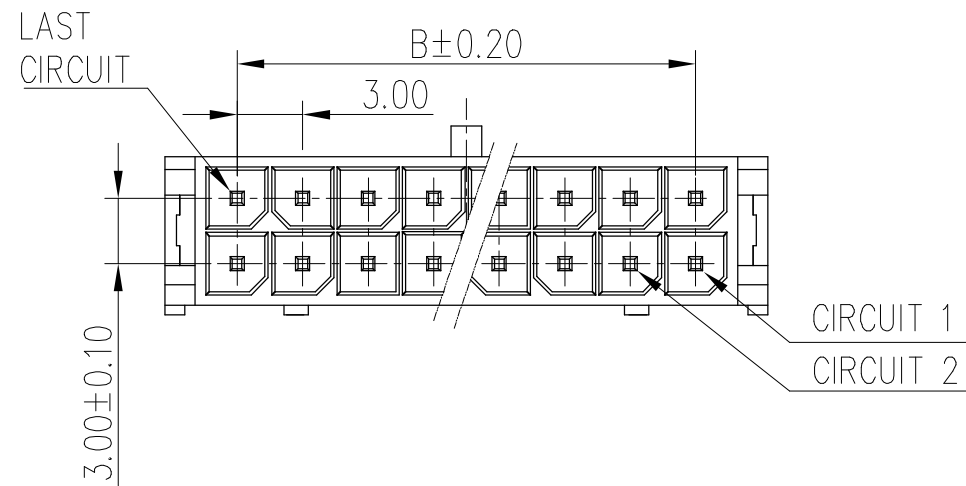
- 3.20mm KINK TAIL, 100u"Min MATTE TIN OVERALL
- 3.20mm KINK TAIL, GOLD FLASH OVERALL
- 3.20mm KINK TAIL, 15u"Min Au ON CONTACT AREA, 100u"Min MATTE TIN ON SOLDER TAIL
- 3.20mm KINK TAIL, 30u" Au ON CONTACT AREA, 100u"Min MATTE TIN ON SOLDER TAIL
- 3.20mm STRAIGHT TAIL, G/F ON CONTACT AREA, 100u" MIN MATTE TIN ON SOLDER TAIL
- 4.50mm STRAIGHT TAIL, 100u" Min MATTE TIN OVERALL
- 3.20mm STRAIGHT TAIL, 100u" Min MATTE TIN OVERALL

P/N & DIMENSION TABLE:

P/N	POS	A	B
10127721-02XXXXLF	2	6.60	--
10127721-04XXXXLF	4	9.60	3.00
10127721-06XXXXLF	6	12.60	6.00
10127721-08XXXXLF	8	15.60	9.00
10127721-10XXXXLF	10	18.60	12.00
10127721-12XXXXLF	12	21.60	15.00
10127721-14XXXXLF	14	24.60	18.00
10127721-16XXXXLF	16	27.60	21.00
10127721-18XXXXLF	18	30.60	24.00
10127721-20XXXXLF	20	33.60	27.00
10127721-22XXXXLF	22	36.60	30.00
10127721-24XXXXLF	24	39.60	33.00



SHOWN WITH DISPOSABLE CAP



mat'l. code		surface		tolerance		projection		product family	
		ISO 1302 ✓		ISO 406 ISO 1101		mm		MINITEK PWR3.0	
ltr		ecn no		dr		date		title	
H		ELX-N-30134		TONY		2018-07-24		DUAL ROW, VERTICAL DIP TYPE	
J		ELX-N-31205		TONY		2018-09-07		MINITEK 3.0 STANDARD HEADER	
K		ELX-I-43460		AKHIL		2022-01-21		dwg no	
				dr		KENNY TAI 2013-10-21		sheet 1 of 2	
				eng		AKHIL RAJAN 2022-01-21		size	
				chr		MITHUN PAUL 2022-01-21		10127721	
				appd		SPK 2022-01-21		A3	
sheet		revision		K		K		type	
index		sheet		1		2		Product Customer Drawing	

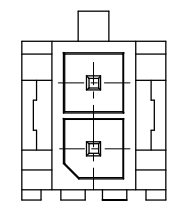
Amphenol FCI

© 2016 AFCI

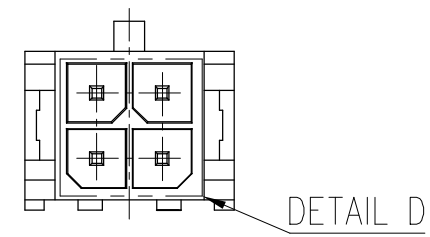


Amphenol
FCi

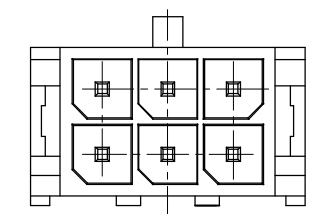
© 2016 AFci



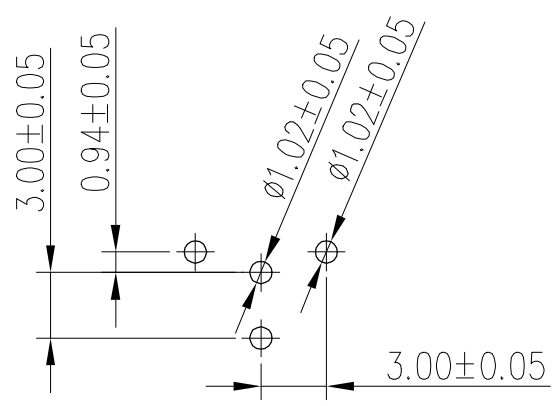
2 POSITIONS



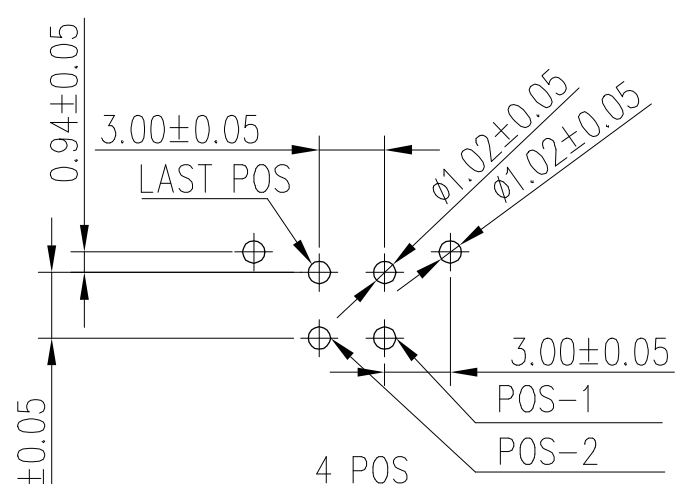
4 POSITIONS



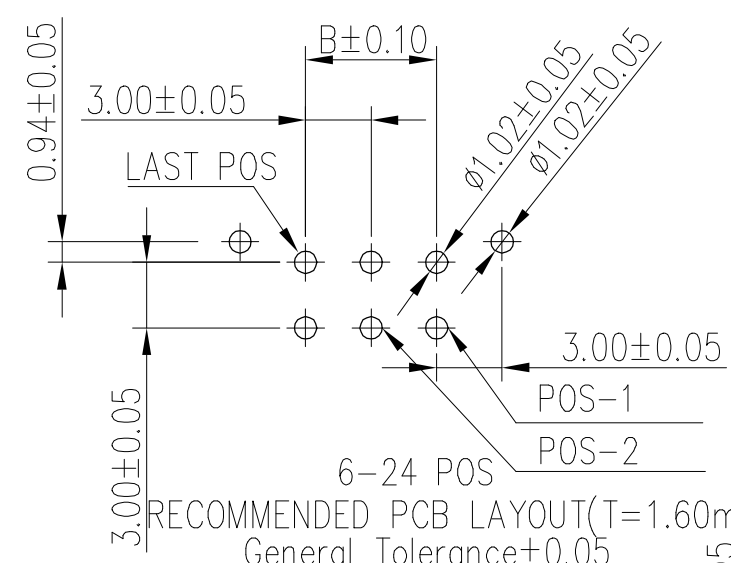
6 POSITIONS



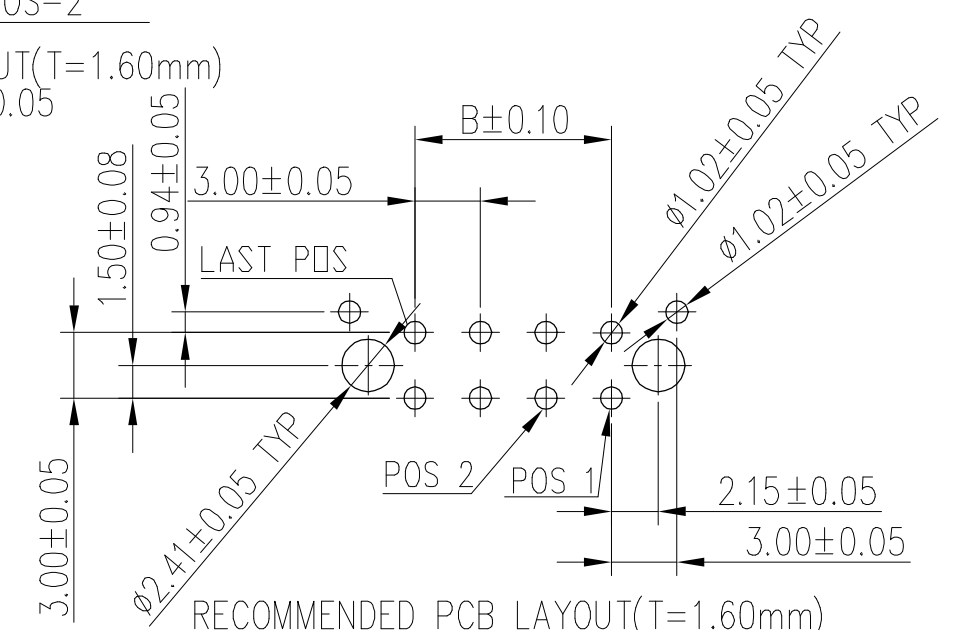
2 POS
RECOMMENDED PCB LAYOUT(T=1.60mm)
General Tolerance±0.05



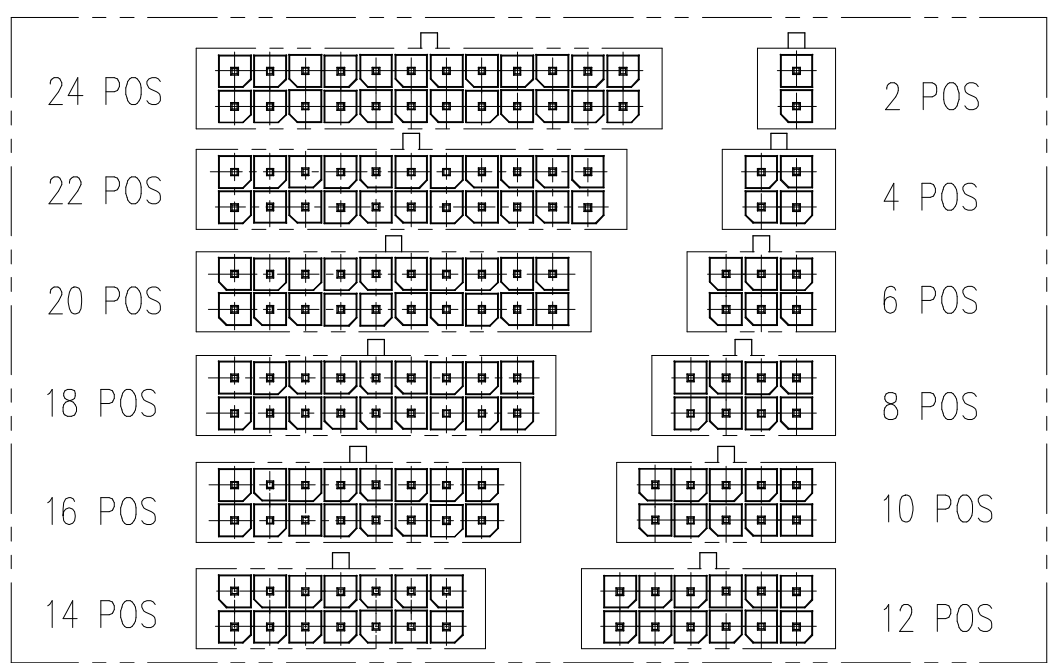
4 POS
RECOMMENDED PCB LAYOUT(T=1.60mm)
General Tolerance±0.05



6-24 POS
RECOMMENDED PCB LAYOUT(T=1.60mm)
General Tolerance±0.05



RECOMMENDED PCB LAYOUT(T=1.60mm)
02~24POS (W/HOLD DOWN)
General Tolerance±0.05



DETAIL D

mat'l. code		surface		tolerance		projection		product family	
		ISO 1302 ✓		ISO 406 ISO 1101				MINITEK PWR3.0	
ltr		ecn no		dr		date		title	
								DUAL ROW, VERTICAL DIP TYPE	
				angles		linear		MINITEK 3.0 STANDARD HEADER	
				0°±2'				dwg no	
				dr		KENNY TAI 2013-10-21		sheet 2 of 2	
				eng		AKHIL RAJAN 2022-01-21		size	
				chr		MITHUN PAUL 2022-01-21		A3	
				appd		SPK 2022-01-21		type	
								Product Customer Drawing	
sheet index		revision sheet		K 1		K 2			