

Features

- Pneumatic
- 1500Btu/h
- Cools 2m volume
- 5 – 7bar pressure
- 35CFM Flow rate

RS PRO 1500Btu/h 35cfm Pneumatic Cabinet Cooler

RS Stock No.: 291-5386



RS PRO is the own brand of RS. The RS PRO Seal of Approval is your assurance of professional quality, a guarantee that every part is rigorously tested, inspected, and audited against demanding standards. Making RS PRO the Smart Choice for our customers.

Product Description

The cooler will cool cabinet volumes of up to 2 m³. It uses normal compressed air at 5-7 bar and can handle a maximum flow rate of 35 CFM (cubic feet per minute), with a maximum cooling capacity of 1,500 Btu/h (British thermal units/hour). It's silenced for quiet operation and its body is made from corrosion-resistant stainless steel with no moving parts, making it easy to maintain. Air flows into the cooler through a 1/4 in BSP (British Standard Pipe) inlet and is cooled before being piped into the cabinet through ducting (supplied with the cooler).

General Specifications

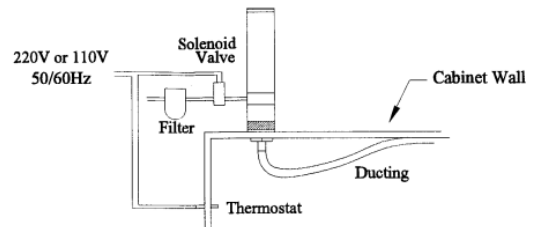
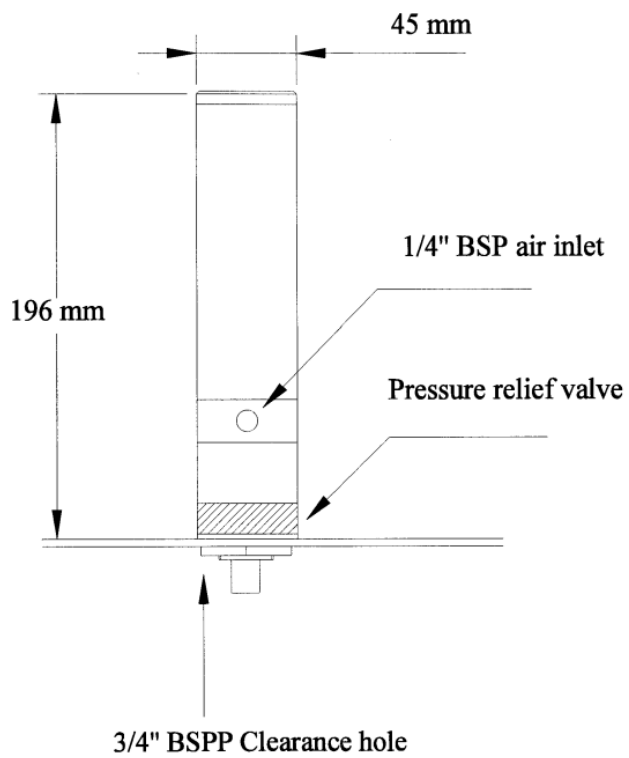
Type	Pneumatic
Pressure	5 – 7 bar
Maximum Flow Rate	35 CFM
Maximum Cooling Capacity	1,500 Btu/h
Material	Stainless Steel

Mechanical Specifications

Air Inlet	1/4in BSP
Mounting	3/4in BSPP Clearance Hole
Diameter	300mm
Length	196mm

Approvals

Declarations	ANSI/ESD S20.20:2014, BS EN 61340-5-1:2007 Electrostatic Control Standards
--------------	--



70025 CABINET COOLER