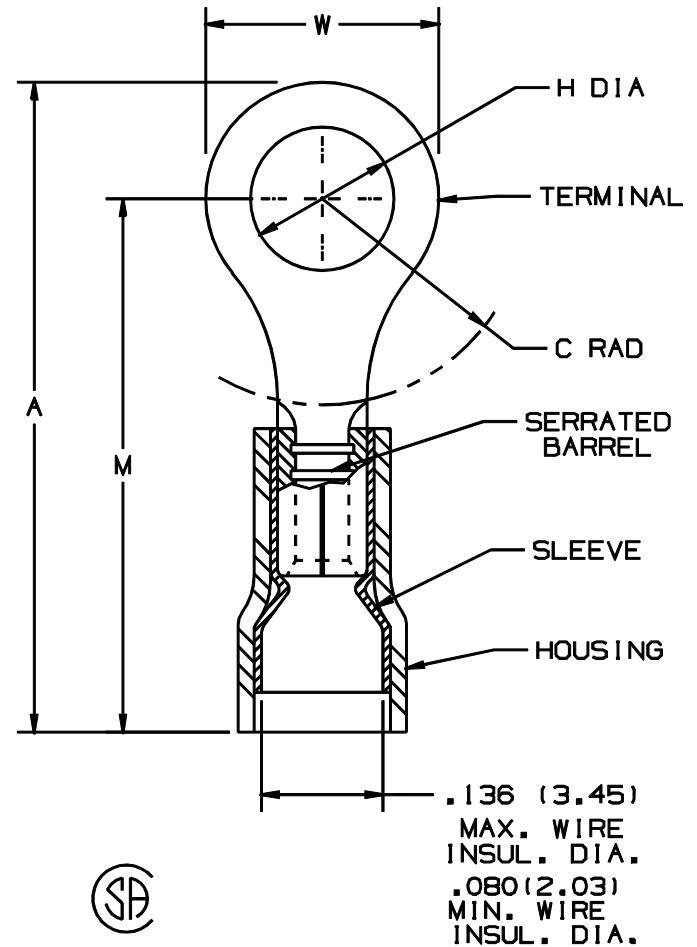


THIS COPY IS PROVIDED ON A RESTRICTED BASIS AND IS NOT TO BE USED IN ANY WAY DETRIMENTAL TO THE INTERESTS OF PANDUIT CORP.

PANDUIT PART NUMBER	STUD SIZE	DIMENSIONS in.				
		A ^{±.03}	W ^{±.01}	C ^{±.02}	M ^{±.03}	H ^{±.01}
PNF18-4R	#4	.77 (19.56)	.25 (6.35)	.20 (5.08)	.65 (16.51)	.12 (3.05)
PNF18-6R	#6	.77 (19.56)	.25 (6.35)	.20 (5.08)	.65 (16.51)	.15 (3.81)
PNF18-6RN	#6	.76 (19.30)	.22 (5.59)	.18 (4.57)	.63 (16.00)	.15 (3.81)
PNF18-8R	#8	.87 (22.10)	.31 (7.87)	.24 (6.10)	.72 (18.29)	.17 (4.32)
PNF18-10R	#10	.87 (22.10)	.32 (8.13)	.25 (6.35)	.72 (18.29)	.20 (5.08)
PNF18-14R	1/4"	1.08 (27.43)	.46 (11.68)	.38 (9.65)	.85 (21.59)	.27 (6.86)
PNF18-56R	5/16"	1.08 (27.43)	.46 (11.68)	.39 (9.91)	.85 (21.59)	.34 (8.64)
PNF18-38R	3/8"	1.16 (29.46)	.53 (13.46)	.41 (10.41)	.90 (22.86)	.40 (10.16)

NOTES:

- UL LISTED AND CSA CERTIFIED FOR:
 - 600V. MAX. VOLTAGE RATING (1000V. MAX. IN SIGNS, FIXTURES AND LUMINARIES)
 - #22-16 AWG SOLID OR STRANDED COPPER WIRE
 - 221° F (105° C) MAX. TEMP. RATING
- MATERIAL:
 - STAMPING - .032" (0.81) THK COPPER, TIN PLATED
 - HOUSING - NYLON, RED
 - SLEEVE - BRASS, TIN PLATED
- PACKAGE QTY: STD. PKG. - C=100
BULK PKG. - M=1000
- DIMENSIONS IN BRACKETS ARE IN MILLIMETERS
- INSTALLATION TOOLS:
 - UL LISTED AND CSA CERTIFIED: CT-100*, CT-250*, CT-400 (U.L. ONLY), CT-500, CT-550, CT-1550, CT-1551
 - PANDUIT APPROVED: CT-160*, CT-260*
- WIRE STRIP LENGTH: 7/32 ^{+1/32}/₀ (5.6 ^{±.0}/₀) * FOR USE WITH 22-18 AWG WIRE RANGE



LISTED 587H E52164
CERTIFIED LR31212

.136 (3.45)
MAX. WIRE
INSUL. DIA.
.080 (2.03)
MIN. WIRE
INSUL. DIA.

A41275_05

05	1/01	RM		FILESPEC WAS N41275AA_PCD_04							
4	12/96	JAME		ADDED DIM. "MIN WIRE INSUL. DIA." UPDATE NOTES	08788						
3	3/95	MS	RLS	UPDATED NOTES AND DIMENSIONS	03079	JB	LA	#22-18 BARREL NYLON INSULATED, FUNNELED WIRE ENTRY RING TONGUE, .136 (3.45) DIA. MAX. WIRE INSULATION DIAMETER			
2	12-88	DM	LM	CORRECTED HOUSING MAT'L		JB	LM				
REV	DATE	BY	CHK	DESCRIPTION	ECN	PM	CUST	DRAWN BY DAW	CHK'D LM	SCALE NONE	DRAWING NO A41275

PANDUIT

CORP.

TINLEY PARK, ILLINOIS

Mouser Electronics

Authorized Distributor

Click to View Pricing, Inventory, Delivery & Lifecycle Information:

Panduit:

[PNF18-10R-M](#) [PNF18-56R-M](#) [PNF18-14R-M](#) [PNF18-6R-M](#) [PNF18-8R-M](#)