

Series 80 Mighty Mouse Thread-On BAND-IT® Adapter Ordering Information

440MS135, 440MK135 and 440ML135



BAND-IT® Strap
Microband 600-057-1



Installed

Add a boot or overmold for environmental protection

These thread-on adapters are used with **BAND-IT® micro band** shield termination straps. Choose the smallest cable entry for your wire bundle. **Straight Entry** adapters are available in various lengths. **45° and 90°** adapters feature rotatable coupling nuts.



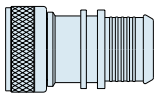
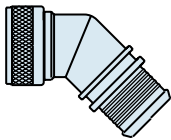
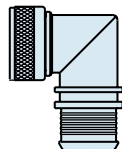
Micro Band Tool
600-061

MATERIALS

| | |
|--------------|----------------------------------|
| Nut, Adapter | Aluminum Alloy or 300 Series SST |
| Band | 300 Series SST |
| O-Ring | Silicone Elastomer |

HOW TO ORDER

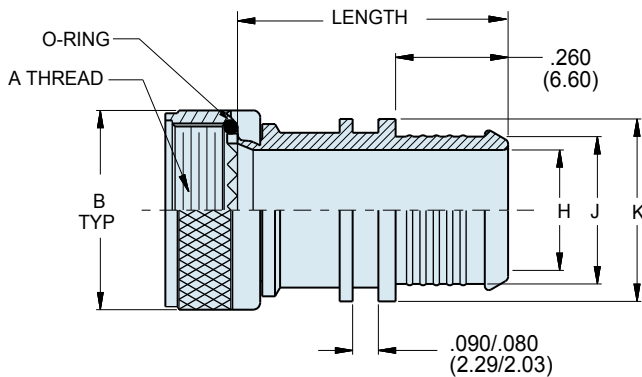
Sample Part Number

| 440MS135 | M | 07 | 05- | 6 | K | | | | | | | | | | | | | | | | | | | | | | | | | | | | | | | | | | | | | | | | | | | | | | | | | | | | | | | | | | | | | | | | | | | | | | | | | | | | | | | | | | | | | | | | | | | | | | | | | | |
|--|--|---|------------------|-------------|-------------|----------|----|----------|----|----------|----|----------|----|----------|----|----------|----|----------|----|----------|----|----------|----|----------|----|-----------|--|------------------|------------------------|---------------------|-----|------|-------|-----|------|-------|-----|------|-------|-----|------|-------|-----|------|-------|-----|------|-------|-----|------|-------|-----|------|-------|-----|------|-------|-----|------|-------|-----|------|-------|-----|------|-------|-----|------|-------|---|-------------|-----------------|---|------|---|------|---|-------|---|-------|----|-------|----|-------|----|-------|----|-------|----|-------|----|-------|----|-------|----|-------|----|-------|----|-------|----|-------|---|
| Part Number | Shell Material / Finish | Size Code | Cable Entry Size | Length | Band Option | | | | | | | | | | | | | | | | | | | | | | | | | | | | | | | | | | | | | | | | | | | | | | | | | | | | | | | | | | | | | | | | | | | | | | | | | | | | | | | | | | | | | | | | | | | | | | | | | | |
|  440MS135 Straight Entry | <p>C Aluminum / Black Anodize (Non-Conductive) RoHS Compliant</p> <p>M Aluminum / Electroless Nickel RoHS Compliant</p> <p>NF Aluminum / Cadmium with Olive Drab Chromate</p> <p>ZN Aluminum / Zinc-Nickel with Olive Drab Chromate</p> <p>ZNU Aluminum / Zinc-Nickel with Black Chromate</p> <p>MT Aluminum / Nickel-PTFE RoHS Compliant</p> <p>Z1 Stainless Steel / Passivated RoHS Compliant</p> | <table border="1"> <thead> <tr> <th>Size Code</th> <th>Thread Size</th> </tr> </thead> <tbody> <tr><td>05</td><td>.2500-32</td></tr> <tr><td>06</td><td>.3125-32</td></tr> <tr><td>11</td><td>.3750-32</td></tr> <tr><td>07</td><td>.4375-28</td></tr> <tr><td>08</td><td>.5000-28</td></tr> <tr><td>09</td><td>.5625-24</td></tr> <tr><td>10</td><td>.6250-24</td></tr> <tr><td>12</td><td>.6875-24</td></tr> <tr><td>13</td><td>.7500-20</td></tr> <tr><td>14</td><td>.9375-20</td></tr> <tr><td>17</td><td>1.1875-18</td></tr> </tbody> </table> | Size Code | Thread Size | 05 | .2500-32 | 06 | .3125-32 | 11 | .3750-32 | 07 | .4375-28 | 08 | .5000-28 | 09 | .5625-24 | 10 | .6250-24 | 12 | .6875-24 | 13 | .7500-20 | 14 | .9375-20 | 17 | 1.1875-18 | <table border="1"> <thead> <tr> <th>Cable Entry Code</th> <th>Cable Entry Dia. (In.)</th> <th>Use With Size Codes</th> </tr> </thead> <tbody> <tr><td>02-</td><td>.125</td><td>05-17</td></tr> <tr><td>03-</td><td>.188</td><td>05-17</td></tr> <tr><td>04-</td><td>.250</td><td>06-17</td></tr> <tr><td>05-</td><td>.312</td><td>07-17</td></tr> <tr><td>06-</td><td>.375</td><td>07-17</td></tr> <tr><td>07-</td><td>.438</td><td>08-17</td></tr> <tr><td>08-</td><td>.500</td><td>09-17</td></tr> <tr><td>09-</td><td>.562</td><td>10-17</td></tr> <tr><td>10-</td><td>.625</td><td>12-17</td></tr> <tr><td>11-</td><td>.688</td><td>14-17</td></tr> <tr><td>12-</td><td>.750</td><td>14-17</td></tr> <tr><td>13-</td><td>.812</td><td>14-17</td></tr> <tr><td>14-</td><td>.875</td><td>14-17</td></tr> </tbody> </table> | Cable Entry Code | Cable Entry Dia. (In.) | Use With Size Codes | 02- | .125 | 05-17 | 03- | .188 | 05-17 | 04- | .250 | 06-17 | 05- | .312 | 07-17 | 06- | .375 | 07-17 | 07- | .438 | 08-17 | 08- | .500 | 09-17 | 09- | .562 | 10-17 | 10- | .625 | 12-17 | 11- | .688 | 14-17 | 12- | .750 | 14-17 | 13- | .812 | 14-17 | 14- | .875 | 14-17 | <p>Straight Entry 440MS135 Only</p> <table border="1"> <thead> <tr> <th>Length Code</th> <th>Length (Inches)</th> </tr> </thead> <tbody> <tr><td>6</td><td>.750</td></tr> <tr><td>7</td><td>.875</td></tr> <tr><td>8</td><td>1.000</td></tr> <tr><td>9</td><td>1.125</td></tr> <tr><td>10</td><td>1.250</td></tr> <tr><td>11</td><td>1.375</td></tr> <tr><td>12</td><td>1.500</td></tr> <tr><td>13</td><td>1.625</td></tr> <tr><td>14</td><td>1.750</td></tr> <tr><td>15</td><td>1.875</td></tr> <tr><td>16</td><td>2.000</td></tr> <tr><td>17</td><td>2.125</td></tr> <tr><td>18</td><td>2.250</td></tr> <tr><td>19</td><td>2.375</td></tr> <tr><td>20</td><td>2.500</td></tr> </tbody> </table> <p>Specify Length in increments of .125 inches (3.18 mm.)</p> | Length Code | Length (Inches) | 6 | .750 | 7 | .875 | 8 | 1.000 | 9 | 1.125 | 10 | 1.250 | 11 | 1.375 | 12 | 1.500 | 13 | 1.625 | 14 | 1.750 | 15 | 1.875 | 16 | 2.000 | 17 | 2.125 | 18 | 2.250 | 19 | 2.375 | 20 | 2.500 | <p>Omit for no band supplied</p> <p>K Adapter is supplied with BAND-IT® shield termination band, pre-coiled</p> |
| | | | Size Code | Thread Size | | | | | | | | | | | | | | | | | | | | | | | | | | | | | | | | | | | | | | | | | | | | | | | | | | | | | | | | | | | | | | | | | | | | | | | | | | | | | | | | | | | | | | | | | | | | | | | | | | | |
| | | | 05 | .2500-32 | | | | | | | | | | | | | | | | | | | | | | | | | | | | | | | | | | | | | | | | | | | | | | | | | | | | | | | | | | | | | | | | | | | | | | | | | | | | | | | | | | | | | | | | | | | | | | | | | | | |
| | | | 06 | .3125-32 | | | | | | | | | | | | | | | | | | | | | | | | | | | | | | | | | | | | | | | | | | | | | | | | | | | | | | | | | | | | | | | | | | | | | | | | | | | | | | | | | | | | | | | | | | | | | | | | | | | |
| | | | 11 | .3750-32 | | | | | | | | | | | | | | | | | | | | | | | | | | | | | | | | | | | | | | | | | | | | | | | | | | | | | | | | | | | | | | | | | | | | | | | | | | | | | | | | | | | | | | | | | | | | | | | | | | | |
| | | | 07 | .4375-28 | | | | | | | | | | | | | | | | | | | | | | | | | | | | | | | | | | | | | | | | | | | | | | | | | | | | | | | | | | | | | | | | | | | | | | | | | | | | | | | | | | | | | | | | | | | | | | | | | | | |
| | | | 08 | .5000-28 | | | | | | | | | | | | | | | | | | | | | | | | | | | | | | | | | | | | | | | | | | | | | | | | | | | | | | | | | | | | | | | | | | | | | | | | | | | | | | | | | | | | | | | | | | | | | | | | | | | |
| | | | 09 | .5625-24 | | | | | | | | | | | | | | | | | | | | | | | | | | | | | | | | | | | | | | | | | | | | | | | | | | | | | | | | | | | | | | | | | | | | | | | | | | | | | | | | | | | | | | | | | | | | | | | | | | | |
| | | | 10 | .6250-24 | | | | | | | | | | | | | | | | | | | | | | | | | | | | | | | | | | | | | | | | | | | | | | | | | | | | | | | | | | | | | | | | | | | | | | | | | | | | | | | | | | | | | | | | | | | | | | | | | | | |
| | | | 12 | .6875-24 | | | | | | | | | | | | | | | | | | | | | | | | | | | | | | | | | | | | | | | | | | | | | | | | | | | | | | | | | | | | | | | | | | | | | | | | | | | | | | | | | | | | | | | | | | | | | | | | | | | |
| 13 | .7500-20 | | | | | | | | | | | | | | | | | | | | | | | | | | | | | | | | | | | | | | | | | | | | | | | | | | | | | | | | | | | | | | | | | | | | | | | | | | | | | | | | | | | | | | | | | | | | | | | | | | | | | | |
| 14 | .9375-20 | | | | | | | | | | | | | | | | | | | | | | | | | | | | | | | | | | | | | | | | | | | | | | | | | | | | | | | | | | | | | | | | | | | | | | | | | | | | | | | | | | | | | | | | | | | | | | | | | | | | | | |
| 17 | 1.1875-18 | | | | | | | | | | | | | | | | | | | | | | | | | | | | | | | | | | | | | | | | | | | | | | | | | | | | | | | | | | | | | | | | | | | | | | | | | | | | | | | | | | | | | | | | | | | | | | | | | | | | | | |
| Cable Entry Code | Cable Entry Dia. (In.) | Use With Size Codes | | | | | | | | | | | | | | | | | | | | | | | | | | | | | | | | | | | | | | | | | | | | | | | | | | | | | | | | | | | | | | | | | | | | | | | | | | | | | | | | | | | | | | | | | | | | | | | | | | | | | |
| 02- | .125 | 05-17 | | | | | | | | | | | | | | | | | | | | | | | | | | | | | | | | | | | | | | | | | | | | | | | | | | | | | | | | | | | | | | | | | | | | | | | | | | | | | | | | | | | | | | | | | | | | | | | | | | | | | |
| 03- | .188 | 05-17 | | | | | | | | | | | | | | | | | | | | | | | | | | | | | | | | | | | | | | | | | | | | | | | | | | | | | | | | | | | | | | | | | | | | | | | | | | | | | | | | | | | | | | | | | | | | | | | | | | | | | |
| 04- | .250 | 06-17 | | | | | | | | | | | | | | | | | | | | | | | | | | | | | | | | | | | | | | | | | | | | | | | | | | | | | | | | | | | | | | | | | | | | | | | | | | | | | | | | | | | | | | | | | | | | | | | | | | | | | |
| 05- | .312 | 07-17 | | | | | | | | | | | | | | | | | | | | | | | | | | | | | | | | | | | | | | | | | | | | | | | | | | | | | | | | | | | | | | | | | | | | | | | | | | | | | | | | | | | | | | | | | | | | | | | | | | | | | |
| 06- | .375 | 07-17 | | | | | | | | | | | | | | | | | | | | | | | | | | | | | | | | | | | | | | | | | | | | | | | | | | | | | | | | | | | | | | | | | | | | | | | | | | | | | | | | | | | | | | | | | | | | | | | | | | | | | |
| 07- | .438 | 08-17 | | | | | | | | | | | | | | | | | | | | | | | | | | | | | | | | | | | | | | | | | | | | | | | | | | | | | | | | | | | | | | | | | | | | | | | | | | | | | | | | | | | | | | | | | | | | | | | | | | | | | |
| 08- | .500 | 09-17 | | | | | | | | | | | | | | | | | | | | | | | | | | | | | | | | | | | | | | | | | | | | | | | | | | | | | | | | | | | | | | | | | | | | | | | | | | | | | | | | | | | | | | | | | | | | | | | | | | | | | |
| 09- | .562 | 10-17 | | | | | | | | | | | | | | | | | | | | | | | | | | | | | | | | | | | | | | | | | | | | | | | | | | | | | | | | | | | | | | | | | | | | | | | | | | | | | | | | | | | | | | | | | | | | | | | | | | | | | |
| 10- | .625 | 12-17 | | | | | | | | | | | | | | | | | | | | | | | | | | | | | | | | | | | | | | | | | | | | | | | | | | | | | | | | | | | | | | | | | | | | | | | | | | | | | | | | | | | | | | | | | | | | | | | | | | | | | |
| 11- | .688 | 14-17 | | | | | | | | | | | | | | | | | | | | | | | | | | | | | | | | | | | | | | | | | | | | | | | | | | | | | | | | | | | | | | | | | | | | | | | | | | | | | | | | | | | | | | | | | | | | | | | | | | | | | |
| 12- | .750 | 14-17 | | | | | | | | | | | | | | | | | | | | | | | | | | | | | | | | | | | | | | | | | | | | | | | | | | | | | | | | | | | | | | | | | | | | | | | | | | | | | | | | | | | | | | | | | | | | | | | | | | | | | |
| 13- | .812 | 14-17 | | | | | | | | | | | | | | | | | | | | | | | | | | | | | | | | | | | | | | | | | | | | | | | | | | | | | | | | | | | | | | | | | | | | | | | | | | | | | | | | | | | | | | | | | | | | | | | | | | | | | |
| 14- | .875 | 14-17 | | | | | | | | | | | | | | | | | | | | | | | | | | | | | | | | | | | | | | | | | | | | | | | | | | | | | | | | | | | | | | | | | | | | | | | | | | | | | | | | | | | | | | | | | | | | | | | | | | | | | |
| Length Code | Length (Inches) | | | | | | | | | | | | | | | | | | | | | | | | | | | | | | | | | | | | | | | | | | | | | | | | | | | | | | | | | | | | | | | | | | | | | | | | | | | | | | | | | | | | | | | | | | | | | | | | | | | | | | |
| 6 | .750 | | | | | | | | | | | | | | | | | | | | | | | | | | | | | | | | | | | | | | | | | | | | | | | | | | | | | | | | | | | | | | | | | | | | | | | | | | | | | | | | | | | | | | | | | | | | | | | | | | | | | | |
| 7 | .875 | | | | | | | | | | | | | | | | | | | | | | | | | | | | | | | | | | | | | | | | | | | | | | | | | | | | | | | | | | | | | | | | | | | | | | | | | | | | | | | | | | | | | | | | | | | | | | | | | | | | | | |
| 8 | 1.000 | | | | | | | | | | | | | | | | | | | | | | | | | | | | | | | | | | | | | | | | | | | | | | | | | | | | | | | | | | | | | | | | | | | | | | | | | | | | | | | | | | | | | | | | | | | | | | | | | | | | | | |
| 9 | 1.125 | | | | | | | | | | | | | | | | | | | | | | | | | | | | | | | | | | | | | | | | | | | | | | | | | | | | | | | | | | | | | | | | | | | | | | | | | | | | | | | | | | | | | | | | | | | | | | | | | | | | | | |
| 10 | 1.250 | | | | | | | | | | | | | | | | | | | | | | | | | | | | | | | | | | | | | | | | | | | | | | | | | | | | | | | | | | | | | | | | | | | | | | | | | | | | | | | | | | | | | | | | | | | | | | | | | | | | | | |
| 11 | 1.375 | | | | | | | | | | | | | | | | | | | | | | | | | | | | | | | | | | | | | | | | | | | | | | | | | | | | | | | | | | | | | | | | | | | | | | | | | | | | | | | | | | | | | | | | | | | | | | | | | | | | | | |
| 12 | 1.500 | | | | | | | | | | | | | | | | | | | | | | | | | | | | | | | | | | | | | | | | | | | | | | | | | | | | | | | | | | | | | | | | | | | | | | | | | | | | | | | | | | | | | | | | | | | | | | | | | | | | | | |
| 13 | 1.625 | | | | | | | | | | | | | | | | | | | | | | | | | | | | | | | | | | | | | | | | | | | | | | | | | | | | | | | | | | | | | | | | | | | | | | | | | | | | | | | | | | | | | | | | | | | | | | | | | | | | | | |
| 14 | 1.750 | | | | | | | | | | | | | | | | | | | | | | | | | | | | | | | | | | | | | | | | | | | | | | | | | | | | | | | | | | | | | | | | | | | | | | | | | | | | | | | | | | | | | | | | | | | | | | | | | | | | | | |
| 15 | 1.875 | | | | | | | | | | | | | | | | | | | | | | | | | | | | | | | | | | | | | | | | | | | | | | | | | | | | | | | | | | | | | | | | | | | | | | | | | | | | | | | | | | | | | | | | | | | | | | | | | | | | | | |
| 16 | 2.000 | | | | | | | | | | | | | | | | | | | | | | | | | | | | | | | | | | | | | | | | | | | | | | | | | | | | | | | | | | | | | | | | | | | | | | | | | | | | | | | | | | | | | | | | | | | | | | | | | | | | | | |
| 17 | 2.125 | | | | | | | | | | | | | | | | | | | | | | | | | | | | | | | | | | | | | | | | | | | | | | | | | | | | | | | | | | | | | | | | | | | | | | | | | | | | | | | | | | | | | | | | | | | | | | | | | | | | | | |
| 18 | 2.250 | | | | | | | | | | | | | | | | | | | | | | | | | | | | | | | | | | | | | | | | | | | | | | | | | | | | | | | | | | | | | | | | | | | | | | | | | | | | | | | | | | | | | | | | | | | | | | | | | | | | | | |
| 19 | 2.375 | | | | | | | | | | | | | | | | | | | | | | | | | | | | | | | | | | | | | | | | | | | | | | | | | | | | | | | | | | | | | | | | | | | | | | | | | | | | | | | | | | | | | | | | | | | | | | | | | | | | | | |
| 20 | 2.500 | | | | | | | | | | | | | | | | | | | | | | | | | | | | | | | | | | | | | | | | | | | | | | | | | | | | | | | | | | | | | | | | | | | | | | | | | | | | | | | | | | | | | | | | | | | | | | | | | | | | | | |
|  440MK135 45° Entry | | | | | | | | | | | | | | | | | | | | | | | | | | | | | | | | | | | | | | | | | | | | | | | | | | | | | | | | | | | | | | | | | | | | | | | | | | | | | | | | | | | | | | | | | | | | | | | | | | | | | | | |
|  440ML135 90° Entry | | | | | | | | | | | | | | | | | | | | | | | | | | | | | | | | | | | | | | | | | | | | | | | | | | | | | | | | | | | | | | | | | | | | | | | | | | | | | | | | | | | | | | | | | | | | | | | | | | | | | | | |

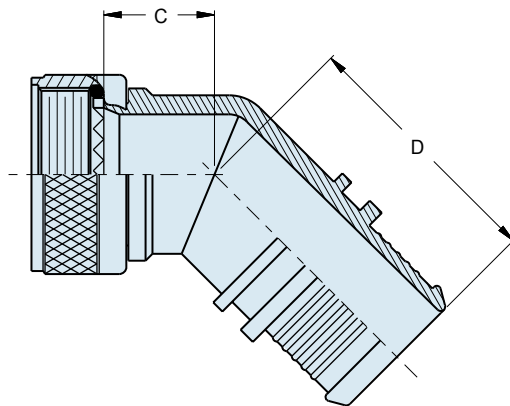
Dimensions in inches (millimeters) and are subject to change without notice.

Series 80 Mighty Mouse Thread-On BAND-IT® Adapter Dimensions

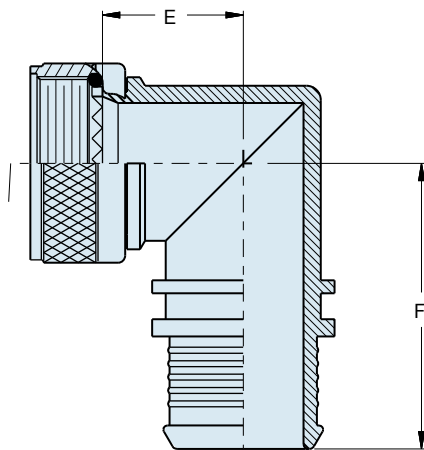
440MS135, 440MK135 and 440ML135



STRAIGHT ENTRY
ROTATABLE COUPLING
440MS135



45° ENTRY
ROTATABLE COUPLING
440MK135



90° ENTRY
ROTATABLE COUPLING
440ML135

DIMENSIONS

| Size Code | A Threads | B Max. | | C Max. | | D Max. | | E Max. | | F Max. | |
|-----------|-----------|--------|-------|--------|-------|--------|-------|--------|-------|--------|-------|
| | | In. | mm. | In. | mm. | In. | mm. | In. | mm. | In. | mm. |
| 05 | .2500-32 | .470 | 11.94 | .530 | 13.46 | .660 | 16.76 | .630 | 16.00 | .780 | 19.81 |
| 06 | .3125-32 | .530 | 13.46 | .550 | 13.97 | .670 | 17.02 | .660 | 16.76 | .790 | 20.27 |
| 11 | .3750-32 | .570 | 14.48 | .560 | 14.22 | .680 | 17.27 | .680 | 17.27 | .810 | 20.57 |
| 07 | .4375-28 | .637 | 16.18 | .570 | 14.48 | .690 | 17.53 | .700 | 17.78 | .830 | 21.08 |
| 08 | .5000-28 | .700 | 17.78 | .580 | 14.73 | .700 | 17.78 | .740 | 18.80 | .860 | 21.84 |
| 09 | .5625-24 | .758 | 19.25 | .590 | 14.99 | .710 | 18.03 | .770 | 19.56 | .890 | 22.61 |
| 10 | .6250-24 | .819 | 20.80 | .610 | 15.49 | .730 | 18.54 | .800 | 20.32 | .920 | 23.37 |
| 12 | .6875-24 | .896 | 22.76 | .640 | 16.26 | .750 | 19.05 | .840 | 21.34 | .970 | 24.64 |
| 13 | .7500-20 | .930 | 23.62 | .660 | 16.76 | .770 | 19.56 | .880 | 22.35 | 1.020 | 25.91 |
| 14 | .9375-20 | 1.137 | 28.88 | .690 | 17.53 | .800 | 20.32 | .950 | 24.13 | 1.090 | 27.69 |
| 17 | 1.1875-18 | 1.387 | 35.23 | .720 | 18.29 | .830 | 21.08 | 1.010 | 25.65 | 1.160 | 29.46 |

CABLE ENTRY

| Cable Entry Code | Ø H | | Ø J | | Ø K | | Use With Size Codes |
|------------------|-------|-------|-------|-------|-------|-------|---------------------|
| | In. | mm. | In. | mm. | In. | mm. | |
| | ±.015 | ±0.38 | ±.015 | ±0.38 | ±.015 | ±0.38 | |
| 02 | .125 | 3.18 | .164 | 4.17 | .266 | 6.76 | 05-14 |
| 03 | .188 | 4.78 | .227 | 5.77 | .329 | 8.36 | 05-14 |
| 04 | .250 | 6.35 | .289 | 7.34 | .391 | 9.93 | 06-14 |
| 05 | .312 | 7.92 | .351 | 8.92 | .453 | 11.51 | 07-14 |
| 06 | .375 | 9.53 | .414 | 10.52 | .516 | 13.11 | 07-14 |
| 07 | .438 | 11.13 | .477 | 12.12 | .579 | 14.71 | 08-14 |
| 08 | .500 | 12.70 | .539 | 13.69 | .641 | 16.28 | 09-14 |
| 09 | .562 | 14.27 | .601 | 15.27 | .703 | 17.86 | 10-14 |
| 10 | .625 | 15.88 | .664 | 16.87 | .766 | 19.46 | 12-14 |
| 11 | .688 | 17.48 | .727 | 18.47 | .829 | 21.06 | 14 |
| 12 | .750 | 19.05 | .789 | 20.04 | .891 | 22.63 | 14 |
| 13 | .812 | 20.62 | .851 | 21.62 | .953 | 24.21 | 14 |
| 14 | .875 | 22.23 | .914 | 23.22 | 1.016 | 25.81 | 14 |

CONNECTOR SHELL SIZES

| Size Code | A Threads | Shell Size | |
|-----------|-------------------|---------------------------|------------|
| | | Series 800, 801, 803, 804 | Series 805 |
| 05 | .2500-32 UNEF-2B | 5 | — |
| 06 | .3125-32 UNEF-2B | 6 | — |
| 11 | .375-32 UNEF-2B | — | 8 |
| 07 | .4375-28 UNEF-2B | 7 | 9 |
| 08 | .5000-28 UNEF-2B | 8 | 10 |
| 09 | .5625-24 UNEF-2B | 9 | 11 |
| 10 | .6250-24 UNEF-2B | 10 | 12 |
| 12 | .6875-24 UNEF-2B | 12, 13 | — |
| 13 | .7500-20 UNEF-2B | — | 15 |
| 14 | .9375-20 UNEF-2B | 14, 15, 16, 17 | 18, 19 |
| 17 | 1.1875-18 UNEF-2B | 21 | 23 |

Dimensions in inches (millimeters) and are subject to change without notice.



Series 80 Mighty Mouse Low-Profile BAND-IT® Adapter Ordering Information 440MS134



BAND-IT® Strap
Microband 600-057-1



Installed

Add a boot or overmold for environmental protection

Micro Band Tool
600-061



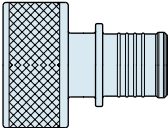
These low-profile adapters are used with **BAND-IT® micro band** shield termination straps. Choose the smallest cable entry for your wire bundle.

MATERIALS

| | |
|---------|----------------------------------|
| Adapter | Aluminum Alloy or 300 Series SST |
| Band | 300 Series SST |
| O-Ring | Silicone Elastomer |

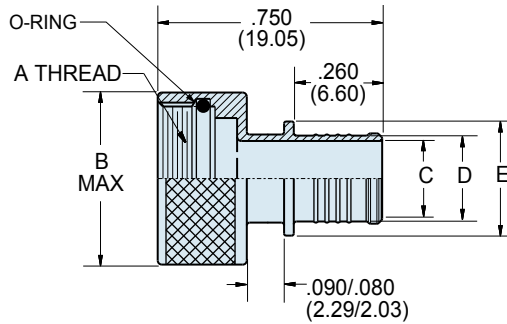
HOW TO ORDER

Sample Part Number

| 440MS134 | NF | 12 | 08 | K | | | | | | | | | | | | | | | | | | | | | | | | | | | | | | | | | | | | | | | | | | | | | | | | | | | | | | | | | | | | | | | | | | | | | |
|---|--|--|------------------|-------------|-----------|----------|-----------|----------|-----------|----------|-----------|----------|-----------|----------|-----------|----------|-----------|----------|-----------|----------|-----------|----------|-----------|----------|-----------|-----------|---|------------------|------------------------|---------------------|-----------|------|-----------|-----------|------|-----------|-----------|------|-----------|-----------|------|-------|-----------|------|-------|-----------|------|-------|-----------|------|-------|-----------|------|-------|-----------|------|-------|-----------|------|-----------|-----------|------|--------|-----------|------|--------|-----------|------|--------|-----------|------|--------|---|
| Part Number | Shell Material / Finish | Size Code | Cable Entry Size | Band Option | | | | | | | | | | | | | | | | | | | | | | | | | | | | | | | | | | | | | | | | | | | | | | | | | | | | | | | | | | | | | | | | | | | | | |
|  <p>440MS134 Straight Entry</p> | <p style="text-align: center;">C Aluminum / Black Anodize (Non-Conductive) RoHS Compliant</p> <p style="text-align: center;">M Aluminum / Electroless Nickel RoHS Compliant</p> <p style="text-align: center;">NF Aluminum / Cadmium with Olive Drab Chromate</p> <p style="text-align: center;">ZN Aluminum / Zinc-Nickel with Olive Drab Chromate</p> <p style="text-align: center;">ZNU Aluminum / Zinc-Nickel with Black Chromate</p> <p style="text-align: center;">MT Aluminum / Nickel-PTFE RoHS Compliant</p> <p style="text-align: center;">Z1 Stainless Steel / Passivated RoHS Compliant</p> | <table border="1"> <thead> <tr> <th>Size Code</th> <th>Thread Size</th> </tr> </thead> <tbody> <tr><td>05</td><td>.2500-32</td></tr> <tr><td>06</td><td>.3125-32</td></tr> <tr><td>11</td><td>.3750-32</td></tr> <tr><td>07</td><td>.4375-28</td></tr> <tr><td>08</td><td>.5000-28</td></tr> <tr><td>09</td><td>.5625-24</td></tr> <tr><td>10</td><td>.6250-24</td></tr> <tr><td>12</td><td>.6875-24</td></tr> <tr><td>13</td><td>.7500-20</td></tr> <tr><td>14</td><td>.9375-20</td></tr> <tr><td>17</td><td>1.1875-18</td></tr> </tbody> </table> | Size Code | Thread Size | 05 | .2500-32 | 06 | .3125-32 | 11 | .3750-32 | 07 | .4375-28 | 08 | .5000-28 | 09 | .5625-24 | 10 | .6250-24 | 12 | .6875-24 | 13 | .7500-20 | 14 | .9375-20 | 17 | 1.1875-18 | <table border="1"> <thead> <tr> <th>Cable Entry Code</th> <th>Cable Entry Dia. (In.)</th> <th>Use With Size Codes</th> </tr> </thead> <tbody> <tr><td>01</td><td>.094</td><td>05-06, 11</td></tr> <tr><td>02</td><td>.125</td><td>05-07, 11</td></tr> <tr><td>03</td><td>.172</td><td>05-08, 11</td></tr> <tr><td>04</td><td>.234</td><td>06-08</td></tr> <tr><td>05</td><td>.272</td><td>07-09</td></tr> <tr><td>06</td><td>.312</td><td>07-10</td></tr> <tr><td>07</td><td>.375</td><td>08-13</td></tr> <tr><td>08</td><td>.438</td><td>09-13</td></tr> <tr><td>09</td><td>.500</td><td>10-13</td></tr> <tr><td>10</td><td>.562</td><td>12-14, 17</td></tr> <tr><td>11</td><td>.625</td><td>14, 17</td></tr> <tr><td>12</td><td>.688</td><td>14, 17</td></tr> <tr><td>13</td><td>.750</td><td>14, 17</td></tr> <tr><td>14</td><td>.812</td><td>14, 17</td></tr> </tbody> </table> | Cable Entry Code | Cable Entry Dia. (In.) | Use With Size Codes | 01 | .094 | 05-06, 11 | 02 | .125 | 05-07, 11 | 03 | .172 | 05-08, 11 | 04 | .234 | 06-08 | 05 | .272 | 07-09 | 06 | .312 | 07-10 | 07 | .375 | 08-13 | 08 | .438 | 09-13 | 09 | .500 | 10-13 | 10 | .562 | 12-14, 17 | 11 | .625 | 14, 17 | 12 | .688 | 14, 17 | 13 | .750 | 14, 17 | 14 | .812 | 14, 17 | <p>Omit for no band supplied</p> <p style="text-align: center;">K Adapter is supplied with BAND-IT® shield termination band, pre-coiled</p> |
| Size Code | Thread Size | | | | | | | | | | | | | | | | | | | | | | | | | | | | | | | | | | | | | | | | | | | | | | | | | | | | | | | | | | | | | | | | | | | | | | | | |
| 05 | .2500-32 | | | | | | | | | | | | | | | | | | | | | | | | | | | | | | | | | | | | | | | | | | | | | | | | | | | | | | | | | | | | | | | | | | | | | | | | |
| 06 | .3125-32 | | | | | | | | | | | | | | | | | | | | | | | | | | | | | | | | | | | | | | | | | | | | | | | | | | | | | | | | | | | | | | | | | | | | | | | | |
| 11 | .3750-32 | | | | | | | | | | | | | | | | | | | | | | | | | | | | | | | | | | | | | | | | | | | | | | | | | | | | | | | | | | | | | | | | | | | | | | | | |
| 07 | .4375-28 | | | | | | | | | | | | | | | | | | | | | | | | | | | | | | | | | | | | | | | | | | | | | | | | | | | | | | | | | | | | | | | | | | | | | | | | |
| 08 | .5000-28 | | | | | | | | | | | | | | | | | | | | | | | | | | | | | | | | | | | | | | | | | | | | | | | | | | | | | | | | | | | | | | | | | | | | | | | | |
| 09 | .5625-24 | | | | | | | | | | | | | | | | | | | | | | | | | | | | | | | | | | | | | | | | | | | | | | | | | | | | | | | | | | | | | | | | | | | | | | | | |
| 10 | .6250-24 | | | | | | | | | | | | | | | | | | | | | | | | | | | | | | | | | | | | | | | | | | | | | | | | | | | | | | | | | | | | | | | | | | | | | | | | |
| 12 | .6875-24 | | | | | | | | | | | | | | | | | | | | | | | | | | | | | | | | | | | | | | | | | | | | | | | | | | | | | | | | | | | | | | | | | | | | | | | | |
| 13 | .7500-20 | | | | | | | | | | | | | | | | | | | | | | | | | | | | | | | | | | | | | | | | | | | | | | | | | | | | | | | | | | | | | | | | | | | | | | | | |
| 14 | .9375-20 | | | | | | | | | | | | | | | | | | | | | | | | | | | | | | | | | | | | | | | | | | | | | | | | | | | | | | | | | | | | | | | | | | | | | | | | |
| 17 | 1.1875-18 | | | | | | | | | | | | | | | | | | | | | | | | | | | | | | | | | | | | | | | | | | | | | | | | | | | | | | | | | | | | | | | | | | | | | | | | |
| Cable Entry Code | Cable Entry Dia. (In.) | Use With Size Codes | | | | | | | | | | | | | | | | | | | | | | | | | | | | | | | | | | | | | | | | | | | | | | | | | | | | | | | | | | | | | | | | | | | | | | | |
| 01 | .094 | 05-06, 11 | | | | | | | | | | | | | | | | | | | | | | | | | | | | | | | | | | | | | | | | | | | | | | | | | | | | | | | | | | | | | | | | | | | | | | | |
| 02 | .125 | 05-07, 11 | | | | | | | | | | | | | | | | | | | | | | | | | | | | | | | | | | | | | | | | | | | | | | | | | | | | | | | | | | | | | | | | | | | | | | | |
| 03 | .172 | 05-08, 11 | | | | | | | | | | | | | | | | | | | | | | | | | | | | | | | | | | | | | | | | | | | | | | | | | | | | | | | | | | | | | | | | | | | | | | | |
| 04 | .234 | 06-08 | | | | | | | | | | | | | | | | | | | | | | | | | | | | | | | | | | | | | | | | | | | | | | | | | | | | | | | | | | | | | | | | | | | | | | | |
| 05 | .272 | 07-09 | | | | | | | | | | | | | | | | | | | | | | | | | | | | | | | | | | | | | | | | | | | | | | | | | | | | | | | | | | | | | | | | | | | | | | | |
| 06 | .312 | 07-10 | | | | | | | | | | | | | | | | | | | | | | | | | | | | | | | | | | | | | | | | | | | | | | | | | | | | | | | | | | | | | | | | | | | | | | | |
| 07 | .375 | 08-13 | | | | | | | | | | | | | | | | | | | | | | | | | | | | | | | | | | | | | | | | | | | | | | | | | | | | | | | | | | | | | | | | | | | | | | | |
| 08 | .438 | 09-13 | | | | | | | | | | | | | | | | | | | | | | | | | | | | | | | | | | | | | | | | | | | | | | | | | | | | | | | | | | | | | | | | | | | | | | | |
| 09 | .500 | 10-13 | | | | | | | | | | | | | | | | | | | | | | | | | | | | | | | | | | | | | | | | | | | | | | | | | | | | | | | | | | | | | | | | | | | | | | | |
| 10 | .562 | 12-14, 17 | | | | | | | | | | | | | | | | | | | | | | | | | | | | | | | | | | | | | | | | | | | | | | | | | | | | | | | | | | | | | | | | | | | | | | | |
| 11 | .625 | 14, 17 | | | | | | | | | | | | | | | | | | | | | | | | | | | | | | | | | | | | | | | | | | | | | | | | | | | | | | | | | | | | | | | | | | | | | | | |
| 12 | .688 | 14, 17 | | | | | | | | | | | | | | | | | | | | | | | | | | | | | | | | | | | | | | | | | | | | | | | | | | | | | | | | | | | | | | | | | | | | | | | |
| 13 | .750 | 14, 17 | | | | | | | | | | | | | | | | | | | | | | | | | | | | | | | | | | | | | | | | | | | | | | | | | | | | | | | | | | | | | | | | | | | | | | | |
| 14 | .812 | 14, 17 | | | | | | | | | | | | | | | | | | | | | | | | | | | | | | | | | | | | | | | | | | | | | | | | | | | | | | | | | | | | | | | | | | | | | | | |

Dimensions in inches (millimeters) and are subject to change without notice.

**Series 80 Mighty Mouse
Low-Profile BAND-IT® Adapter Dimensions
440MS134**



STRAIGHT ENTRY
DIRECT COUPLING
440MS134

| Size Code | A Threads | B Max. | |
|-----------|-------------------|--------|-------|
| | | In. | mm. |
| 05 | .2500-32 UNEF-2B | .350 | 8.89 |
| 06 | .3125-32 UNEF-2B | .415 | 10.54 |
| 11 | .375-32 UN-2B | .465 | 11.81 |
| 07 | .4375-28 UNEF-2B | .530 | 13.46 |
| 08 | .5000-28 UNEF-2B | .595 | 15.11 |
| 09 | .5625-24 UNEF-2B | .650 | 16.51 |
| 10 | .6250-24 UNEF-2B | .715 | 18.16 |
| 12 | .6875-24 UNEF-2B | .785 | 19.94 |
| 13 | .750-20 UNEF-2B | .830 | 21.08 |
| 14 | .9375-20 UNEF-2B | 1.020 | 25.91 |
| 17 | 1.1875-18 UNEF-2B | 1.280 | 32.51 |

| Cable Entry Code | Ø C | | Ø D | | Ø E | | Use With Size Codes |
|------------------|-------|-------|-------|-------|-------|-------|---------------------|
| | In. | mm. | In. | mm. | In. | mm. | |
| | ±.015 | ±0.38 | ±.015 | ±0.38 | ±.015 | ±0.38 | |
| 01 | .094 | 2.39 | .133 | 3.38 | .235 | 5.97 | 05-06 |
| 02 | .125 | 3.18 | .164 | 4.17 | .266 | 6.76 | 05-07 |
| 03 | .172 | 4.37 | .211 | 5.36 | .313 | 7.95 | 05-08 |
| 04 | .234 | 5.94 | .273 | 6.93 | .375 | 9.53 | 06-08 |
| 05 | .272 | 6.91 | .311 | 7.90 | .413 | 10.49 | 07-09 |
| 06 | .312 | 7.92 | .351 | 8.92 | .453 | 11.51 | 07-10 |
| 07 | .375 | 9.53 | .414 | 10.52 | .516 | 13.11 | 08-12 |
| 08 | .438 | 11.13 | .477 | 12.12 | .579 | 14.71 | 09-12 |
| 09 | .500 | 12.70 | .539 | 13.69 | .641 | 16.28 | 10-12 |
| 10 | .562 | 14.27 | .601 | 15.27 | .703 | 17.88 | 12-14 |
| 11 | .625 | 15.88 | .664 | 16.87 | .766 | 19.46 | 14 |
| 12 | .688 | 17.48 | .727 | 18.47 | .829 | 21.06 | 14 |
| 13 | .750 | 19.05 | .789 | 20.04 | .891 | 22.63 | 14 |
| 14 | .812 | 20.62 | .851 | 21.62 | .953 | 24.21 | 14 |

| Size Code | A Threads | Shell Size | |
|-----------|-------------------|---------------------------|------------|
| | | Series 800, 801, 803, 804 | Series 805 |
| 05 | .2500-32 UNEF-2B | 5 | — |
| 06 | .3125-32 UNEF-2B | 6 | — |
| 11 | .375-32 UNEF-2B | — | 8 |
| 07 | .4375-28 UNEF-2B | 7 | 9 |
| 08 | .5000-28 UNEF-2B | 8 | 10 |
| 09 | .5625-24 UNEF-2B | 9 | 11 |
| 10 | .6250-24 UNEF-2B | 10 | 12 |
| 12 | .6875-24 UNEF-2B | 12, 13 | — |
| 13 | .750-20 UNEF-2B | — | 15 |
| 14 | .9375-20 UNEF-2B | 14, 15, 16, 17 | 18, 19 |
| 17 | 1.1875-18 UNEF-2B | 21 | 23 |

Dimensions in inches (millimeters) and are subject to change without notice.



Mouser Electronics

Authorized Distributor

Click to View Pricing, Inventory, Delivery & Lifecycle Information:

Glenair:

[440MS135M0604-6](#) [440MS135M1414-6](#) [440ML135M1414](#) [440ML135M0908](#) [440MS135M0604-8K](#)
[440MS135M0706-8K](#) [440MS135M0807-8K](#) [440MS135Z10908-8K](#) [440MS135M0503-8K](#) [440MS135M0703-6K](#)
[440MS135M0908-8K](#) [440MS135M1007-6K](#) [440MS135M1210-16](#) [440MS135M1304-6K](#) [440MS135M1305-6K](#)
[440MS135M1405-6K](#) [440MS135NF0706-7](#) [440MS135NF0807-6](#) [440MS135NF0908-6](#) [440MS135NF1009-6](#)
[440MS135Z10604-8K](#) [440MS135M0705-12K](#) [440MS135NF0503-6](#) [440MS135M1104-8](#) [440MS135M1006-6K](#)
[440MS135NF0503-6K](#) [440MS135Z10906-8K](#) [440MS135NF0807-7K](#) [440MS135M1405-16](#) [440MS135NF1208-6K](#)
[440MS135NF1714-6](#) [440MS135M0502-6K](#) [440MS135M1103-6](#) [440MS135M1205-9K](#) [440MS135NF1309-6](#)
[440MS135NF0909-6K](#) [440MS135NF0603-6](#) [440MS135NF1714-6K](#) [440MS135NF1210-6K](#) [440MS135NF0606-14](#)
[440MS135NF0705-6K](#) [440MS135ZN0706-8K](#) [440MS135NF0906-6K](#) [440MS135NF0904-6](#) [440MS135M0503-6](#)
[440MS135M1408-12K](#) [440MS135NF1009-8K](#) [440MS135ZNU0908-10](#) [440MS135NF0706-6K](#) [440MS135NF0908-6K](#)
[440MS135M0705-6K](#) [440MS135M0604-6K](#) [440MS135NF0807-6K](#) [440MS135M1105-6](#) [440MS135NF1006-6K](#)
[440MS135Z10908-8](#) [440ML135M1210](#) [440ML135ZN0908-K](#) [440ML135M1407-K](#) [440ML135NF1108](#)
[440MK135M0604](#) [440ML135M0503](#) [440ML135NF1414-K](#) [440ML135M0604](#) [440ML135M1714](#) [440ML135M1105](#)
[440ML135M1105-K](#) [440ML135NF0908-K](#) [440MK135M0804-K](#) [440ML135Z10908-K](#) [440MK135M1207](#)
[440ML135M1109](#) [440ML135NF0902](#) [440ML135M1009-K](#) [440MS135NF1405-6](#) [440MS135NF0704-6](#)
[440MS135NF1410-8K](#) [440MS135M0503-6K](#) [440ML135ZNU0704-K](#) [440MS135NF0705-6](#) [440ML135M1310](#)
[440ML135M0706](#) [440ML135M1412-K](#) [440ML135M1708-K](#) [440ML135NF0904-K](#) [440ML135NF1008-K](#)
[440ML135NF0903-K](#) [440ML135M0704](#) [440ML135ZN0706](#) [440ML135M1104-K](#) [440ML135M1708](#) [440MK135M0503](#)
[440ML135Z10604-K](#) [440ML135M1306-K](#) [440ML135NF0603](#) [440ML135NF1410](#) [440ML135NF1411](#)
[440ML135ZN1006](#) [440ML135NF0706-K](#) [440ML135M1412](#)