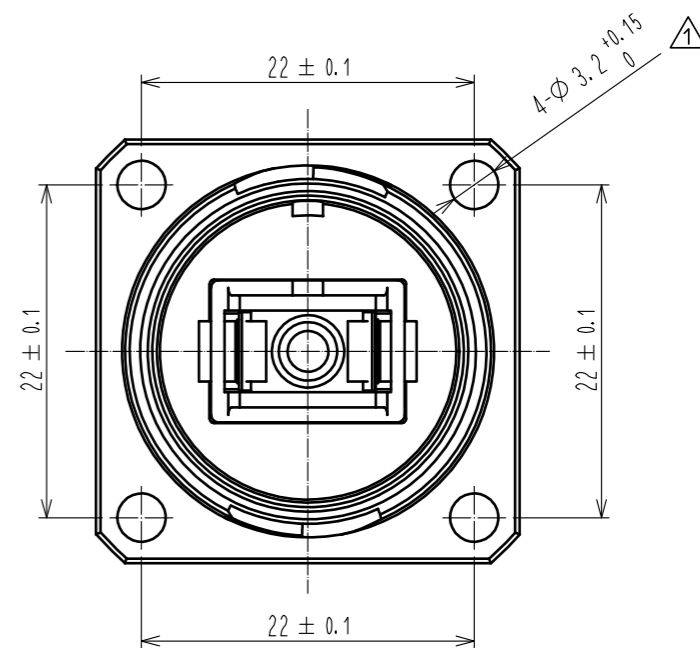
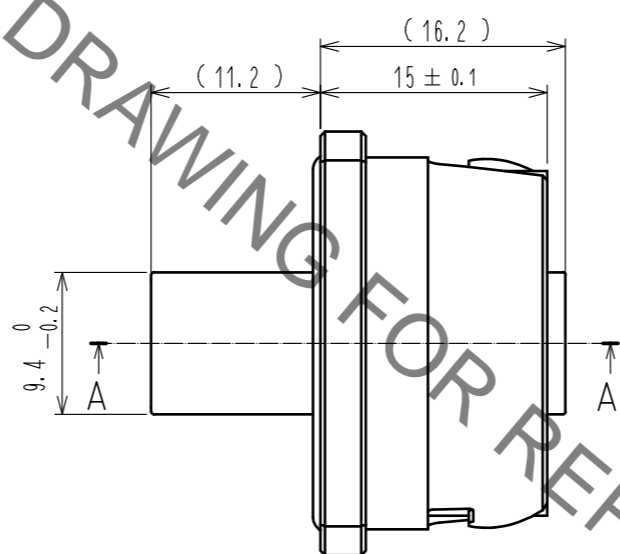
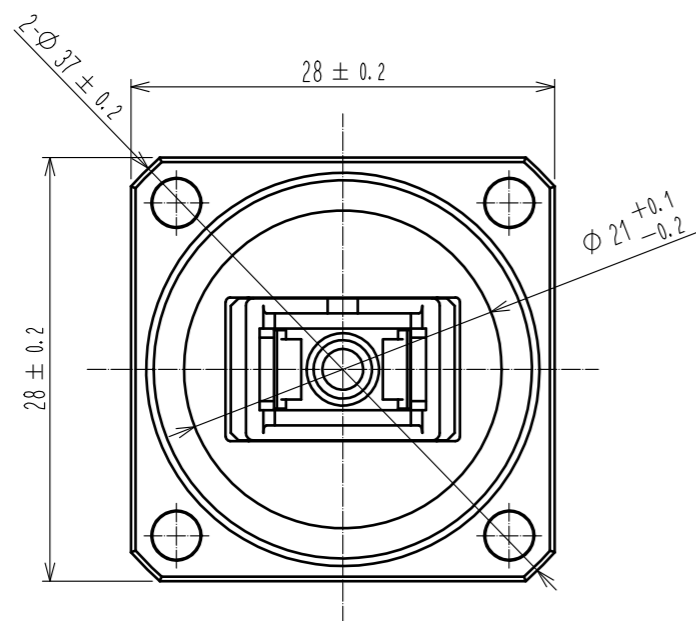
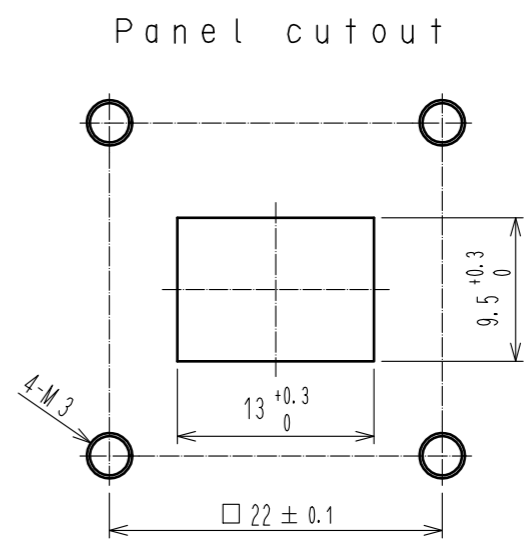
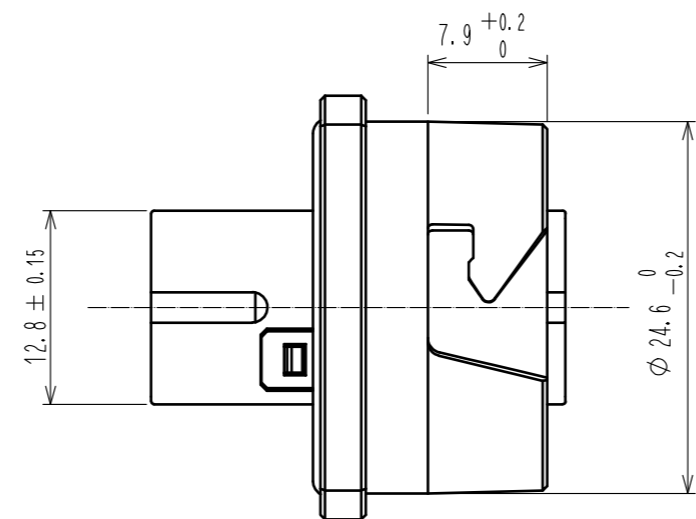
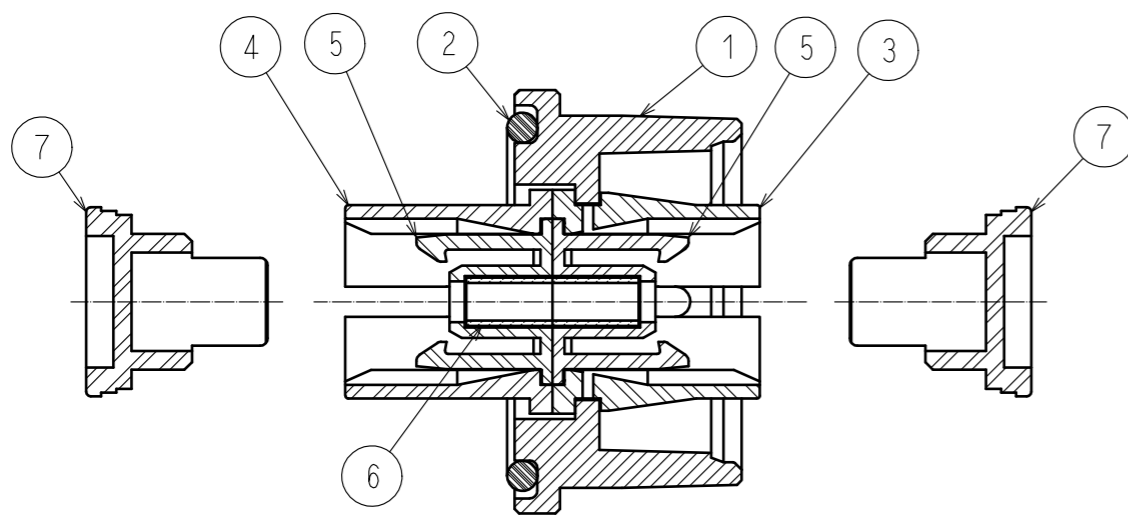


Jun.1.2021 Copyright 2021 HIROSE ELECTRIC CO., LTD. All Rights Reserved.  
 In case of consideration for using Automotive equipment / device which demand high reliability, kindly contact our sales window correspondents.

HRS DRAWING FOR REFERENCE



A - A



- NOTE
- 1 The adapter cap (Ref. no. ⑦) is installed.
  - 2 The waterproof cap for this products is option.
  - 3 Please buy CL717-5002-2-01 when the tray is unnecessary.

| NO. | MATERIAL               | FINISH .     | REMARKS | NO. | MATERIAL | FINISH .     | REMARKS |
|-----|------------------------|--------------|---------|-----|----------|--------------|---------|
| 4   | PPS                    | Blue         |         | 7   | PP       | Blue         |         |
| 3   | PPS                    | Blue         |         | 6   | Zirconia | Split Sleeve |         |
| 2   | Silicone Rubber        | Red          |         | 5   | PBT      | Blue         |         |
| 1   | Zinc Alloy Die Casting | Cr plating . | Black   |     |          |              |         |

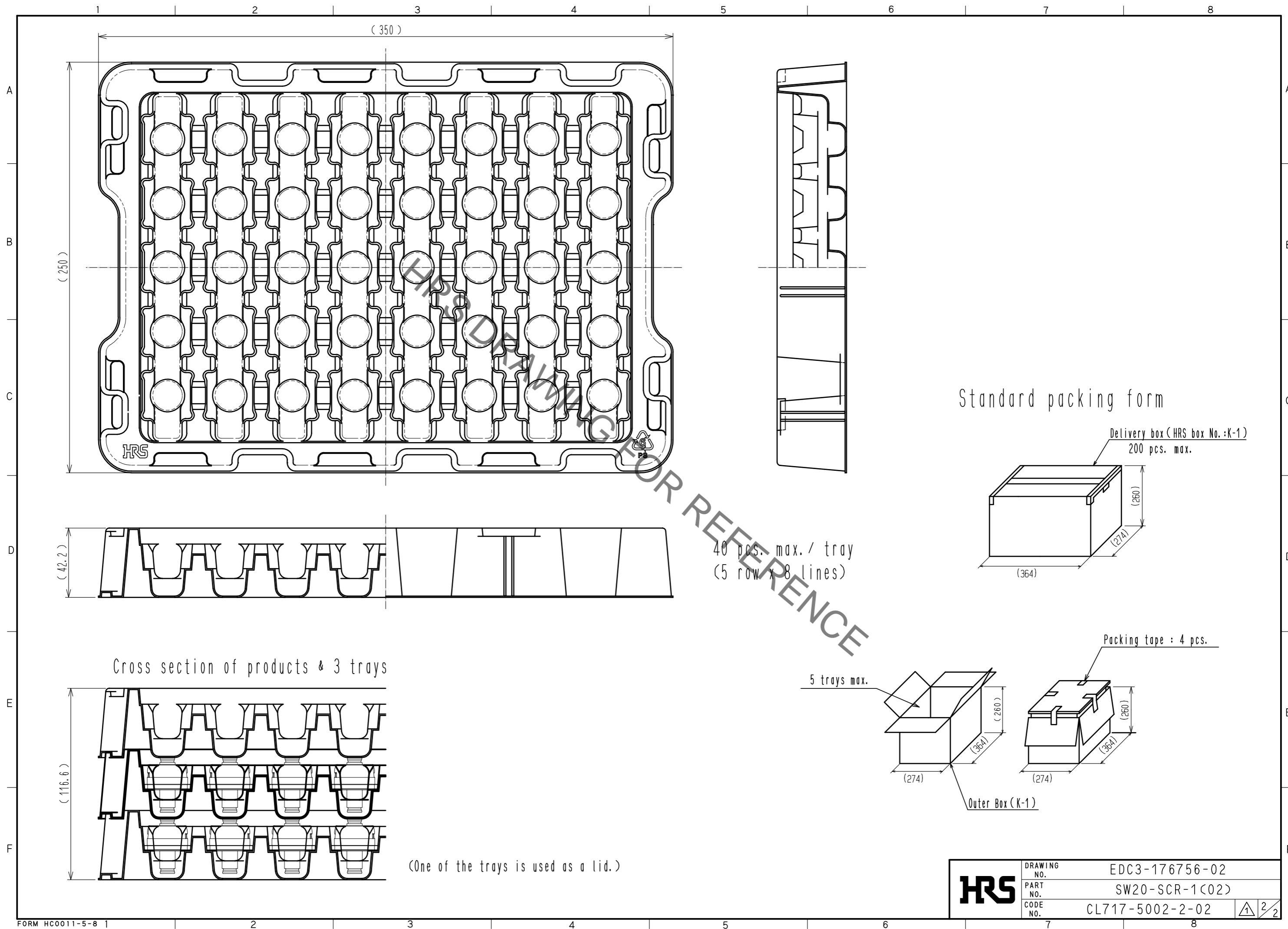
  

| UNITS | SCALE | COUNT | DESCRIPTION OF REVISIONS | DESIGNED | CHECKED     | DATE       |
|-------|-------|-------|--------------------------|----------|-------------|------------|
| mm    | 2 : 1 | 1     | DIS-K-00001293           | TY. SATO | FS. YOSHIDA | 17. 12. 08 |

| APPROVED     | DATE       | DRAWING NO.     |
|--------------|------------|-----------------|
| HA. OKANO    | 09. 05. 11 | EDC3-176756-02  |
| CHECKED      | DATE       | PART NO.        |
| YH. MASUZAKI | 09. 05. 11 | SW20-SCR-1(02)  |
| DESIGNED     | DATE       | CODE NO.        |
| KS. JOKURA   | 09. 05. 09 | CL717-5002-2-02 |
| DRAWN        | DATE       |                 |
| KS. JOKURA   | 09. 05. 09 |                 |

Jun.1.2021 Copyright 2021 HIROSE ELECTRIC CO., LTD. All Rights Reserved.  
 In case of consideration for using Automotive equipment / device which demand high reliability, kindly contact our sales window correspondents.



|            |             |                 |
|------------|-------------|-----------------|
| <b>HRS</b> | DRAWING NO. | EDC3-176756-02  |
|            | PART NO.    | SW20-SCR-1(02)  |
|            | CODE NO.    | CL717-5002-2-02 |
|            |             | 2/2             |

# Mouser Electronics

Authorized Distributor

Click to View Pricing, Inventory, Delivery & Lifecycle Information:

[Hirose Electric:](#)

[SW20-SCR-1\(02\)](#)