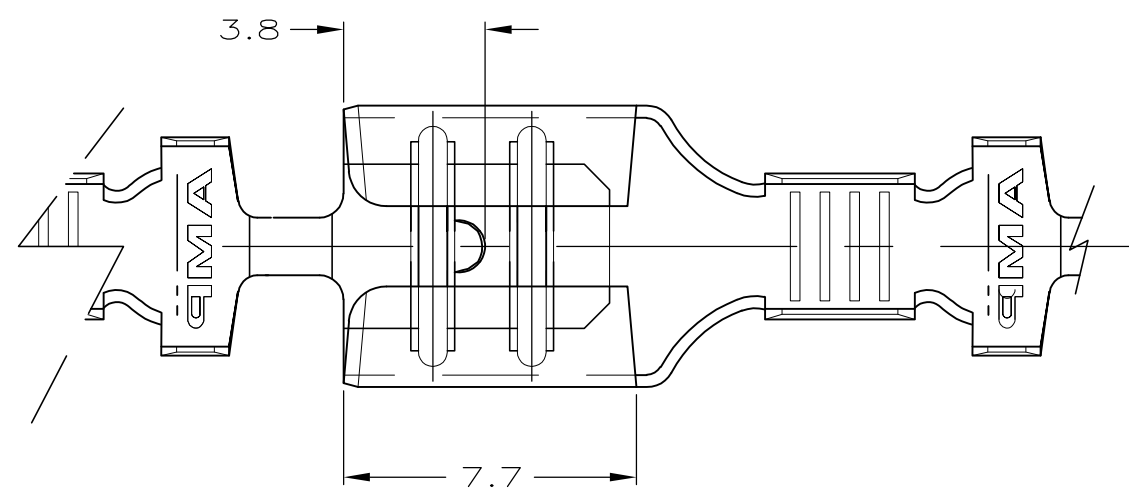
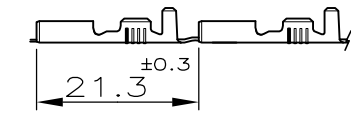


THIS DRAWING IS UNPUBLISHED. RELEASED FOR PUBLICATION
 © COPYRIGHT - By - ALL RIGHTS RESERVED.

REVISIONS					
P	LTR	DESCRIPTION	DATE	DWN	APVD
	AW8	REVISED PER ECR-15-014073	10FEB17	HG	TD



1) STATO DI FORNITURA - SCALA 1:1
 (SUPPLY CONDITION - SCALE 1:1)

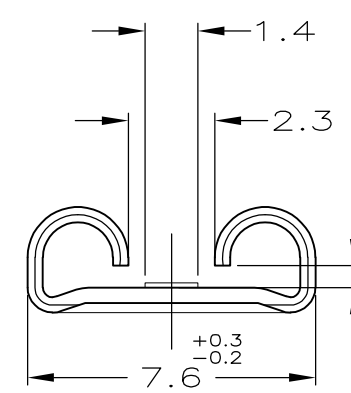


SENDO DI USCITA DEL TERMINALE DALLA BOBINA
 (DIRECTION OFF TOP OF REEL)

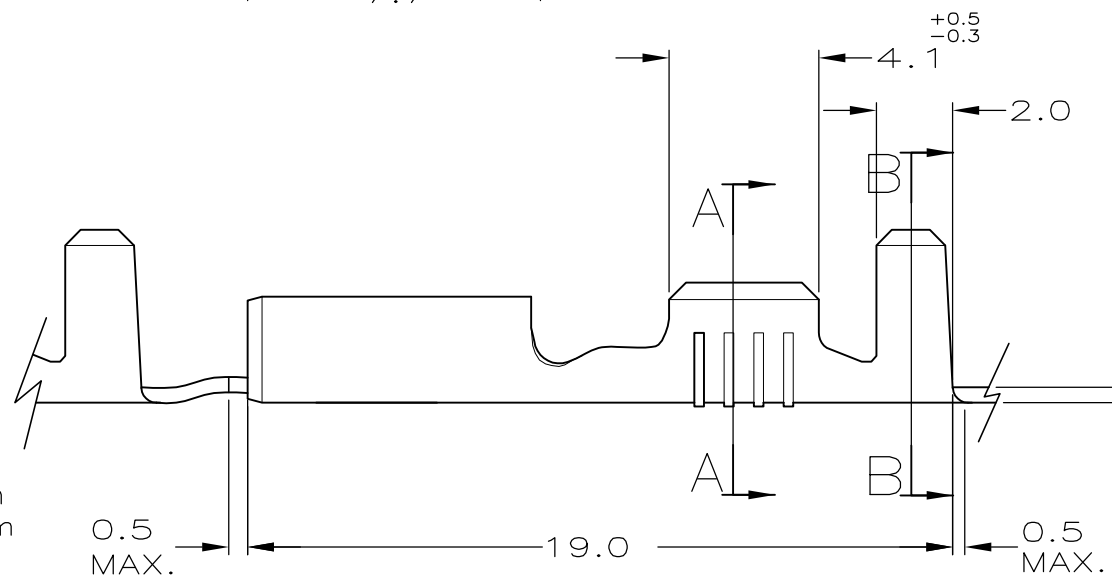
2) SPECIFICA DI PRODOTTO 108-20019
 (PRODUCT SPEC. 108-20019)
 SPECIFICA DI APPLICAZIONE 114-20023
 (APPLICATION SPEC. 114-20023).

3) PER LE VERSIONI IN PEZZI SCIOLTI VEDERE DISEGNO 160506
 (FOR LOOSE PIECE VERSION SEE DRAWING 160506).

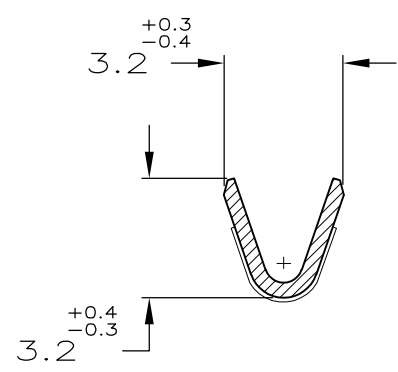
- 4) NON IN PRODUZIONE (NOT YET RELEASE FOR PRODUCTION)
- 5) ADATTO PER ALTA FORZA DI ESTRAZIONE (SUITABLE FOR HIGHER EXTRACTION FORCE)
- 6) ADATTO PER TAB SPESSO 0.63mm. (FOR 0.63mm TAB THK.)
- 7) PACKAGE WITH INTERLAYER PAPER



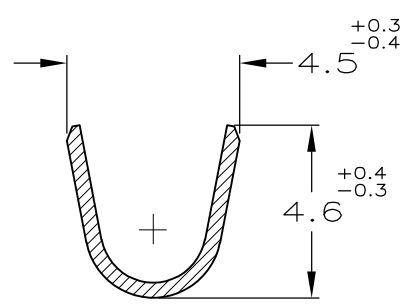
FOR 0.8mm & 0.63mm TAB THK.



SEZIONE A-A
 (SECTION A-A)



SEZIONE B-B
 (SECTION B-B)



7/4	STAGNATO (TINPLATED)	OTTONE (BRASS)	7-160432-4	AY
6/4	STAGNATO (TINPLATED)	OTTONE (BRASS)	7-160432-3	AY
5/4	STAGNATO (TINPLATED)	OTTONE (BRASS)	7-160432-2	AW
5/4	NUDO (UNPLATED)	OTTONE (BRASS)	7-160432-1	AW
	STAGNATO (TINPLATED)	OTTONE (BRASS)	7-160432-0	AU
	NUDO (UNPLATED)	BRONZO FOSF.(PH. BRONZE)	6-160432-4	AU
	PRE NICHELATO (PRE NICKEL PLATED)	ACCIAIO (STEEL)	6-160432-3	AU
	STAGNATO (TINPLATED)	BRONZO FOSF.(PH. BRONZE)	6-160432-0	AU
	ARGRNTATO (SILVER PLATED)	OTTONE (BRASS)	5-160432-7	AW
	STAGNATO (TINPLATED)	OTTONE (BRASS)	5-160432-4	AU
	NUDO (UNPLATED)	OTTONE (BRASS)	5-160432-3	AW
NOTE (NOTES)	FINITURA (FINISH)	MATERIALE (MATERIAL)	NUMERO (P/N)	REV

THIS DRAWING IS A CONTROLLED DOCUMENT.		DWN H.YAALI 14 MAY 99	TE Connectivity				
		CHK C.TARTARI 14 MAY 99					
DIMENSIONS: mm 		APVD -	NAME				
TOLERANCES UNLESS OTHERWISE SPECIFIED: ±0.3 0 PLC ± 1 PLC ± 2 PLC ± 3 PLC ± 4 PLC ± ANGLES ±2°		PRODUCT SPEC -	FASTON® Connector .250 SERIES REC. CONTACT				
MATERIAL / MATERIALE		APPLICATION SPEC 2	SIZE	CAGE CODE	DRAWING NO	RESTRICTED TO	
SEE TABLE (VEDI LA TABELLA)		FINISH / FINITURA	WEIGHT 0.785	A3	00779	C-160432	
		SEE TABLE (VEDI LA TABELLA)	CUSTOMER DRAWING		SCALE -	SHEET 1 OF 1	REV AW8

Mouser Electronics

Authorized Distributor

Click to View Pricing, Inventory, Delivery & Lifecycle Information:

[TE Connectivity:](#)

[5-160432-4 \(Mouser Reel\)](#) [5-160432-4 \(Cut Strip\)](#)