

5

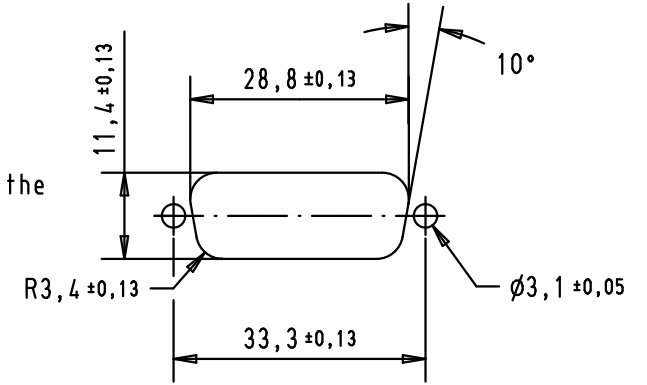
4

3

2

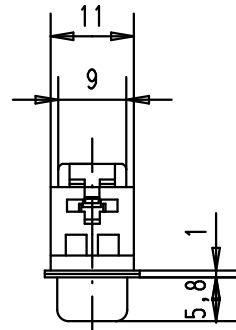
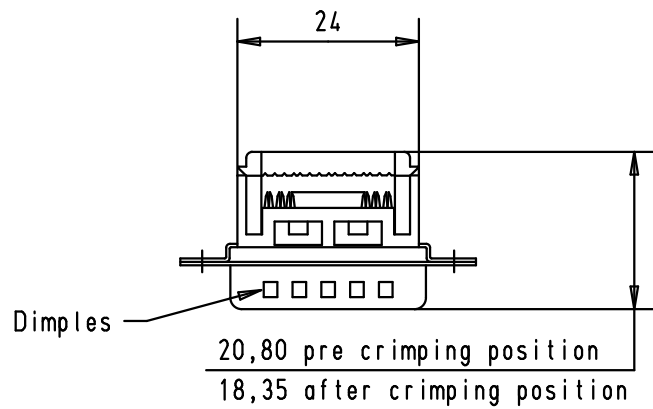
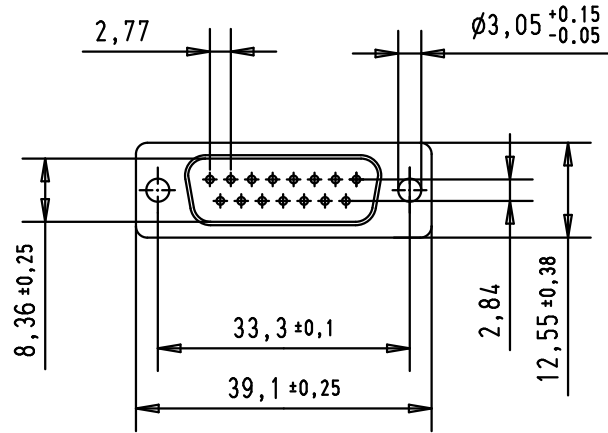
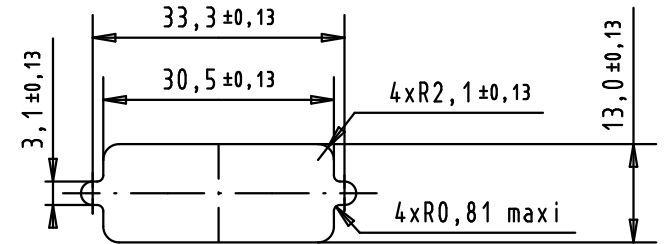
1

RECOMMAMDED PANEL CUTOUT DIMENSIONS FOR REAR MOUNTING



Values are taken from the CECC 75 301-802

RECOMMAMDED PANEL CUTOUT DIMENSIONS FOR FRONT MOUNTING



1.27 mm pitch flat cable stranded, wire sizes : AWG 26 to 28

09 66 228 7700

PL3

09 66 228 6700

PL2

EC03837

26-SEP-11

BH

Dat.

Name

Detail.

03-JUL-01

SH

Insp.

26-SEP-11

JB

Stand.



All Dim. in mm
Orig. Size DIN A 4

D-sub, male, 15 poles,
straight, IDC,
through holes

Maßstab/
Scale

1 : 1

29771

16-APR-02

CV

29756

19-MAR-02

CV

29692

03-JUL-01

SH

part number

performance
level

Mod.

Dat.

Name

HARTING EURL
F-95972 Paris



TB 09 66 228 x700

Sub.

Blatt/ Page

1 / 1

Mouser Electronics

Authorized Distributor

Click to View Pricing, Inventory, Delivery & Lifecycle Information:

[HARTING:](#)

[09662286700](#) [09662287700](#)