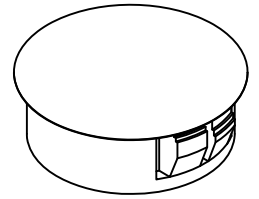
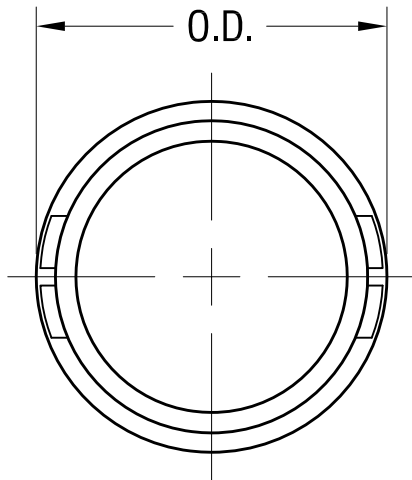
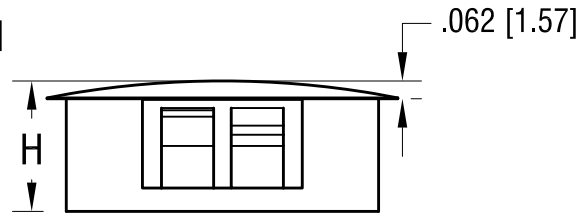
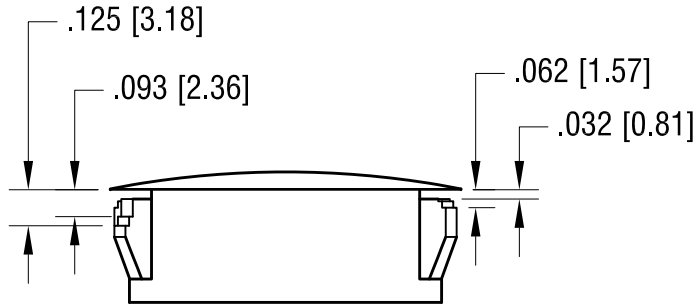


THIS DOCUMENT IS THE PROPERTY OF
KEYSTONE ELECTRONICS CORP. AND
SHALL NOT BE REPRODUCED, DISTRIBUTED
OR USED AS A BASIS FOR MANUFACTURE
WITHOUT PRIOR WRITTEN PERMISSION
FROM KEYSTONE ELECTRONICS CORP.



P/N 8608 (ACTUAL SIZE)



PART NO.	HOLE DIA. (REF.)	O.D.	H
8602	.375 [9.52]	.468 [11.89]	.406 [10.31]
8603	.500 [12.70]	.578 [14.68]	.406 [10.31]
8604	.625 [15.87]	.734 [18.64]	.406 [10.31]
8605	.750 [19.04]	.921 [23.39]	.406 [10.31]
8606	.875 [22.21]	1.015 [25.78]	.453 [11.51]
8607	1.000 [25.40]	1.203 [30.56]	.453 [11.51]
8608	1.125 [28.56]	1.218 [30.94]	.453 [11.51]
8609	1.250 [31.73]	1.375 [34.93]	.453 [11.51]
8610	1.375 [34.90]	1.500 [38.10]	.453 [11.51]
8611	1.500 [38.08]	1.671 [42.44]	.453 [11.51]

KEYSTONE ELECTRONICS CORP.

www.keyelco.com • ASTORIA, N.Y. 11105-2017 • Tel (718) 956-8900

PART NAME				HOLE PLUG			
MATERIAL				NYLON 6/6, BLACK UL 94V-2			
FINISH		DRN BY		DATE		APP'D	
MATTE FINISH		BOONE		8.11.97		LN	
TOLERANCES		INCH		[MM]		CODE	
DECIMAL		± .015		[± 0.38]		DWG NO.	
ANGULAR		± 1°		UNLESS OTHERWISE SPECIFIED		C/M	
				8602-8611			

9.16.11	CHANGE AS PER ECN 11-125	A
DATE	DESCRIPTION	REV.

Mouser Electronics

Authorized Distributor

Click to View Pricing, Inventory, Delivery & Lifecycle Information:

[Keystone Electronics:](#)

[8602](#)