

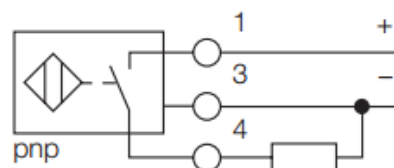
## Datasheet

# 40 mm PNP Block Inductive Proximity Sensor, 200 mA, 10 → 30 V dc, IP68

RS Stock number 208-279



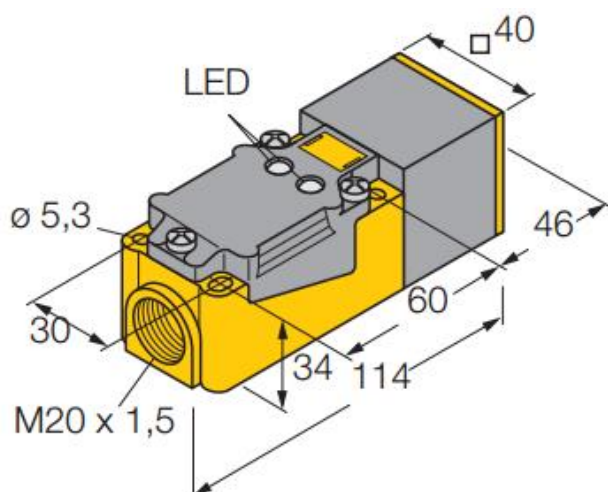
### Wiring diagram



### Functional principle

Inductive sensors are designed for wear-free and non-contact detection of metal objects. Due to a ferrite-less 3-coil system, uprox factor 1 sensors have distinct advantages. They detect all metals at the same switching distance, are magnetic field immune and feature large switching distances.

### Dimensions: (mm)



- rectangular, height 40 mm
- variable orientation of active face in 9 directions
- Plastic, PBT-GF30-V0
- factor 1 for all metals
- extended switching distance
- degree of protection IP68
- large detection range
- magnetic field immune
- extended temperature range
- high switching frequency
- 3-wire DC, 10...30 VDC
- normally open, pnp output
- Terminal chamber

## Specification

Ident-No.	1623600
<b>Rated operating distance Sn</b>	40 mm
Mounting condition	non-flush
Assured switching distance	$\leq (0,81 \times S_n)$ mm
Repeatability	$\leq 2 \%$
Temperature drift	$\leq \pm 10 \%$ $\leq \pm 15 \%$ , $\leq -25 \text{ °C}$ v $\geq +70 \text{ °C}$
Hysteresis	3... 15 %
Ambient temperature	-30...+ 85 °C
<b>Operating voltage</b>	10... 30 VDC
Residual ripple	$\leq 10 \%$ $U_{SS}$
DC rated operational current	$\leq 200$ mA
No-load current $I_0$	$\leq 15$ mA
Residual current	$\leq 0.1$ mA
Rated insulation voltage	$\leq 0.5$ kV
Short-circuit protection	yes / cyclic
Voltage dip at $I_e$	$\leq 1.8$ V
Wire breakage / Reverse polarity protection	yes / complete
Output function	3-wire, normally open, pnp
Insulation class	□
Switching frequency	$\leq 0.25$ kHz
<b>Housing</b>	rectangular, CP40
Dimensions	114 x 40 x 40 mm variable orientation of active face in 9 directions
Housing material	plastic, PBT-GF30-V0, black
Material active area	plastic, PA6-GF30-X, yellow
Connection	Terminal chamber
Clamping ability	$\leq 2.5$ mm <sup>2</sup>
Vibration resistance	55 Hz (1 mm)
Shock resistance	30g (11 ms)
Degree of protection	IP68
<b>Operating voltage display</b>	LED green
Display switch state	LED yellow