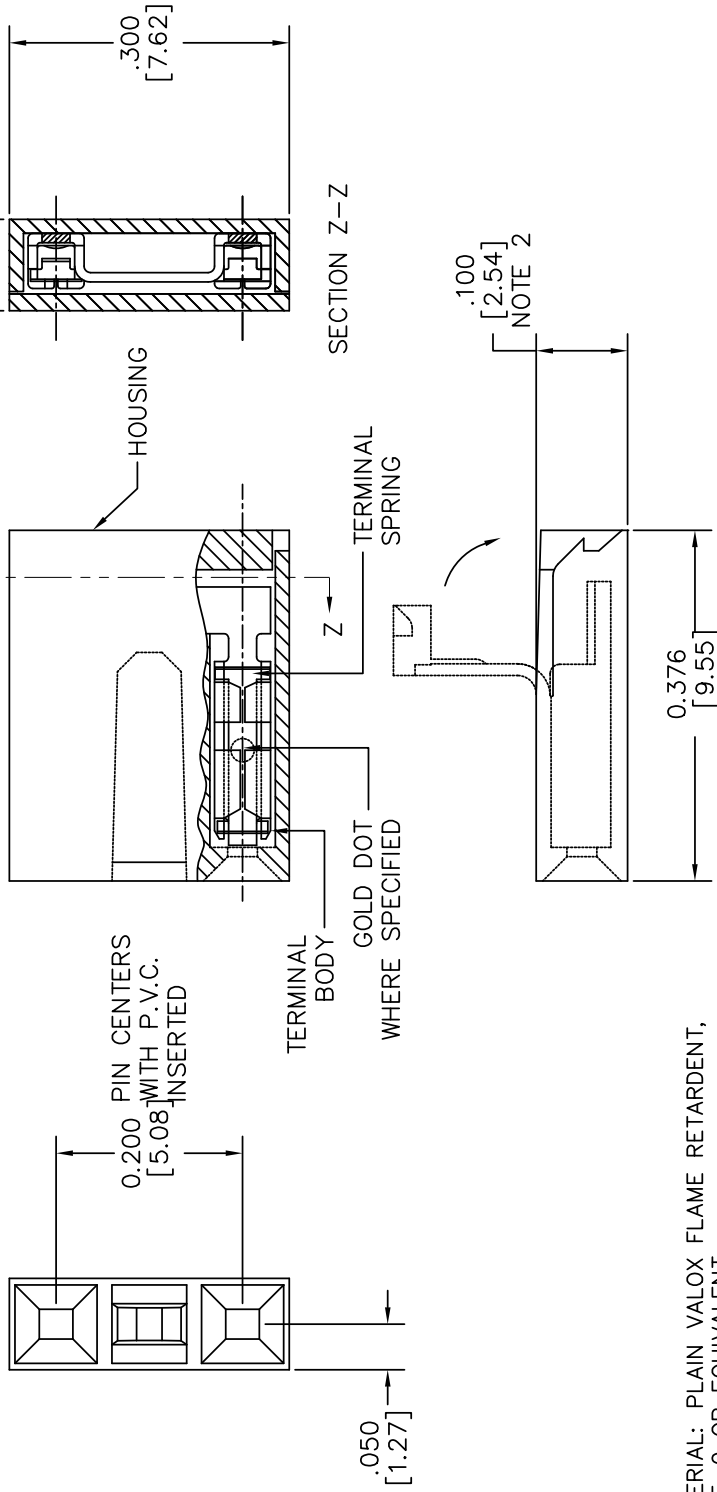


PRODUCT NO.
SEE SHT. 2



NOTES

1. HOUSING MATERIAL: PLAIN VALOX FLAME RETARDENT, PER UL 94-VE-0 OR EQUIVALENT. COLOR WHITE
2. .100/2.54 MAX. APPLIES TO HOUSING BODY. .105/2.67 MAX. APPLIES TO BODY AND LID, AFTER LID IS CLOSED PER TMS-258-88
3. ADD 'LF' SUFFIX AT THE END OF PART NUMBERS FOR LEAD FREE OPTION.
4. IF "LF" THE P/N THE PRODUCT MEETS EUROPEAN UNION DIRECTIVES AND OTHER COUNTRY REGULATION AS DESCRIBED IN GS-22-008.
5. THE PRODUCT IS NOT INTENDED TO BE EXPOSED TO A MANUFACTURING SOLDER PROCESS.
6. PRODUCT SPECIFICATION: BUS-12-023.

mat'l. code		surface	tolerance	projection	product family
tr	ec	ISO 1302	ISO 1101	ASME Y14.5	JUMPER
F	M06-0187	MHT	5/15/06	XXL01/XXL03	MINI JUMP
G	M07-0112	MHT	2/14/07	XXXL06/XXXL13	CONNECTOR ASSY 200 cc
H	M09-0065	MHT	4/13/09	XXXXL020/XXXXL061	dwg no 65771
J	EX-H-011712	JZ	2012-05-04	J.W. BAIR	sheet of 2 size A3
				engr	Product Customer Drawing
				M.HAHN	
				chr	
				appd	
				M.HAHN	
sheet	revision	J			
index	sheet	1	2		

PRODUCT NO	TERMINAL		TERMINAL SPRING	
	BODY MATERIAL	CONTACT PLATING	MATERIAL	PLATING
NOTE 3				
65771-001	.010/.025 THK. 1/4 HD. BRASS ALLOY UNS C26000	1.02μ/40μ" AU OR GXT OVER 1.27μ/50μ" NICKEL	.122/.0048 THK BE-CU ALLOY UNS C17200 HEAT TREATED	GOLD FLASH
65771-002		TIN LEAD		TIN PLATED
65771-003				OBSOLETE
65771-004	.010/.025 THK. 1/4 HD CU-NI ALLOY UNS C72500	.03/.001 MIN THK. GOLD DOT	.122/.0048 THK BE-CU ALLOY UNS C17200 HEAT TREATED	GOLD FLASH
65771-005	.25/.010 BRASS	.76μ/30μ" AU OR GXT		GOLD FLASH

LEAD FREE OPTION

PRODUCT NO	TERMINAL		TERMINAL SPRING	
	BODY MATERIAL	CONTACT PLATING	MATERIAL	PLATING
65771-001LF	.010/.025 THK. 1/4 HD. BRASS ALLOY UNS C26000	1.02μ/40μ" AU OR GXT OVER 1.27μ/50μ" NICKEL	.122/.0048 THK BE-CU ALLOY UNS C17200 HEAT TREATED	GOLD FLASH
65771-002LF		TIN		TIN PLATED
65771-004LF	.010/.025 THK. 1/4 HD CU-NI ALLOY UNS C72500	.03/.001 MIN THK. GOLD DOT	.122/.0048 THK BE-CU ALLOY UNS C17200 HEAT TREATED	GOLD FLASH
65771-005LF	.25/.010 BRASS	.76μ/30μ" AU OR GXT		GOLD FLASH

mat'l. code	surface	tolerance	projection	product family
ISO 1302	ISO 406	ISO 1101	ISO 1101	JUMPER
date	tolerances unless otherwise specified	linea	INCH/MM	title
	angles	XX±.01/XX.03	scale	CONNECTOR ASSY 200 cc
	0°±2'	XXX±.002/XXX.013	10:1	dwg no
	dr	XXX±.002/XXX.013		sheet of 2
	J.W. BAIR	2/3/89		65771
	M.HAHN	2/3/89		Product Customer Drawing
	chr			
	appd	M.HAHN		
sheet	revision			
index	sheet			