

## Data sheet

Art.No.: 92.943.3053.1

Connector GST18I4S B1 ZR1 SW

GST18i4 connector, 4 pole, female with screw connection, coding mains 250 V/ 400 V, 20 A, coding color black, strain relief color black



Art.No.	92.943.3053.1
EAN	4015573785656
Order Unit	1

Certificates / Approvals



## Technical data

### General

Rated current	20 A
Rated voltage	250 V / 400 V
Rated impulse voltage	4 kV
strain relief	Yes
Pollution degree	2
Mechanical coding	Code 1
Lockable	self-locking (unlocking by tool)
Color of coding/ contact carrier	black
Marking of poles	2, N, PE, 1
Color of housing inclusive strain relief	black

### Connection Data

Cable diameter max.	11.5 mm
Cable diameter min.	6.8 mm
Connection cross section solid mm <sup>2</sup> max.	2.5 mm <sup>2</sup>
Connection cross section solid mm <sup>2</sup> min.	0.75 mm <sup>2</sup>
Connection cross section fine stranded mm <sup>2</sup> max.	2.5 mm <sup>2</sup>
Connection cross section fine stranded mm <sup>2</sup> min.	0.75 mm <sup>2</sup>
Terminations per pole	1
sheath strip length	38.5 mm
Wire strip length	7 mm

### Model

Model	female
Connection type	Screw connection
Degree of protection (IP)	IP20

### Material

Housing material	Polyamide
------------------	-----------

halogen free	Yes
Contact material	CuZn
Fire load	0.121 kWh
Insulation components continuous temperature	100 °C
Surface finish	Tin-plated

**Dimensions**

Length	69.4 mm
Width	38 mm
Height	15 mm

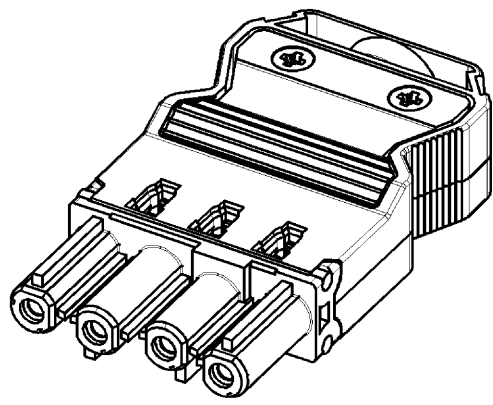
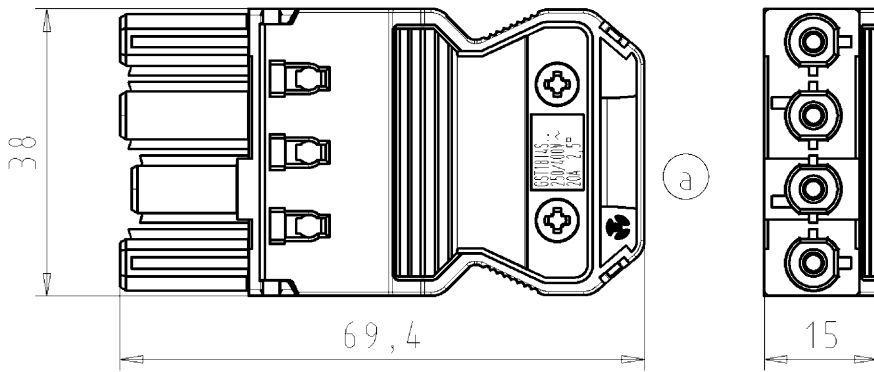
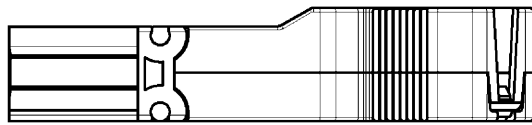
**Classification**

ECLASS 8.1	27440605
ETIM 7.0	EC002560
ETIM 6.0	EC002560
ETIM 5.0	EC002560
ETIM 4.0	EC002560

A  
B  
C  
D  
E  
F

These dimensions will be especially checked at delivery  
Only inspection dimensions  
With /E marked dimensions are only valid for internal use

Diese Maße werden bei Abnahme besonders geprüft  
Ausschließlich Prüfmaße  
Mit /E gekennzeichnete Maße sind nur für interne Zwecke gültig



Weitere Daten siehe Katalog  
further data see catalog

Weitergabe sowie Vervielfältigung dieses Dokuments, Verwertung und Mitteilung seines Inhalts sind verboten, soweit nicht ausdrücklich gestattet. Die Reproduktion, Distribution und Utilization of this document as well as the communication of its contents to others without express authorization is prohibited.

Teile-Nr. part number	Farbe colour	Typ type	Kabel- $\phi$ cable diameter
92.943.3053.0	weiß/white	GST1814S B1 ZR1 WS	6,5-12,0
92.943.3053.1	schwarz/black	GST1814S B1 ZR1 SW	6,5-12,0

Tolerierung Size ISO 14405 (E)/Tolerance system Size ISO 14405 (E).  
(This ISO-standard describes the envelope principle. According to the envelope principle the deviations of form and parallelism are limited by the size tolerances).  
ja/yes  Stoffverbots- und Deklarationsliste nach UU-TQM-05/03 ist einzuhalten.  
Conformity with Wieland document UU-TQM-05/03 (list of prohibited / declarable hazardous substances) to be declared!

Freitoleranz nach DIN ISO 2768 - m  
CAD - Zeichnung, keine manuellen Änderungen  
CAD - drawing, no manual modifications allowed  
1. Verwendung: -  
First Use:  
Blatt: 1 von 1  
Sheet: of 1

	/		Werkstoff/Material	2005	Tag/Date	Name	Zeichnung Nr./Drawing No.	Index
	/			gezeichnet drawn	11.10.	Schmitt J.		
	/	Maßstab/Scale	mm <sup>3</sup> Oil./Surf. mm <sup>2</sup>	geprüft checked	-	-	Maße in mm/Dimensions are in mm	
	/			1:1	Normgepr. Stand., check	-		
	/	Vol.	mm <sup>3</sup> Oil./Surf. mm <sup>2</sup>	Ersatz für/Replacement for: -				

	/		wieland	Type siehe Tabelle	Benennung/Tittle
a	19.10.2012/ Date / Sheet			Elektrische Verbindungen	female connector with strain-relief BUCHSENTE IL_M_ZUGENTLASTUNG
Änderung/Revision				see table	Schrb. Anchl./screw connection, unmon./unassambled 250/400V AC, 20A, 2,5qmm

929433053001K\_2 CADWZ036\_treschan 2012-10-24T08:58:43 1.000