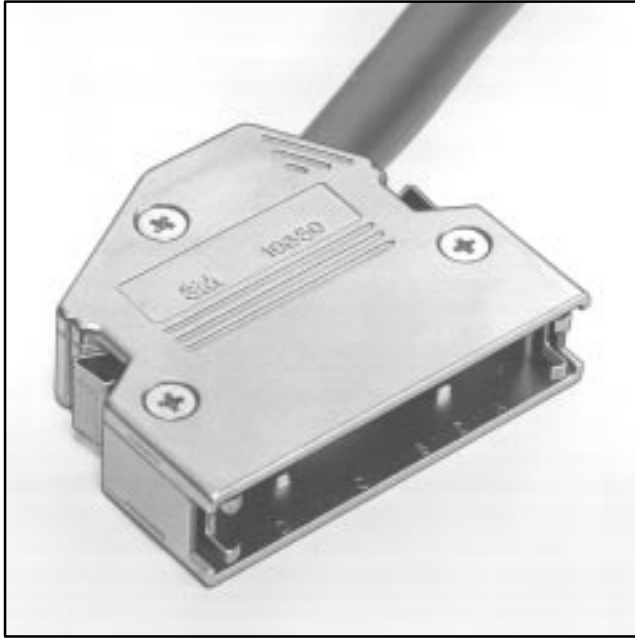


.050" Mini D Ribbon (MDR) Connectors

60° Metal Junction Shell for Round Cable

103XX-A500-00 Series



- 60° metal junction shell for round cable
- Rugged two-piece die cast metal shell with 60° round exit (compatible with 101XX-6000 EC plug)
- Reliable metal strain relief clamp provides grounding for cable shield
- Excellent EMI/ESD protection
- Quick release latching mechanism
- Positions: 26, 36, 50 and 68

Date Modified: February 19, 1999

TS-0394-04
Sheet 1 of 2

80

Physical

Shell Material: Aluminum, .050" [1.27 mm] Thick

Shell Plating: Nickel

Marking: 3M Logo and Part Identification Number

3M Interconnect Solutions Division

6801 River Place Blvd.
Austin, TX 78726-9000

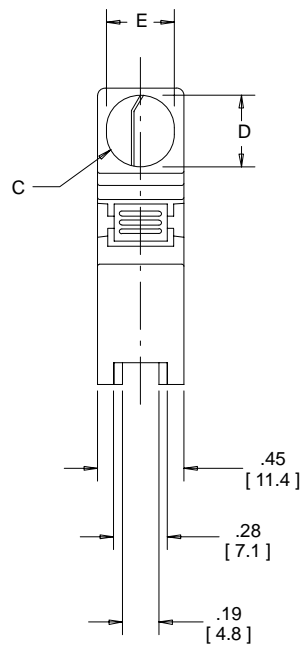
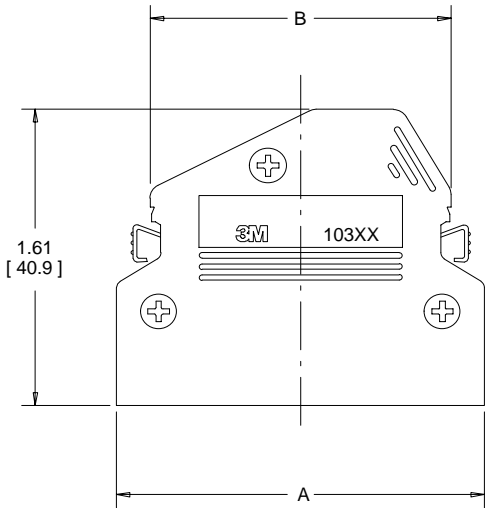
For technical, sales or ordering information call
800-225-5373

.050" Mini D Ribbon (MDR) Connectors

60° Metal Junction Shell for Round Cable

103XX-A500-00 Series

- Package Contents:**
- 1 – cable clamp, (plated steel)
 - 3 – M2.6 flat head screws
 - 2 – M2.6 pan head screws
 - 2 – Metal shell halves
 - 2 – Metal latches



Contact Quantity	Dimensions				
	A	B	C	D	E
26	1.32 [33.5]	.98 [24.8]	∅ .33 [8.5]	—	—
36	1.57 [39.8]	1.22 [31.1]	∅ .35 [9.0]	—	—
50	1.92 [48.7]	1.57 [40.0]	—	.39 [10.0]	.35 [9.0]
68	2.37 [60.1]	2.02 [51.4]	—	.47 [12.0]	.35 [9.0]

Inch
[mm]

Tolerance Unless Noted			
	.0	.00	.000
Inch	±.1	±.01	±.005

[] Dimensions for Reference only

Ordering Information

103XX-A500-00

Contact Quantity
(See Table)

TS-0394-04
Sheet 2 of 2