



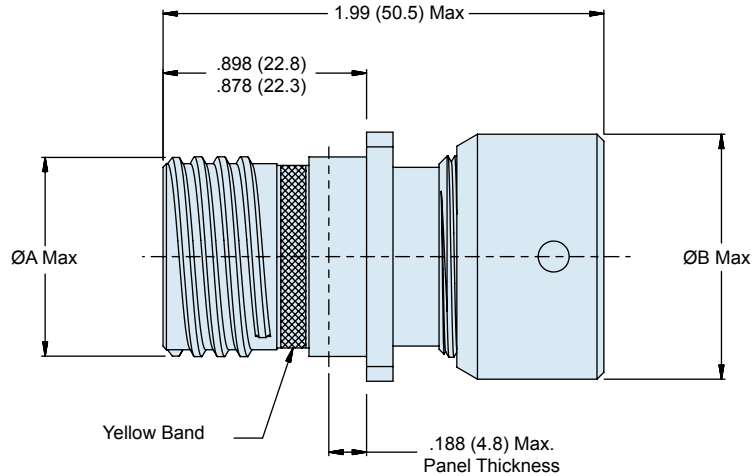
M28876 (/1, /2, /3, /4)  
180-040 (-03, -13, -23, -33)  
MIL-PRF-28876 Wall Mount Receptacle Connector  
for use with MIL-PRF-29504/14 and /15 Termini



**MIL-PRF-28876 QPL wall mount receptacle connector**

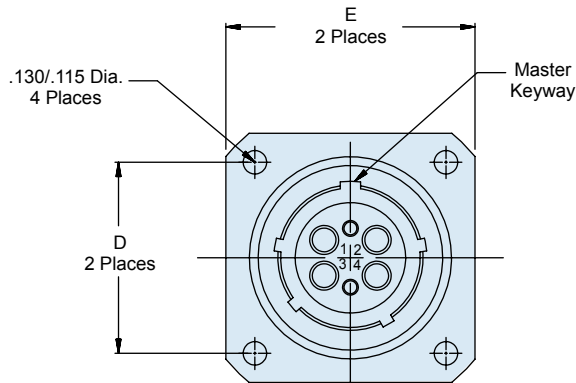


Receptacle without backshell

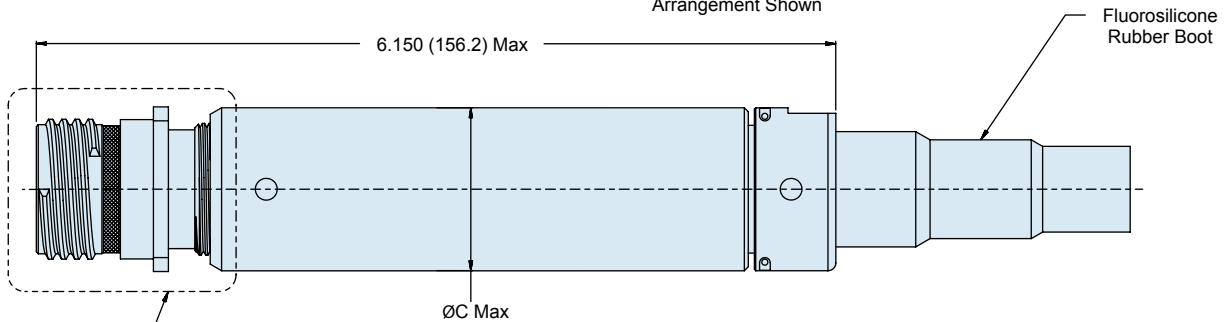


Receptacle with straight backshell

**M28876/1 • 180-040(-03)  
WALL MOUNT RECEPTACLE WITHOUT**



Shell Size 13 Insert  
Arrangement Shown



All Dimensions  
Per M28876/1

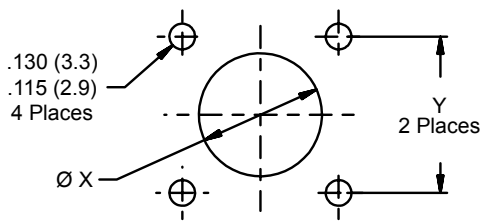
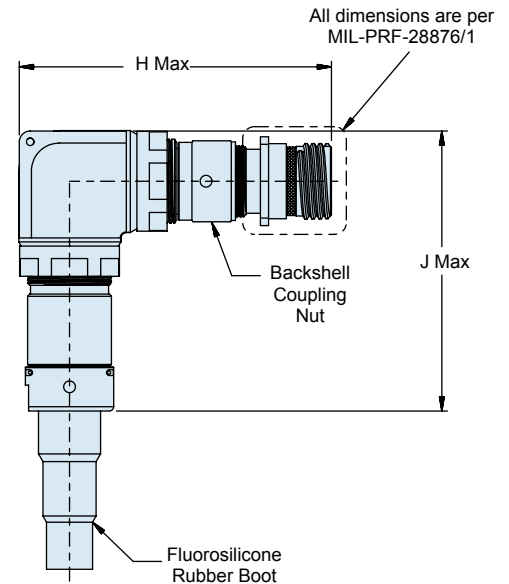
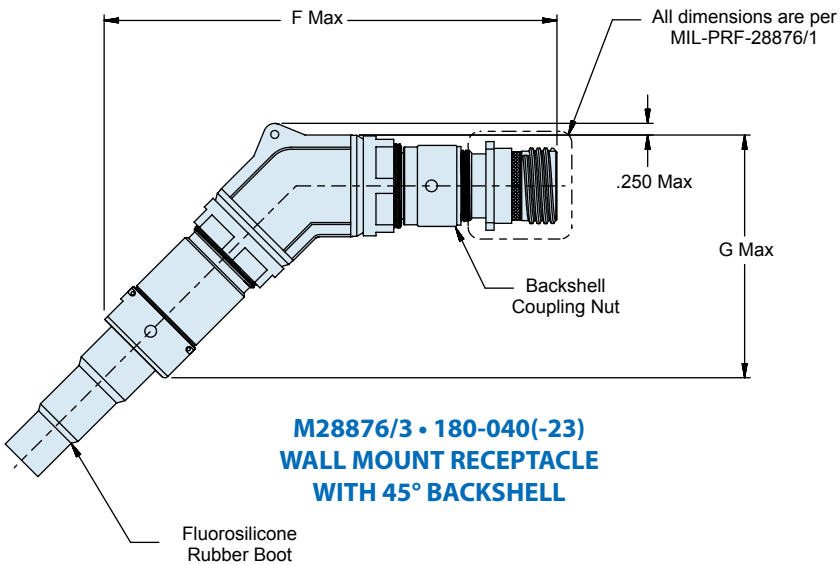
**M28876/2 • 180-040(-13)  
WALL MOUNT RECEPTACLE WITH  
STRAIGHT BACKSHELL**

J

M28876 (/1, /2, /3, /4)  
 180-040 (-03, -13, -23, -33)  
 MIL-PRF-28876 Wall Mount Receptacle Connector  
 for use with MIL-PRF-29504/14 and /15 Termini



Shell Size	ØA Max	ØB Max	ØC Max	D	E ±.020	F Max.	G Max.	H Max.	J Max.
11	0.750 (19.1)	0.960 (24.4)	0.960 (24.4)	0.750 (19.1)	1.022 (26.0)	6.150 (156.2)	3.540 (89.9)	4.250 (108.0)	4.250 (108.0)
13	0.875 (22.2)	1.085 (27.6)	1.085 (27.6)	0.843 (21.4)	1.137 (28.9)	6.220 (158.0)	3.580 (90.9)	4.250 (108.0)	4.250 (108.0)
15	1.062 (27.0)	1.255 (31.9)	1.257 (31.9)	0.968 (24.6)	1.257 (31.9)	6.500 (165.1)	3.850 (97.8)	4.500 (114.3)	4.500 (114.3)
23	1.500 (38.1)	1.695 (43.1)	1.763 (44.8)	1.281 (32.5)	1.718 (43.6)	7.500 (190.5)	5.000 (127.0)	5.000 (127.0)	5.000 (127.0)



Recommended Panel Cutout  
(Wall Mounting)

Shell Size	Ø X ± .005 (0.13)	Y ± .005 (0.13)
11	.812 (20.6)	.750 (19.1)
13	.937 (23.8)	.843 (21.4)
15	1.124 (28.6)	.968 (24.6)
23	1.562 (39.7)	1.281 (32.5)

# Mouser Electronics

Authorized Distributor

Click to View Pricing, Inventory, Delivery & Lifecycle Information:

[Glenair:](#)

[M28876/1B1S1](#) [M28876/1C1S1](#) [M28876/1C1S1N](#) [M28876/1B1S1N](#) [M28876/4C12S1](#) [M28876/1C2S1](#)  
[M28876/1C2S1N](#) [M28876/2C21S1](#)