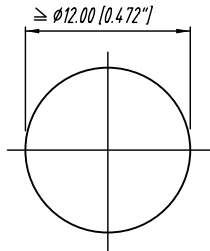
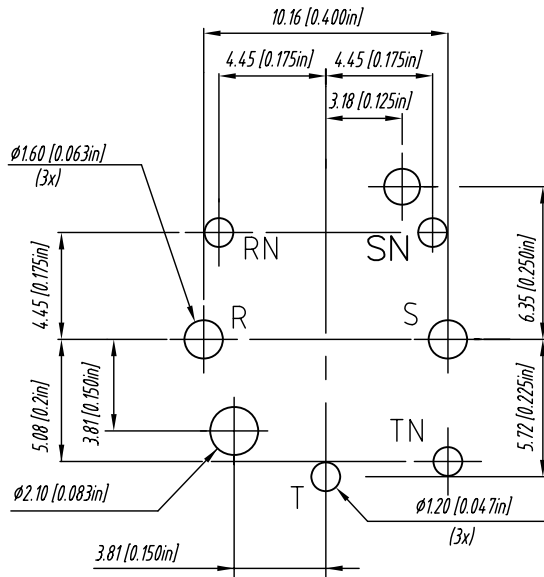
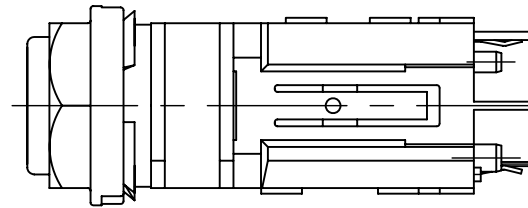
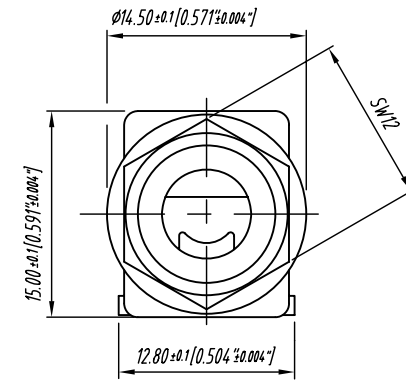
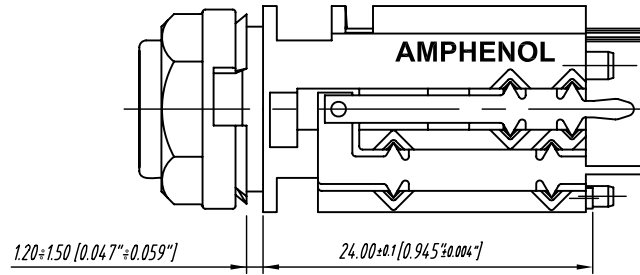


LEGEND \blacklozenge = KEY PRODUCT CHARACTERISTICS

REVISION HISTORY				
REV	REVISION HISTORY	DATE	BY	CHG No
0	FIRST ISSUED	29/01/09	M.H	8798
1	UPDATED P/N TO ACJM	11/09/12	M.H	9154



PANEL CUT OUT
REAR SIDE



PCB-LAYOUT
COMPONENT SIDE
TOLERANCE: $\pm 0.05\text{mm}$ [0.002"]

PART No.	ACJM-PVB-2	ACJM-PVB-2S	ACJS-PVB-3	ACJS-PVB-3S	ACJS-PVB-5	ACJS-PVB-6
SCHEMATIC						

UNLESS OTHERWISE SPECIFIED TOLERANCE TO BE		THIS DOCUMENT IS THE PROPERTY OF AMPHENOL AUSTRALIA PTY. LTD.. NO PART THEREOF MAY BE REPRODUCED AND USED WITHOUT THE PRIOR WRITTEN CONSENT OF THE OWNER				Amphenol Amphenol Australia Pty Ltd 2 Fiveways Blvd Keysborough VIC 3171	
LINEAR	ANGULAR	MATL:	DRN:	DATE:	TITLE:	PART No:	
X \pm 0.50	X° \pm 1°	REFER TO COMPONENTS	A.O	18/11/08	ACJS-PVB VERTICAL JACK CUSTOMER DRAWING	SEE SCHEMATIC	
X.X \pm 0.25	X°X' \pm 30'	DO NOT SCALE	CKD:	11/09/12		DRAWING NO.	SHEET
X.XX \pm 0.10	X°X'X" \pm 15'	FINISH: REFER TO COMPONENTS	APP'D:	11/09/12	CAD FILE: 55010547000111	55010547-000-1	1 OF 1
DIMENSIONS IN MILLIMETRES		THIRD ANGLE PROJECTION		SCALE: 1:1	SIZE: A4		

Mouser Electronics

Authorized Distributor

Click to View Pricing, Inventory, Delivery & Lifecycle Information:

[Amphenol:](#)

[ACJM-PVB-2](#) [ACJM-PVB-2S](#) [ACJS-PVB-3](#) [ACJS-PVB-3S](#) [ACJS-PVB-5](#)