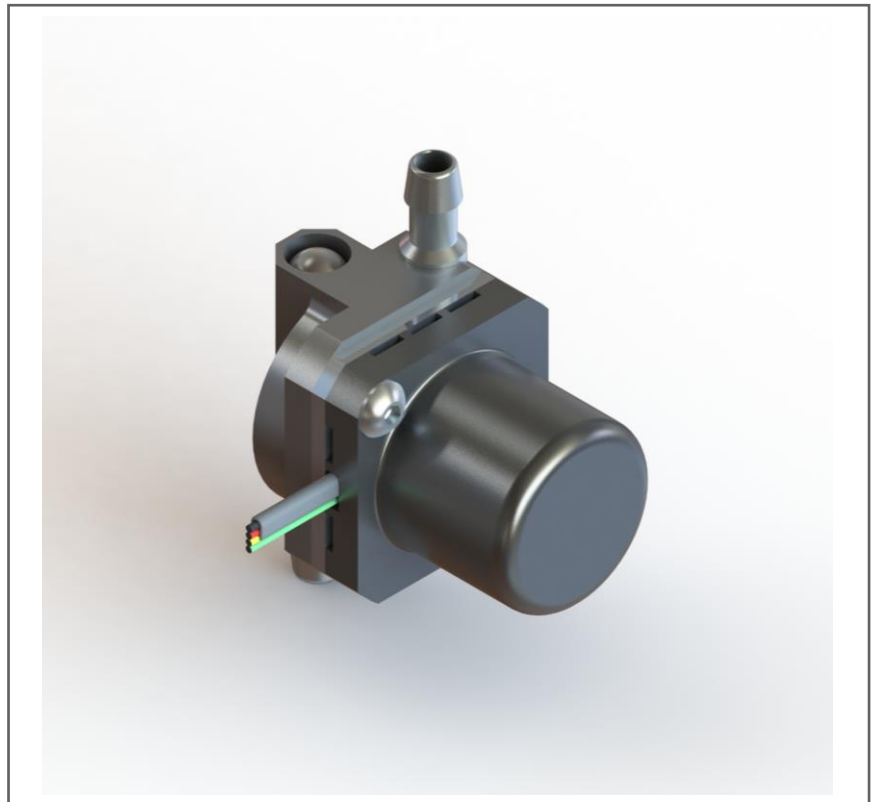


Features

- Brushless drive motor + integral controller
- Inline flow direction
- 180 degree porting design
- CNC aluminium alloy construction
- Quiet pulseless smooth flow
- Small size only 39 x 46 x 25mm
- Weight: 32g
- Freeflow upto 1000ml/min
- Useable with solar power, PSU or batteries
- Wide range of chemical resistance

RS PRO Water Pump

RS Stock No.: 702-6891



RS PRO is the own brand of RS. The RS PRO Seal of Approval is your assurance of professional quality, a guarantee that every part is rigorously tested, inspected, and audited against demanding standards. Making RS PRO the Smart Choice for our customers.

Product Description

The M400 series range of pumps are driven by a brushless drive motor with built in electronic controller. Constructed from precision CNC machined aluminium alloy with stainless steel tubing connectors and fitted with Viton seals. The pump uses efficient hose barb connectors designed for 6.0mm (S variants) or 3.2mm (K variants) semi-flexible tubing. A 220mm electrical fly-lead is fitted as standard. A feedback wire is included, which can be used optionally, to measure pump speed/output.

The M400 Is suitable for applications such as: Medical devices, Fuel cells, Battery and Solar powered systems, Cooling Systems, Low pressure fuel pump, Lubrication.

General Specifications

Type	Centrifugal Pump
Maximum Flow Rate	500-1000ml (6-12v)
Input Connection	5.5mm Hose Barb
Input Connection Size	3.2mm I.D semi-flexible tubing
Output Connection Size	3.2mm I.D semi-flexible tubing
Maximum Pressure	340mbar (gauge)
Maximum System Pressure	2Bar
Materials	Anodised 6000 series aluminium, 316 Stainless steel, FKM, Polyacetal, Materials typical to a brushless motor.
Coupling Type	Direct drive
Maximum Fluid Temperature	60°C
Head Type	Single
Noise Level	40dB @ 12v (measured from 1m distance)
Auto On/Off Switch	No
Built-in Water Filter	No

Electrical Specifications

Connection	Stripped wires, DC
Supply Voltage	6-12v
Input Power	1.5/6.7W @ 6/12V

Mechanical Specifications

Dimensions	25 x 46 x 39 mm
------------	-----------------

Weight	32g
--------	-----

Approvals

Compliance/Certifications	ISO 9001 Quality Control Standard
Declarations	TCS Declaration of Conformity - RoHS Directive 2011/65/EU, SVCH, CMRT, 3TG and REACH compliant.

Protection Category

Safety Category Level	S1
IP Rating	IP 45

Similar Products

Stock No.	Brand	Maximum Flow Rate	Input Connection	Input Power
702-6872	RS PRO	2600ml/min	DC	1.8-8W
702-6876	RS PRO	1000ml/min	DC	1.5-6.7W
702-6882	RS PRO	2600ml/min	DC	1.8-8W

TEST CONDUCTED ON 10:1 WATER:GLYCOL MIX AT 6V-12V RESPECTIVELY.

