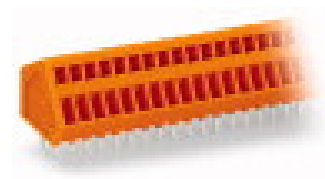


PCB terminal strip; 2 solder pins/pole; 10-pole; pin spacing 2.54 mm / 0.1 in

Item No.: 233-410



PCB terminal strip; 2 solder pins/pole; 10-pole; pin spacing 2.54 mm / 0.1 in

Marking

RoHS ✓
Compliant

Business data

| | |
|----------------------|---------------|
| Supplier | WAGO |
| Item no. | 233-410 |
| GTIN / EAN | 4045454050047 |
| Content | 1 |
| Order amount | 45 |
| Customer item number | |

Notes

Compact terminal strips with CAGE CLAMP® connection and screwdriver actuation parallel or perpendicular to conductor entry
Double solder pins for high mechanical stability
Custom color combinations

Technical data

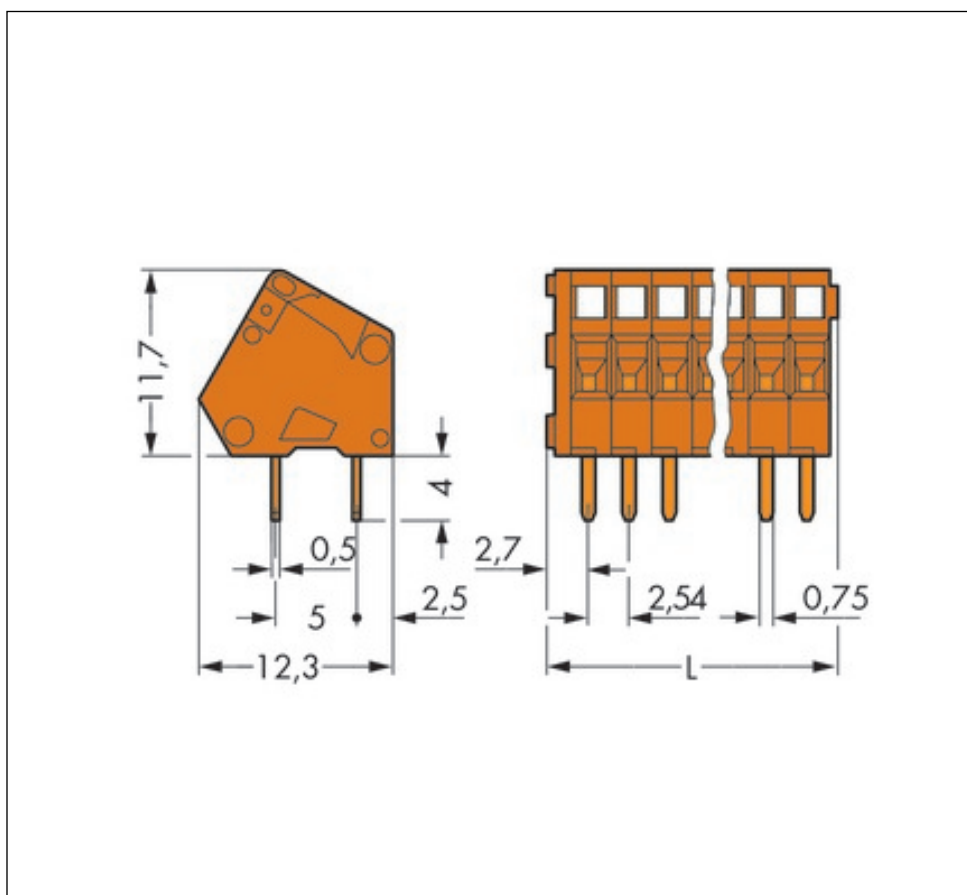
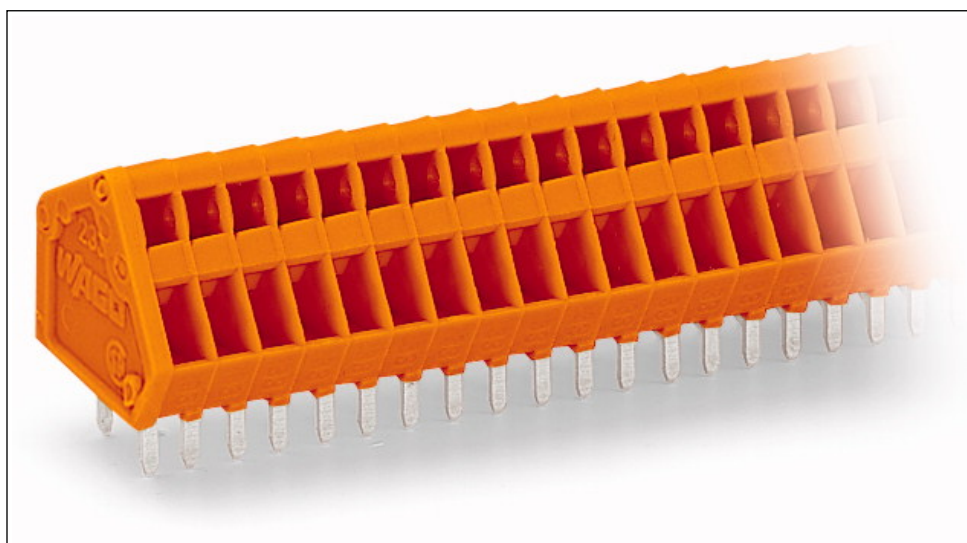
Miscellaneous

| | |
|-----------------------------------|--------------------|
| No. of poles | 10 |
| Pin spacing | 2.54 mm / 0.1 in % |
| Total number of connection points | 10 |
| Total number of potentials | 10 |
| Color | orange |
| Ratings according to 1 | IEC/EN 60664-1 |
| Overvoltage category EN 1 | III |
| Pollution degree (1) | 2 |

| Technical data | |
|--|--|
| Rated voltage EN (1) [V] | 160 [V] |
| Rated surge voltage (1) [kV] | 2.5 [kV] |
| Nominal current [A] | 6 [A] |
| Overvoltage category EN 2 | II |
| Degree of pollution (2) | 2 |
| Rated voltage EN (2) [V] | 320 [V] |
| Rated surge voltage (2) [kV] | 2.5 [kV] |
| Nominal current (2) [A] | 6 [A] |
| Overvoltage category EN 3 | III |
| Degree of pollution (3) | 3 |
| Rated voltage EN (3) [V] | 63 [V] |
| Rated surge voltage (3) [kV] | 2.5 [kV] |
| Nominal current (3) [A] | 6 [A] |
| Number of individual connection objects at the product | 1 |
| Connection technology (1) | CAGE CLAMP® |
| Solid sizes 1 | 0.08 ... 0.5 mm ² / 28 ... 20 AWG |
| Fine-stranded wires 1 | 0.08 ... 0.5 mm ² / 28 ... 20 AWG |
| Fine-stranded wires with insulated ferrule 1 | 0.25 mm ² / AWG |
| Fine-stranded wires with uninsulated ferrule 1 | 0.25 mm ² / AWG |
| Strip length 1 | 5 ... 6 mm / 0.2 ... 0.24 in |
| Conductor entry angle to the PCB 1 [°] | 30 [°] |
| Solder pin arrangement | in line |
| Solder pin length [mm] | 4 [mm] |
| Solder pin width A [mm] | 0.5 [mm] |
| Solder pin width B [mm] | 0.75 [mm] |
| Drilled hole diameter (tolerance) [mm] | 1.1(+ 0.1) [mm] |
| Material group | I |
| Insulating material | Polyamide 66 (PA 66) |
| Flammability rating per UL 94 | V0 |
| Limit temperature range | -60 C ... 105 C |
| Clamping spring material | Chrome-nickel spring steel (CrNi) |
| Contact material | Electrolytic copper (Ecu) |
| Contact plating | tin-plated |
| Fire load [MJ] | 0.054 [MJ] |
| Weight [g] | 3.482 [g] |

| Technical data | |
|--------------------------------|---------------------------|
| <i>Width</i> | <i>27.7 mm / 1.091 in</i> |
| <i>Height</i> | <i>15.7 mm / 0.618 in</i> |
| <i>Height from the surface</i> | <i>11.7 mm / 0.461 in</i> |
| <i>Length</i> | <i>12.1 mm / 0.476 in</i> |

Images & drawings



Address

WAGO Kontakttechnik GmbH & Co. KG

Hansastr. 27

32423 Minden

Telefon: 0571/887-0

Fax: 0571/887-169

<http://www.wago.com>

© WAGO Kontakttechnik GmbH & Co. KG

Technische Änderungen und Irrtümer vorbehalten.