

PRODUCT NUMBER  
77311-YXX-XXLF

PLATING SEE SHEET 2  
PIN STYLE SEE SHEET 2

WHEN REQUIRED, ADD SUFFIX LETTER "LF"  
INDICATES THE PRODUCT IS RoHS  
COMPATIBLE, SEE NOTE 6  
TOTAL NB OF POSITIONS 01 TO 36  
OPTION LETTER SEE NOTE 7

PRODUCT NUMBER (BERGSTRIK PACKAGING)  
77311-YXX-00LF

PLATING  
1= 0.76µm GOLD/GXT ON CONTACT  
AREA, 2µm TIN MIN ON TAILS  
8= 0.38µm GOLD/GXT ON CONTACT  
AREA, 2µm TIN MIN ON TAILS  
4= 2.0µm TIN MIN FULL PLATED  
1.27µm NICKEL MIN UNDERLAYER FOR  
ALL PLATING VERSIONS

INDICATES THE PRODUCT IS RoHS  
COMPATIBLE, SEE NOTE 6  
POSITIONS PER REEL : 00=36,000 (BERGSTRIK)

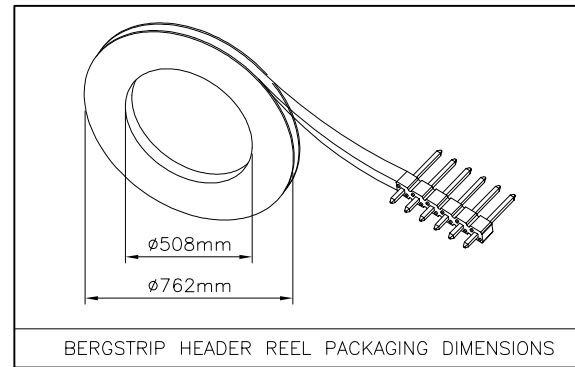
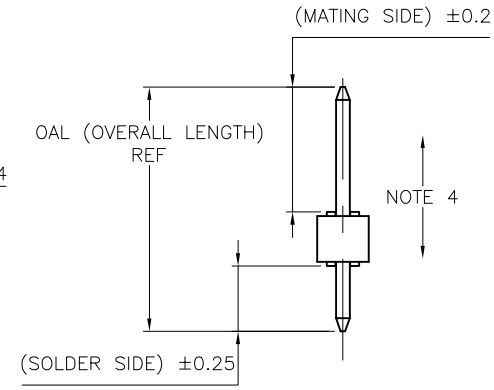
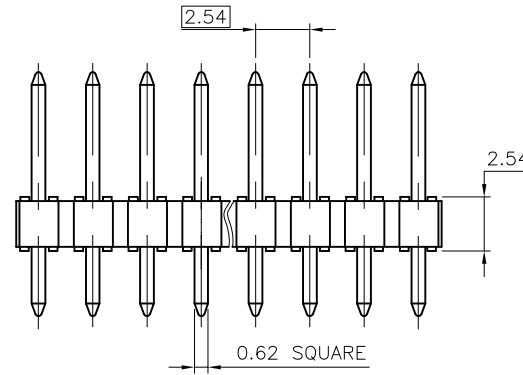
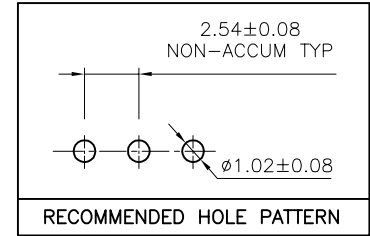
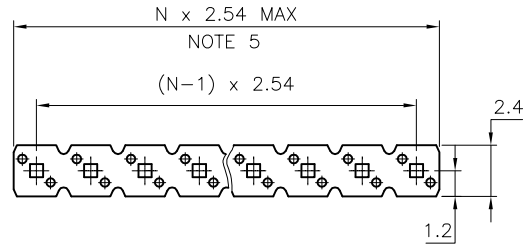
PIN STYLE	MATING	SOLDER	OAL
01	5.84	2.41	10.8
02	5.84	3.42	11.8
18	5.84	3.05	11.43
22	7.75	3.05	13.35
24	6.75	2.9	12.2
27	6.6	2.66	11.8

NOTES:

- HOUSING MAT'L : HIGH TEMPERATURE THERMOPLASTIC. UL94V-0 COLOR: BLACK
- PIN MATERIAL : PHOSPHOR BRONZE
- BERGSTRIK PRODUCT PACKAGED IN POLY BAGS. BERGSTRIK PRODUCT PACKAGED PER REELS.
- 9N MIN RETENTION IN EITHER DIRECTION
- TO DETERMINE DIMENSIONS :  
N = NUMBER OF POSITIONS PER ROW  
EXAMPLE : 8 POS N x 2.54 = 20.32mm
- RoHS COMPATIBLE PRODUCT SPECIFICATIONS
  - PLATING:
    - "LF" MEANS THE PRODUCT IS LEAD-FREE, 2µm MINIMUM MATTE TIN OVER 1.27µm MINIMUM NICKEL UNDERPLATE.
  - MANUFACTURING PROCESS COMPATIBILITY
    - THE HOUSING WILL WITHSTAND EXPOSURE TO 260°C ±5°C SOLDER BATH TEMPERATURE FOR 5 SECONDS IN A WAVE SOLDER APPLICATION WITH A 1.6mm MIN THICK CIRCUIT BOARD.
  - LABELING:
    - MEETS PACKAGING SPECS AS PER GS-14-920
  - LEGAL STATEMENT: SEE GS-22-008

7. OPTION LETTER :

- T = TUBE PACKAGING WITHOUT PICK UP CAP  
K = TAPE & REEL PACKAGING, WITHOUT PICK UP CAP ONLY FOR P/N 77311-462K04(LF) AND 77311-462K05(LF)  
C = HIGHT RETENTION FEATURES, SEE SHEET 2  
R = RETENTION FEATURES, SEE SHEET 2  
IF RETENTION FEATURE "R" AND TUBE PACKAGING "T" ARE BOTH REQUIRED  
OPTIONAL LETTER "R" WILL APPEAR INSTEAD OF THE FIRST DASH  
EXAMPLE : 77311R424T03LF



mat'l. code SEE NOTES		surface ISO 1302	tolerance ISO 406 ISO 1101	projection	product family BERGSTIK
ltr	ecn no	dr	date	tolerances unless otherwise specified	title UNSHR.HEADER STR SR TMT
BG	F08-0148	RTR	08.03.31	angles linear .x ±0.3	dwg no 77311 sheet 1 of 2 size A3
BH	F08-0250	LMU	08.12.16	.xx ±0.15	
BJ	F09-0078	LMU	09.08.24	.xxx ±0.05	scale 5:1
BD	F07-0125	LMU	07.02.05	dr D.LE 01.01.24	FCJ
BE	F07-0155	J.CO	07.03.15	enrg JM.C 01.01.24	
BF	F07-0255	LMU	07.09.11	chr JM.C 01.01.24	
				appd JF.N 01.01.24	
sheet index	revision sheet	BH	BB		
		1	2		

CORE RANGE

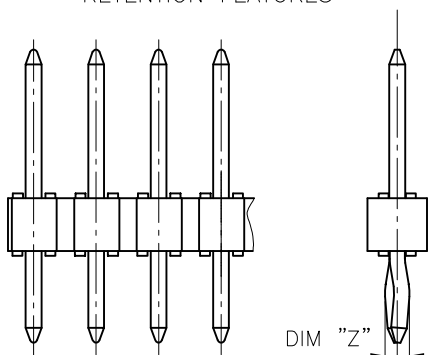
PLATING	PIN STYLE	MATING	SOLDER	OAL
1	01	5.84	2.41	10.8
1	18	5.84	3.05	11.43

PLATING

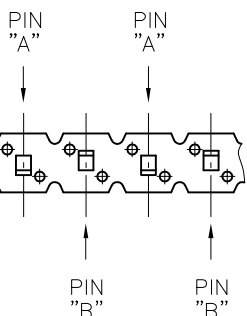
1 = 0.76µm GOLD/GXT ON CONTACT AREA  
3.81µm TIN/LEAD ON TAIL

- WHEN "LF" IS REQUIRED, 2µm MATTE TIN OVER 1.27µm MIN NICKEL IS PROVIDED INSTEAD OF TIN-LEAD

RETENTION FEATURES



DIM "Z"  
SEE NOTE 1



PLATING SPECIFICATIONS :

6 - 8.0MM GOLD / GXT PLATING AREA FROM PIN TIP ON MATING SIDE

CATALOGUE RANGE

PLATING	PIN STYLE	MATING	SOLDER	OAL
4/8	01	5.84	2.41	10.8
1/4/8	02	5.84	3.42	11.8
4/8	18	5.84	3.05	11.43
1/4/8	22	7.75	3.05	13.35
1/4/8	24	6.75	2.9	12.2
1/4/8	27	6.6	2.65	11.8

PLATING

1 = 0.76µm GOLD/GXT ON CONTACT AREA  
3.81µm TIN-LEAD ON TAIL

4 = 3.81µm TIN-LEAD ON CONTACT AREA AND ON TAIL

8 = 0.38µm GOLD/GXT ON CONTACT AREA  
3.81µm TIN-LEAD ON TAIL

- WHEN "LF" IS REQUIRED, 2µm MATTE TIN OVER 1.27µm MIN NICKEL IS PROVIDED INSTEAD OF TIN-LEAD

RETENTION FEATURES :

- PART NUMBER 77311-XXXXXXLF: DIM "Z"=(0.99)  
PART NUMBER 77311-XXXXXXLF: DIM "Z"=(1.05)
- PINS "A" AND "B" USED FOR RETENTION.
- DIRECTION OF RETENTION SHOWN BY ARROWS.
- ON 4 TO 36 POSITIONS HEADER; RETENTION IS IN MID POSITION OF HEADER (4 CENTRAL PINS)
- FOR RETENTION OPTION , SOLDER TAIL LENGTH TO BE 2.9 MIN UP TO 3.5 MAX.

APPLICATION SPECIFIC

PLATING	PIN STYLE	MATING	SOLDER	OAL
1/4/8	03	5.72	5.09	13.35
1/4/8	05	5.72	10.14	18.4
1/4/8	15	8.51	2.55	13.6
1/4/8	19	12.83	3.03	18.4
1/4/8	20	15.37	3.04	20.95
1/4/8	26	15.57	2.84	20.95
1/4/8	29	17.5	3.46	23.5
1/4/8	32	10.3	3.05	15.9
1/4/8	38	5.84	3.82	12.2
1/4/8	46	8.08	2.98	13.6
1/4/8	58	14.47	3.05	20.06
1/4/8	62	13.5	3.05	19.09
1/4/8	70	6.54	3.50	12.57
1/4/8	83	20.46	3.00	26.00
1/4/8	85	5.72	8.51	16.76
1/4/8	87	6.98	3.05	12.57
1/4/8	91	5.6	10.21	18.35
1/4/8	92	5.65	12.76	20.95
1/4/8	93	6.00	4.81	13.35
1/4/8	94	15.60	3.20	21.25

SEE NOTE 6

PLATING

1 = 0.76µm GOLD/GXT ON CONTACT AREA  
3.81µm TIN-LEAD ON TAIL

4 = 3.81µm TIN-LEAD ON CONTACT AREA AND ON TAIL

8 = 0.38µm GOLD/GXT ON CONTACT AREA  
3.81µm TIN-LEAD ON TAIL

- WHEN "LF" IS REQUIRED, 2µm MATTE TIN OVER 1.27µm MIN NICKEL IS PROVIDED INSTEAD OF TIN-LEAD

mat'l. code		surface ISO 1302		tolerance ISO 406 ISO 1101		projection		product family BERGSTIK	
ltr	ecn no	dr	date	tolerances unless otherwise specified		mm		title	
AV	F07-0125	LMU	07.02.05	angles		linear		UNSHR.HEADER	
AW	F07-0155	LMU	07.03.15					STR SR TMT	
AX	F07-0255	LMU	07.09.11					scale N/A	
AY	F08-0148	RTR	08.03.31	dr	D.LE	01.01.24	dwg no		sheet 2 of - size
BA	F08-0250	LMU	08.12.16	engr	JM.C	01.01.24	77311		A3
BB	F09-0078	LMU	09.08.24	chr	JM.C	01.01.24	type CUSTOMER		Drawing
				appd	JF.N	01.01.24			
sheet index	revision sheet								