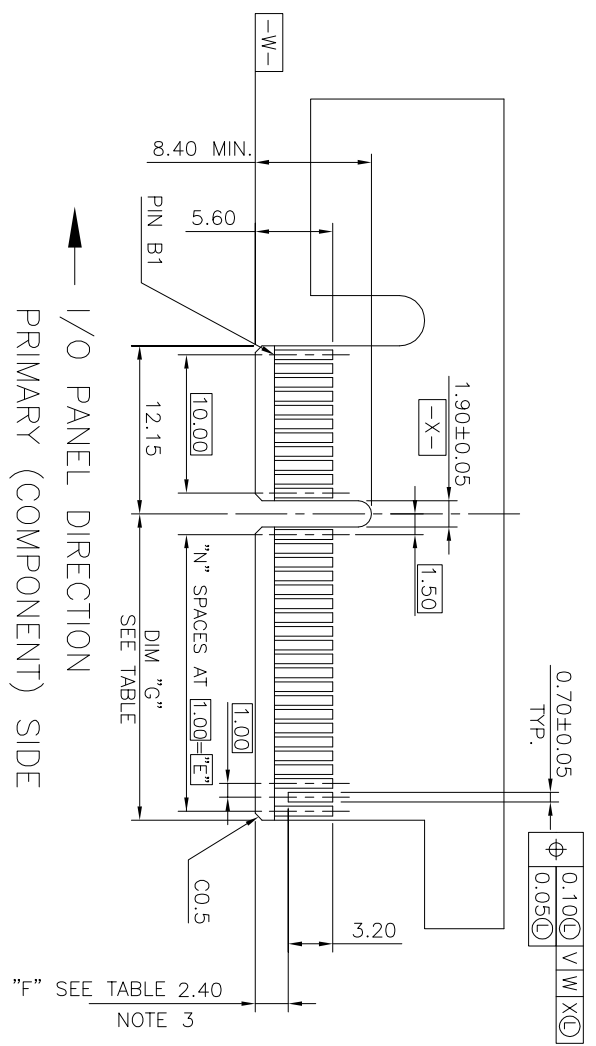


SCALE 2:1

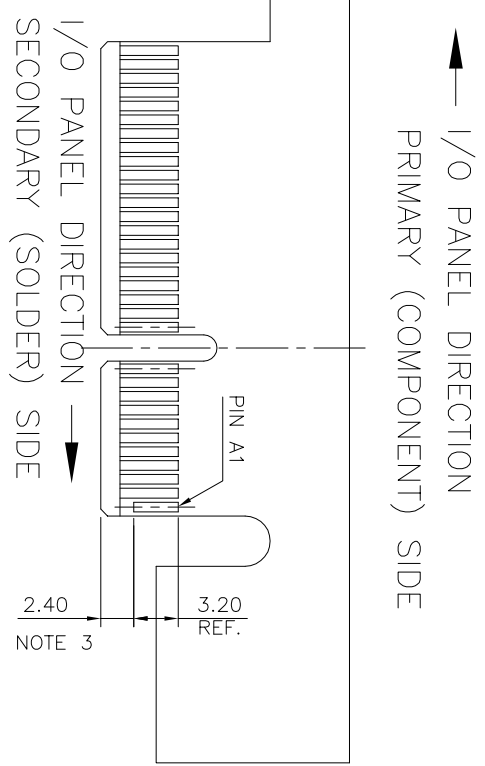
RECOMMEND OF PCB DIMENSIONS

# POS REF.	N	DIM "H"	DIM "E"
36	6	12.30	6.00
64	20	26.30	20.00
98	37	43.30	37.00
164	70	76.30	70.00

mat'l. code	surface	tolerance	projection	product family
	ASME Y14.5		MM	PCI EXPRESS
tr	ecn no	dr	date	title
				PCI_EXPRESS_CARD_EDGE_GEN3
				STRADDLE_MOUNT_ASSY
				scale N/A
				dwg no
				10025026
				sheet 2 of 7
				size
				A4
sheet	revision	L		
index	sheet	7		



SCALE 2:1



# POS REF.	N	DIM "G"	"F"
36	6	8.15	B17
64	20	22.15	B31
98	37	39.15	B48
164	70	72.15	B81

ADD-IN CARD EDGE-FINGER DIMENSIONS

mat'l. code	surface	tolerance	projection	product family
	ASME Y14.5			PCI EXPRESS
tr	ecm no	dr	date	title
				PCI_EXPRESS_CARD_EDGE_GEN3
				STRADDLE_MOUNT_ASS'y
				dwg no
				10025026
				sheet 3 of 7
				size
				A4
sheet	revision	L		type
index	sheet	7		CUSTOMER Drawing

CONNECTOR	# POS REF.	N	DIM "A"	DIM "B"	DIM "C"	"E"	"F"
1 PORT	36	6	7.65	25.00	12.50	6.00	34.8
4 PORT	64	20	21.65	39.00	26.50	20.00	48.8
8 PORT	98	37	38.65	56.00	43.50	37.00	65.8
16 PORT	164	70	71.65	89.00	76.50	70.00	98.8

NOTES:

1. MATERIAL: RATED.
HOUSING: HIGH TEMPERATURE NYLON, GLASS FILLED UL94V-0
TERMINAL: COPPER ALLOY
PLATING: SEE PRODUCT NUMBER CODE
METAL BOARD LOCKS: COPPER ALLOY
FINISH: 100u" TIN OVER 50u" NICKEL UNDERPLATE
2. PRODUCT SPECIFICATION: GS-12-233
- ③ NO THE BAR PERMITTED FROM CARD EDGE TO LEADING EDGE OF PAD FOR PINS A1 AND PIN NUMBERS "F".
- ④ CHAMFER EDGES MUST BE FREE OF CUTTING BURRS.
- ⑤ FREQUENCY & LOCATION AT SUPPLIER DISCRETION. RIDGE MAY BE CONTINUOUS WITH NO BREAKS.
6. ROHS COMPATIBLE PRODUCT SPECIFICATIONS
 - a - PLATING:
 - "LF" MEANS THE PRODUCT IS LEAD-FREE
 - b - MANUFACTURING PROCESS COMPATIBILITY
 - THE HOUSING WILL WITHSTAND EXPOSURE TO 260°C±5°C SOLDER BATH TEMPERATURE FOR 5 SECONDS IN A REFLOW SOLDER APPLICATION.

PRODUCT NUMBER CODE
10025026 -X 0 X 0 X I 0 0

LEAD FREE OPTION

"LF" FOR TERMINAL PLATING OPTION 0.1,2

- HOUSING COLOR OPTIONS
- 0-NATURAL, HALOGEN
 - 1-BLACK, HALOGEN
 - 2-NATURAL, HALOGEN FREE
 - 3-BLACK, HALOGEN FREE
- RESERVE

TERMINAL PLATING OPTIONS

- 0-50u" NI UNDERPLATE
- 30u" Au CONTACT AREA
- 100u" TIN TAIL AREA ----- COMPATIBLE ROHS
- 1-50u" NI UNDERPLATE
- 15u" Au CONTACT AREA
- 100u" TIN TAIL AREA ----- COMPATIBLE ROHS
- 2-50u" NI UNDERPLATE
- GOLD FLASH CONTACT AREA
- 100u" TIN TAIL AREA ----- COMPATIBLE ROHS
- 3-50u" NI UNDERPLATE
- 30u" Au CONTACT AREA
- 100u" TIN/LEAD TAIL AREA ----- INCOMPLIANT ROHS
- 4-50u" NI UNDERPLATE
- 15u" Au CONTACT AREA
- 100u" TIN/LEAD TAIL AREA ----- INCOMPLIANT ROHS
- 5-50u" NI UNDERPLATE
- GOLD FLASH CONTACT AREA
- 100u" TIN/LEAD TAIL AREA ----- INCOMPLIANT ROHS

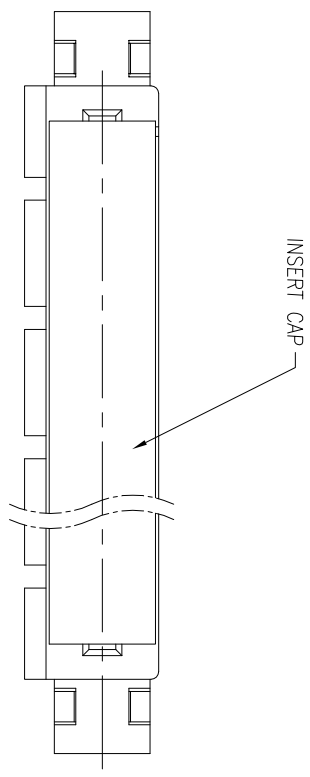
- POS OPTIONS
- 0-36
 - 1-64
 - 2-98
 - 3-164

- PACKAGING OPTIONS
- T: TRAY PACKAGING(IN GENERAL VERTICAL DIRECTION)
 - C: TAPE & REEL WITH INSERT CAP (FOR 98P ONLY)
 - H: TRAY PACKAGING(IN SPECIAL HORIZONTAL DIRECTION FOR 164P ONLY)
 - P: TRAY PACKAGING WITH INSERT CAP
 - S: TRAY PACKAGING WITH INSERT CAP(IN SPECIAL HORIZONTAL DIRECTION)

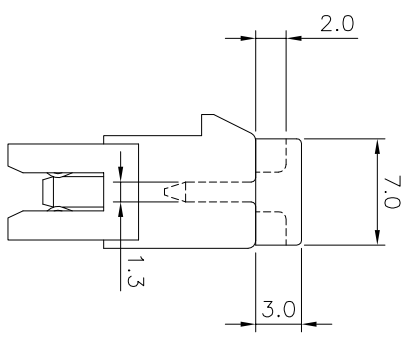
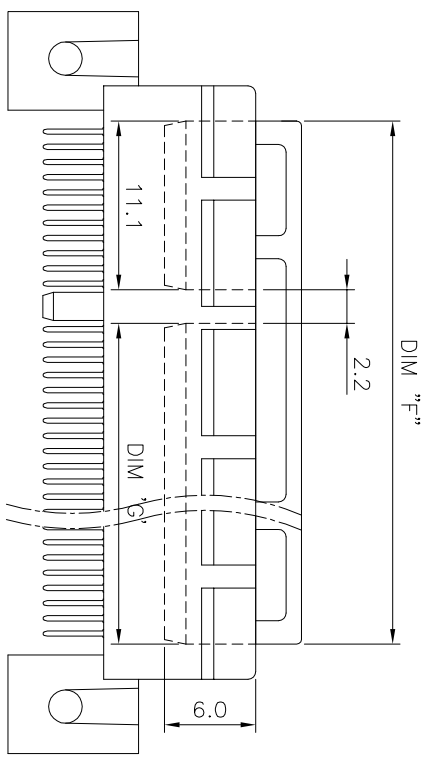
DIM "D"	PCB THICKNESS
3.85 +0.25	1.56
-0.13	

TAIL LENGTH OPTIONS

mat'l. code	ec'n no	dr	date	surface	tolerance	projection	product family
				ASME Y14.5	0.2, 0.30	MM	PCI EXPRESS
				tolerances unless otherwise specified	.002, 0.20	MM	PCI EXPRESS_CARD_EDGE_GEN3
				±Z	.000±0.10	MM	STRADDLE_MOUNT_ASS'y
				DR	ZHENHUA_LIU	scale N/A	dwg no
				ENGR	ZHENHUA_LIU		10025026
				CHR	STONE_LI		sheet 4 of 7
				QPPD	PM_ZHENG		size
					2016-03-25		A4
					2016-03-25		CUSTOMER Drawing
sheet	revision	L					
index	sheet	7					



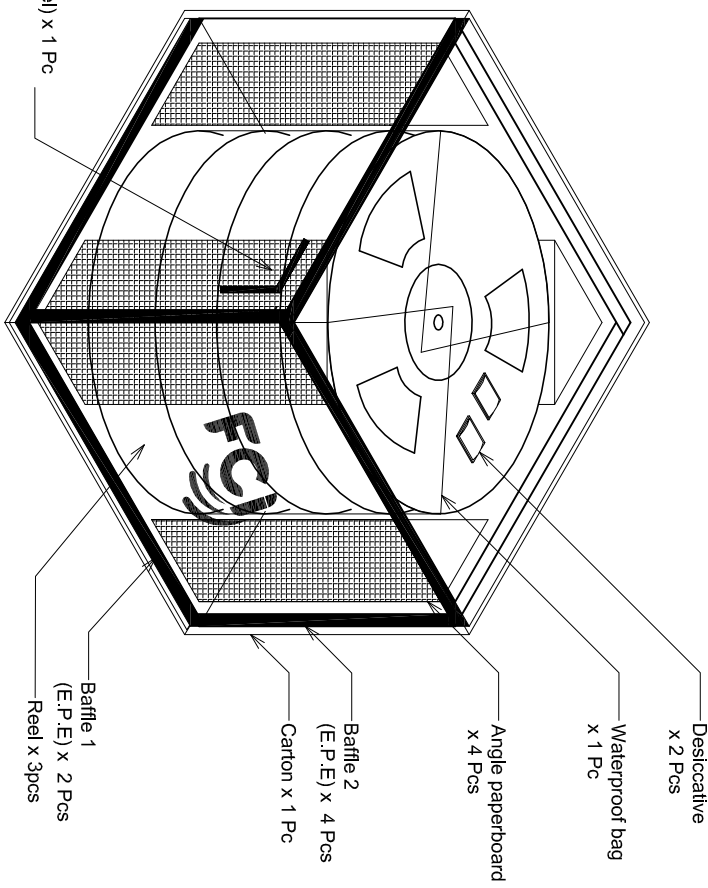
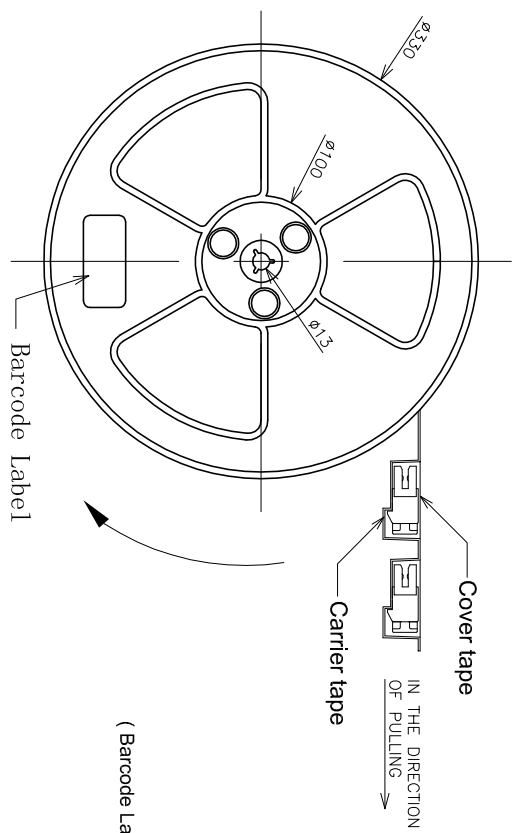
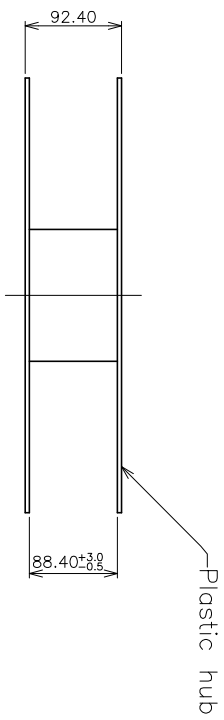
DIMENSIONS		
POSITION	F	G
36	20.4	7.1
64	34.4	21.1
98	51.4	38.1
164	84.4	71.1



mat'l. code	surface	tolerance	projection	product family
itr	ecn no	dr	date	PCI EXPRESS
tolerances unless otherwise specified ASME Y14.5				
angles	±2°	.00±0.20	MM	title
dr	ZHENHUA_LIU	2016-03-25	scale N/A	PCI_EXPRESS_CARD_EDGE_GEN3
engr	ZHENHUA_LIU	2016-03-25		STRADDLE_MOUNT_ASS'y
chr	STONE_LI	2016-03-25		dwg no
qppd	PM_ZHENG	2016-03-25		10025026
sheet index	revision	L		sheet 5 of 7
	sheet	7		size
				A4



- NOTE:
1. REEL MATERIAL : PS, BLACK
 2. CARRIER MATERIAL : PS
 3. COVER TAPE MATERIAL : PS
 4. COVER TAPE REEL STRENGTHH : 13"
 5. QUANTITY : 150 PCS/REEL
 6. Carton : 380(L) * 380(W) * 300(H) mm

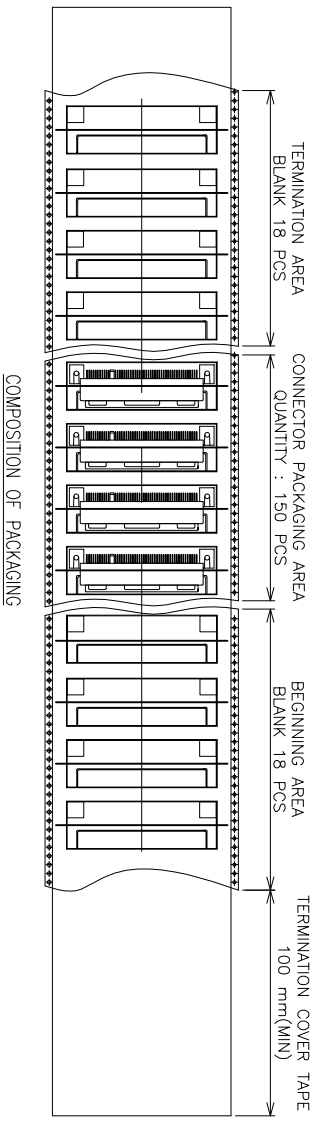
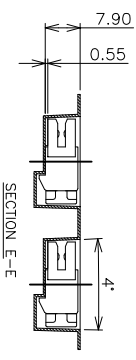
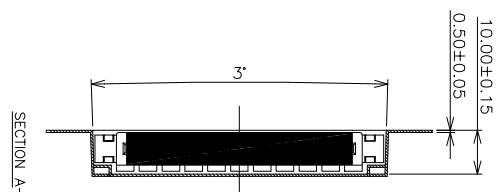
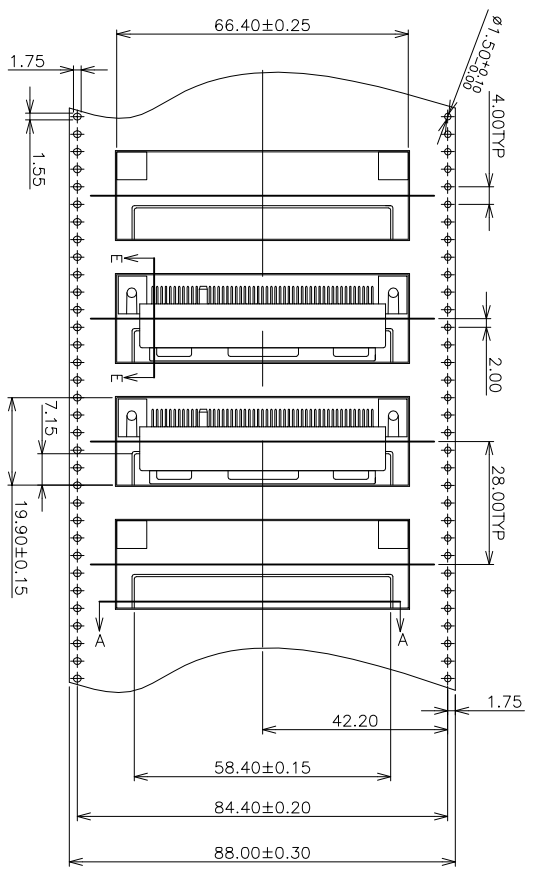


Part No	10025026-XXXX(LF)
---------	-------------------

NO. OF CONTACTS	98
REEL/CARTON	3
PCS/REEL	150
QUANTITY(PCS)	450

(Barcode Label) x 1 Pc

mat'l. code	surface	tolerance	projection	product family
ASME_Y14.5	ASME_Y14.5	ASME_Y14.5	ASME_Y14.5	PCI_EXPRESS
itr	ecn no	dr	date	title
				PCI_EXPRESS_CARD_EDGE_GEN3
				STRADDLE_MOUNT_ASS'y
	angles	±2°	MM	dwg no
		.000±0.10	MM	10025026
	dr	ZHENHUA_LIU	2016-03-25	sheet 6 of 7
	eng	ZHENHUA_LIU	2016-03-25	size
	chr	STONE_LI	2016-03-25	A4
	qppd	PM_ZHENG	2016-03-25	type
sheet	revision	L		CUSTOMER Drawing
index	sheet	7		



IN THE DIRECTION OF PULLING

mat'l. code	surface	tolerance	projection	product family
	ASME_Y14.5			PCI EXPRESS
itr	ecdn no	dr	date	title
				PCI_EXPRESS_CARD_EDGE_GEN3
	angles			STRADDLE_MOUNT_ASS'Y
	±2°			
dr	ZHENHUA_LIU	2016-03-25	scale N/A	dwg no
engr	ZHENHUA_LIU	2016-03-25		10025026
chr	STONE_LI	2016-03-25		sheet 7 of 7
qppd	PM_ZHENG	2016-03-25		size
				A4
sheet index	revision	L		type
	sheet	7		CUSTOMER Drawing