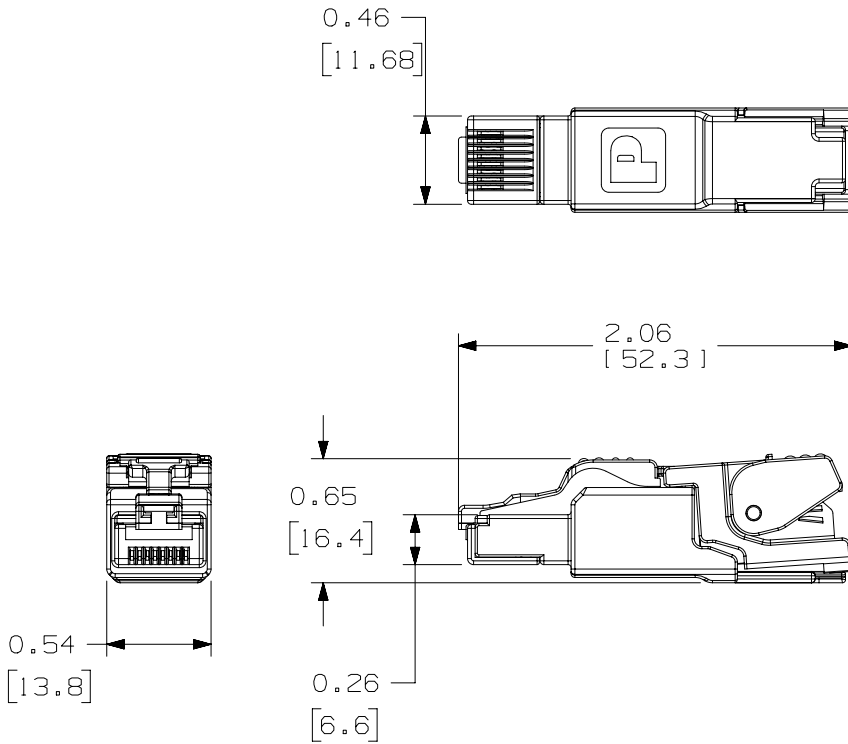


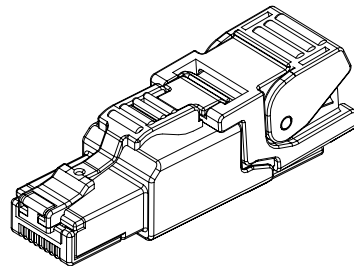
THIS COPY IS PROVIDED ON A RESTRICTED BASIS AND IS NOT TO BE USED IN ANY WAY DETRIMENTAL TO THE INTERESTS OF PANDUIT CORP.

2

1



DUST CAP REMOVED
IN ALL VIEWS



NOTES:

1. CONSTRUCTED TO MEET THE CONNECTOR STANDARD IEC 60603-7.
2. THE TRANSMISSION PERFORMANCE IS 1 GIGABIT ETHERNET AND IS ADEQUATE FOR PoE ACCORDING TO IEEE 802.3af AND PoE ACCORDING TO IEEE 802.3at
3. MEETS THE FOLLOWING CATEGORIES:
 - A. EXCEEDS CHANNEL AND PATCH CORD REQUIREMENTS OF ANSI/TIA-568-C.2 CATEGORY 6 AND CATEGORY 5e, AND ISO 11801 CLASS E AND CLASS D STANDARDS AT SWEPT FREQUENCIES UP TO 250 MHz & 100 MHz RESPECTIVELY AND MEETS ODVA ETHERNET/IP ELECTRICAL AND MECHANICAL PERFORMANCE WHEN INSTALLED WITH OTHER PANDUIT COMPONENTS.
 - B. MEETS THE CHANNEL REQUIREMENTS OF ANSI/TIA-568-C.2 CATEGORY 6A & ISO 11801 2ND EDITION CLASS E, IN A 4-CONNECTOR CONFIGURATION UP TO 100 METERS AT SWEPT FREQUENCIES UP TO 500MHz WHEN INSTALLED WITH OTHER PANDUIT CATEGORY 6A COMPONENTS.
4. CABLE CONSTRUCTION ACCEPTANCE: FOR PART NUMBER: 1SPS688FAS
 - A. CONDUCTOR DIAMETER:
 1. SOLID: 26/1-24/1 AWG, 0.016"-0.020" [0.41MM-0.51MM]
 2. STRANDED: 27/7-24/7 AWG, 0.018"-0.024" [0.46MM-0.61MM]
 3. STRANDED: 26/19 AWG, 0.020" [0.51MM]
 - B. INSULATION DIAMETER: 0.033"-0.039" [0.85MM-1.0MM]
 - C. CABLE DIAMETER: 0.197"-0.354" [5.0MM-9.0MM]
5. CABLE CONSTRUCTION ACCEPTANCE: FOR PART NUMBER: 1SPS688FA
 - A. CONDUCTOR DIAMETERS:
 1. SOLID: 24/1-22/1 AWG, 0.020"-0.025" [0.51MM-0.64MM]
 2. STRANDED: 27/7-22/7 AWG, 0.018"-0.030" [0.46MM-0.76MM]
 3. STRANDED: 24/19-22/19 AWG, 0.024"-0.031" [0.61MM-0.78MM]
 - B. INSULATION DIAMETER: 0.039"-0.063" [1.0MM-1.6MM]
 - C. CABLE DIAMETER: 0.197"-0.354" [5.0MM-9.0MM]
6. CONSTRUCTION:
 - A. ALL MATERIALS AND COMPONENTS USED MUST MEET THE MATERIAL RESTRICTIONS OF ROHS, (EUROPEAN DIRECTIVE 2011/65/EU ON THE RESTRICTION OF HAZARDOUS SUBSTANCES) AS PROPOSED BY THE ROHS TECHNICAL ADAPTATION COMMITTEE.
 - B. COMPONENT MATERIALS:
 1. CONNECTOR HOUSING: ZINC DIECAST WITH (NI) PLATING
 2. WIRE PRESORTING, CONTACT HOUSING: PC UL 94V-0
 3. HOOK, STRAIN RELIEF LEVER, PROTECTION CAP: PC UL 94V-0
 4. PCB: FR4 UL 94V-0
 5. PIERCING CONTACTS: PHOSPHOR BRONZE (MIN 3.6µm (Sn) PLATED)
 6. SHIELD CONTACT: BRASS 2.5µm (NI); 2.5µm (NI) PLATED
 7. CONTACTS: SPRING STEEL
 8. CONTACT FINISH: MINIMUM 0.8µm (AU) ON 1.2µm (NI)
7. ENVIRONMENTAL:
 - A. OPERATING TEMPERATURE: -40° F TO +185° F [-40° C TO +85° C]
 - B. STORAGE TEMPERATURE: -40° F TO +185° F [-40° C TO +85° C]
 - C. INGRESS PROTECTION RATING (IP): IP20
8. c(UL)us MEETS UL1863, CSA 22.2.
9. MEETS OR EXCEEDS ANSI/TIA-568-C.2 CATEGORY 6A/ISO 11801 CLASS E, PATCH CORD REQUIREMENTS WHEN USED WITH PSM7004 PANDUIT CABLE
10. WEIGHT:
 - A. COMPLETE PLUG - 0.42 LBS/10 PCS (189.32g/10PCS) WITHOUT PROTECTIVE CAP.
 - B. WIRE MANAGER ONLY - 0.07LBS/10PCS (35.00g/10PCS).

| | | | |
|--|-----------------|--------------------------------|---------------|
| PART NUMBER SEE TABLE 1, SHEET 2 | | PRODUCT SPEC/PKG SPEC N/A | |
| I.T. NUMBER N/A | | WORK INSTRUCTION N/A | |
| TITLE FIELD TERMINABLE CATEGORY 6A SHIELDED RJ45 PLUG CONNECTORS AND WIRE MANAGERS CUSTOMER DRAWING | | | |
| ITEM REVISION NAME 13M438AA/02 | | | |
| DATASET FILE NAME 13M438AA_DC02/02A | | | |
| UNLESS OTHERWISE SPECIFIED, DIMENSIONAL TOLERANCES ARE: IN [mm] | | MATERIAL: SEE NOTES | |
| .x ± .1 [2.54] .xxx ± .005 [.127] .xx ± .01 [.25] ANGLES ± 5 ° | | | |
| | | THIRD ANGLE PROJECTION | |
| DRAWN BY BJN | DATE 1-14-14 | CHK DCS | SCALE NONE |
| REV | | DRAWING NUMBER: 13M438AA-02 | |
| DATE | | SHT 1 OF 2 | |
| BY | | SIZE A | |
| CHK | | | |
| APR | | | |
| DESCRIPTION | | | |
| ECN | | | |

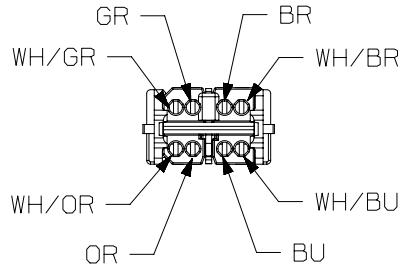
2

1

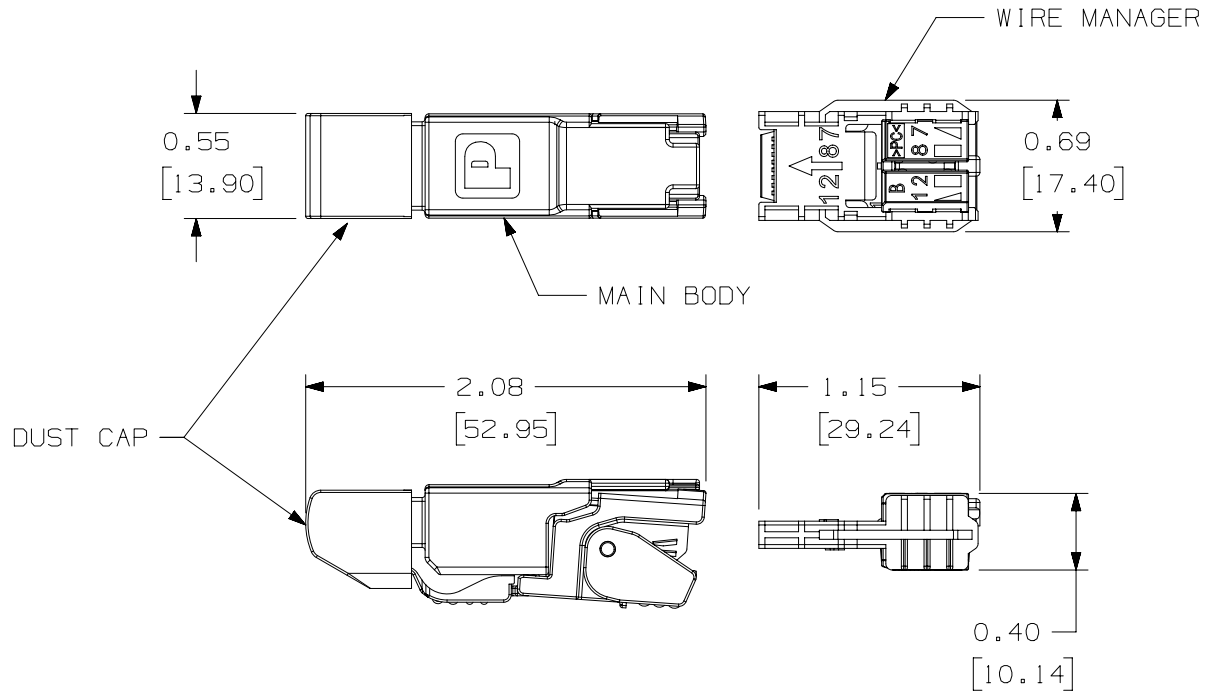
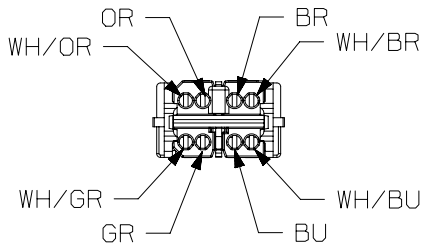
D10100DA/14

THIS COPY IS PROVIDED ON A RESTRICTED BASIS AND IS NOT TO BE USED IN ANY WAY DETRIMENTAL TO THE INTERESTS OF PANDUIT CORP.

PIN ASSIGNMENT T568A
ACCORDING TO TIA-568-C.2



PIN ASSIGNMENT T568B
ACCORDING TO TIA-568-C.2



DUST CAP SHOWN IN ABOVE VIEWS

TABLE 1

PART NUMBERS

| COMPLETE ASSEMBLY | | WIRE MANAGER (ONLY) | |
|-------------------|--|---------------------|--|
| I SPS688FA | | I SPS688FA - WM | |
| I SPS688FAS | | I SPS688FAS - WM | |

| | | | |
|--|-----------------|-----------------------------------|---------------|
| PART NUMBER SEE TABLE 1 | | PRODUCT SPEC/PKG SPEC N/A | |
| I.T. NUMBER N/A | | WORK INSTRUCTION N/A | |
| TITLE FIELD TERMINABLE CATEGORY 6A SHIELDED RJ45 PLUG CONNECTORS AND WIRE MANAGERS CUSTOMER DRAWING | | | |
| ITEM REVISION NAME 13M438AA/02 | | PANDUIT | |
| DATASET FILE NAME 13M438AA_DC02/02A | | | |
| UNLESS OTHERWISE SPECIFIED, DIMENSIONAL TOLERANCES ARE: IN [mm] | | MATERIAL: SEE NOTES ON SHEET 1 | |
| .x ± .1 [2.54] .xxx ± .005 [.127] .xx ± .01 [.25] ANGLES ± 5 ° | | DRAWING NUMBER: 13M438AA-02 | |
| THIRD ANGLE PROJECTION | | SHT 2 OF 2 | |
| DRAWN BY BJN | DATE 1-14-14 | CHK DCS | SCALE NONE |
| REV | | SIZE A | |

| REV | DATE | BY | CHK | APR | DESCRIPTION | ECN |
|-----|---------|------|-----|-----|----------------------------------|-------------|
| 5 | 9-23-15 | MDJR | DCS | GAZ | SEE SHEET 1 FOR REVISION HISTORY | 13M438AA-02 |
| 4 | 7-16-14 | BJN | DCS | GAZ | SEE SHEET 1 FOR REVISION HISTORY | 13M438AA-02 |

D10100DA/14

Mouser Electronics

Authorized Distributor

Click to View Pricing, Inventory, Delivery & Lifecycle Information:

[Panduit:](#)

[ISPS688FA-WM](#)