

Tous droits strictement réservés. Reproduction ou communication à des tiers interdite sous quelque forme que ce soit sans autorisation écrite du propriétaire. Propriété de c.FCI. Droits de reproduction FCI.



All rights strictly reserved. Reproduction or issue to third parties in any form whatever is not permitted without written authority from the proprietor. Property of FCI. Copyright FCI.

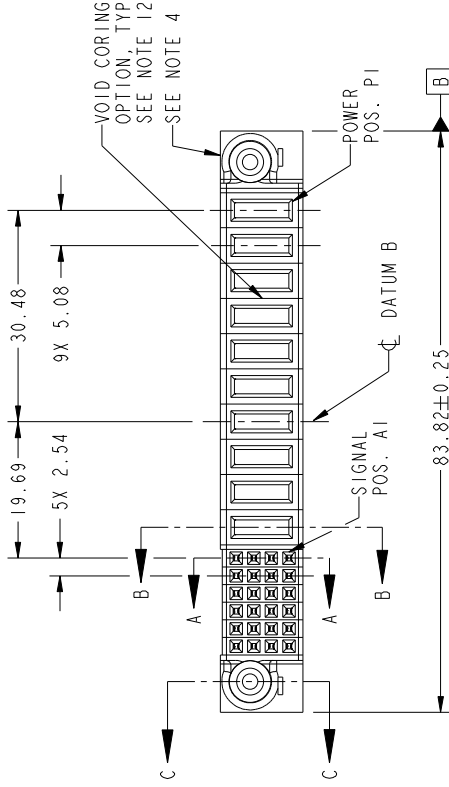
1 | 2

3 |

1 | 2

4

PRODUCT NO.	ROWS	SIGNAL										POWER									
		E2	6	5	4	3	2	1	P10	P9	P8	P7	P6	P5	P4	P3	P2	P1	E1		
51940-343-- NOTE: 3	D	Ⓢ	Ⓢ	Ⓢ	Ⓢ	Ⓢ	Ⓢ	Ⓢ	Ⓢ	Ⓢ	Ⓢ	Ⓢ	Ⓢ	Ⓢ	Ⓢ	Ⓢ	Ⓢ	Ⓢ	Ⓢ		
	C	Ⓢ	Ⓢ	Ⓢ	Ⓢ	Ⓢ	Ⓢ	Ⓢ	Ⓢ	Ⓢ	Ⓢ	Ⓢ	Ⓢ	Ⓢ	Ⓢ	Ⓢ	Ⓢ	Ⓢ	Ⓢ		
	B	Ⓢ	Ⓢ	Ⓢ	Ⓢ	Ⓢ	Ⓢ	Ⓢ	Ⓢ	Ⓢ	Ⓢ	Ⓢ	Ⓢ	Ⓢ	Ⓢ	Ⓢ	Ⓢ	Ⓢ	Ⓢ		
A		Ⓢ	Ⓢ	Ⓢ	Ⓢ	Ⓢ	Ⓢ	Ⓢ	Ⓢ	Ⓢ	Ⓢ	Ⓢ	Ⓢ	Ⓢ	Ⓢ	Ⓢ	Ⓢ	Ⓢ	Ⓢ		



A

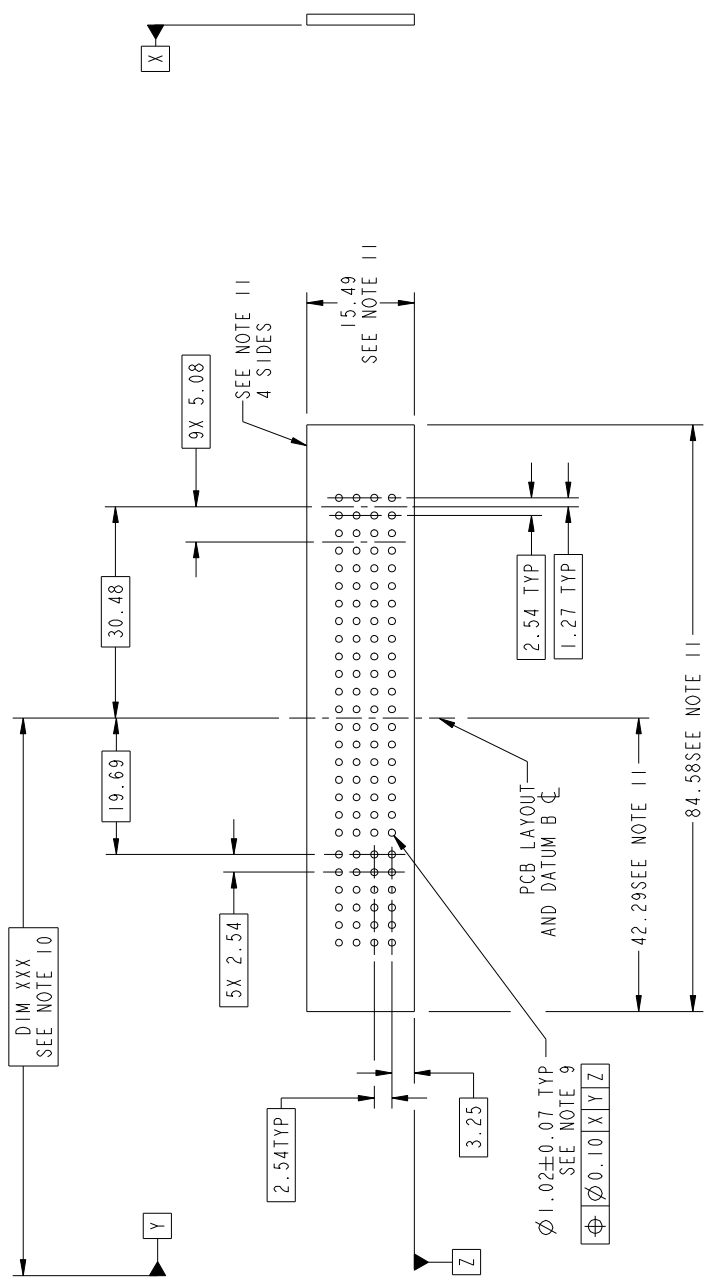
B

CODE	DIM "M" MATING LENGTH	CONTACT TYPE
PC	[1.07]	POWER
F	[N/A]	SIGNAL
PF	[2.34]	POWER

mat'l code		SEE NOTE		tolerances unless otherwise specified		CUSTOMER		FCI	
lfr	ecn no.	dr	date			copy	projection	title	www.fciconnect.com
A	DG10-0184	SM	05/17/10	linear	0.X ±0.5		⊕	10P +24S VERTICAL PF RECEIPT	
				angles	0.XXX ±0.25		MM	product family	PwrBl code
				dr	0° ±2°			size	code
				engr				A	213
				chr				sheet	
				appd				1 of 4	
sheet index	revision	A	A	A	A	A	A		
	sheet	1	2	3	4				
		Pro/E				3		cage code 22526	
								4	



PRODUCT NUMBER  
51940-343--  
NOTE : 3



Tous droits strictement réservés. Reproduction ou communication à des tiers interdite sous quelque forme que ce soit sans autorisation écrite du propriétaire. Propriété de c FCI. Droits de reproduction FCI.

All rights strictly reserved. Reproduction or issue to third parties in any form whatever is not permitted without written authority from the proprietor. Property of FCI. Copyright FCI.

RECOMMENDED PCB LAYOUT

mat'1 code		SEE NOTE		tolerances unless otherwise specified		CUSTOMER		FCI	
lir	ecn no.	dr	date	linear	angles	projection	copy	title	www.fciconnect.com
A				0.X ± 0.5	0.XXX ± 0.10	1st angle	MM	10P +24S VERTICAL PF RECEIPT	
				0.XX ± 0.25	0° ± 2°			product family	PwrBI code
								size	213
								product family	code
								dwg no	51940-343
								size	3 of 4
								scale	1:1
								Shower Mo	05/17/10
								Shower Mo	05/17/10
								chr	PM ZHENG
								appd	JOSEPH HSIA
								revision	
								sheet	
								index	
								Pro/E	
								3	
								4	
								cage code	22526
								4	

Pro/E 3 4  
cage code 22526 4

