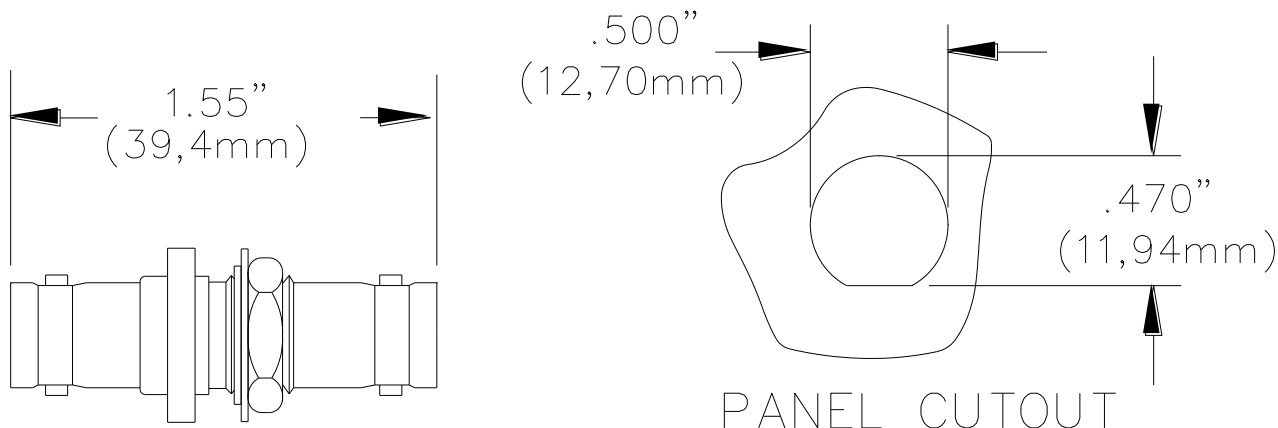


Model 3847**BNC Female to Female Adapter, Hermetically Sealed****Features**

- Hermetically sealed: Leakage rate less than 10^{-7} cc/sec of tracer gas at one atmosphere

Materials

Body and Fittings: Brass, Tarnish Resistant Nickel Plated
Center Contact: Beryllium Copper, Gold Plated
Dielectric: PTFE

Ratings

Voltage: For *CE compliance* and for personal safety, do not hold in hand when voltages exceed 30 Vrms/60 Vdc.
Maximum voltage for *hands free use* in controlled testing environments: 500 Vrms
Do not use on circuits where transient stresses can exceed the rated voltage.

Temperature: -65°C to +165°C
Nominal Impedance: 50 Ohm

Ordering Information

Model: 3847
BNC (F-F), HERMETICALLY SEALED

USA: Sales: 800-490-2361
Technical Support: technicalsupport@pomonatest.com
Fax: 425-446-5844

Europe: 31-(0) 40 2675 150 **International:** 425-446-5500

Where to Buy: www.pomonaelectronics.com

All dimensions are in inches. Tolerances (except noted): .xx = ± 0.02 " (.51 mm), .xxx = ± 0.005 " (.127 mm). All specifications are to the latest revisions. Specifications are subject to change without notice. Registered trademarks are the property of their respective companies.

Mouser Electronics

Authorized Distributor

Click to View Pricing, Inventory, Delivery & Lifecycle Information:

[Pomona:](#)

[3847](#)