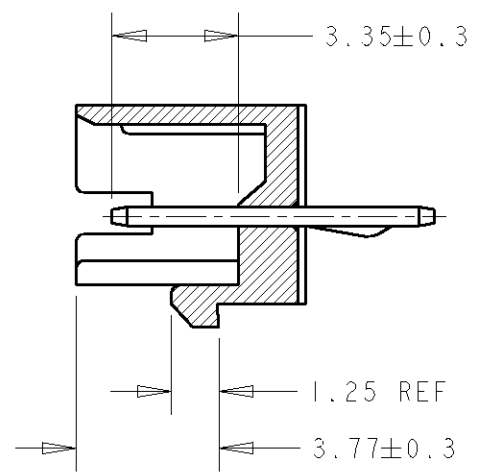
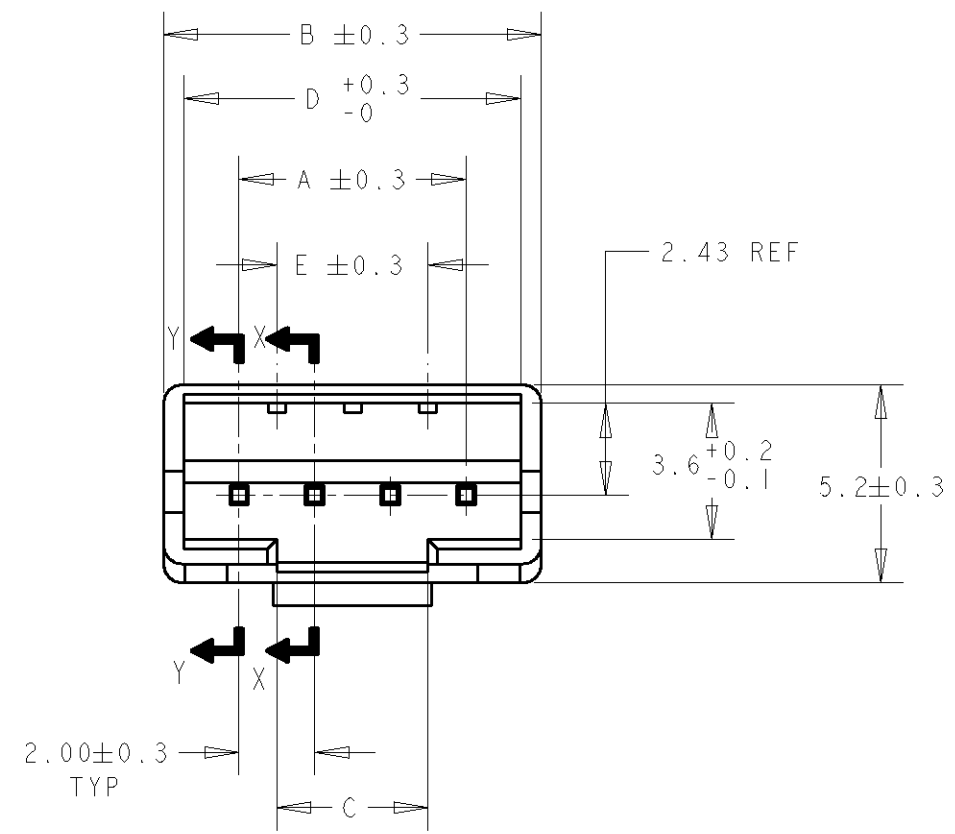
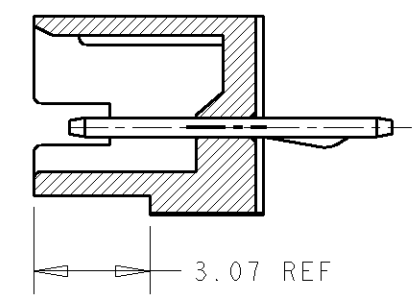


THIS DRAWING IS UNPUBLISHED. RELEASED FOR PUBLICATION
 © COPYRIGHT - BY - ALL RIGHTS RESERVED.

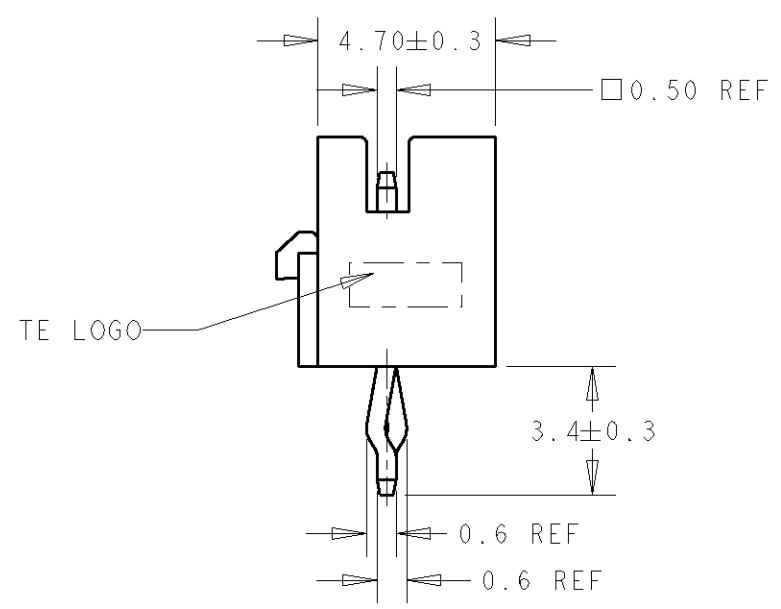
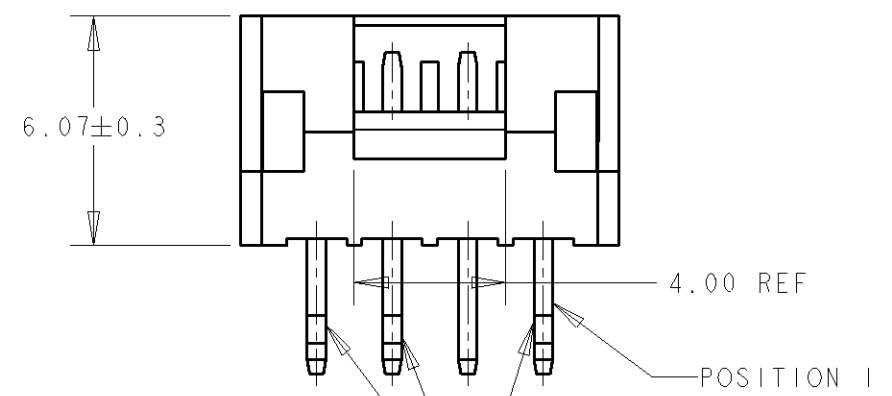
| LOC | DIST | REVISIONS | | | | | |
|-----|------|-----------|-----|---------------------------|---------|-----|------|
| DY | - | P | LTR | DESCRIPTION | DATE | DWN | APVD |
| | | C1 | | REVISED PER ECO-11-005139 | 19MAR11 | RK | HMR |



SECTION X - X



SECTION Y - Y



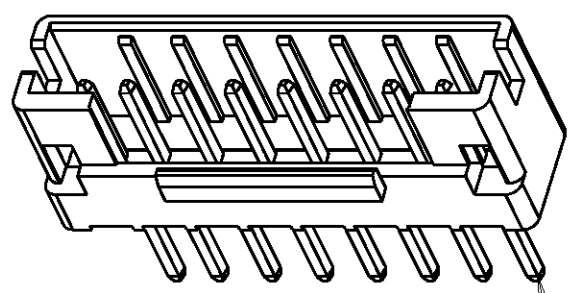
- NOTE:
- 1 MATERIAL: THERMOPLASTIC, UL 94V-0
 - 2 POST CONTACT: COPPER ALLOY
 - 3 FINISH: BRIGHT TIN OVER NICKEL UNDERPLATE ALL OVER
 - 4 SEE FIGURE 1 FOR KINK 'FOOTPRINT'
 - 5 ⊕ KINK DIRECTION OPPOSITE FROM ⊙

| COLOUR | E | D | C | B | A | POS | PART NUMBER |
|---------|------|--------------------------------------|----------|------|-------|-------------|-------------|
| BLACK | 28.0 | 33.0 | 28.0±0.2 | 34.0 | 30.00 | 16P | 3-1735446-6 |
| | 26.0 | 31.0 | 26.0±0.2 | 32.0 | 28.00 | 15P | 3-1735446-5 |
| | 24.0 | 29.0 | 24.0±0.2 | 30.0 | 26.00 | 14P | 3-1735446-4 |
| | 22.0 | 27.0 | 22.0±0.2 | 28.0 | 24.00 | 13P | 3-1735446-3 |
| | 20.0 | 25.0 | 20.0±0.2 | 26.0 | 22.00 | 12P | 3-1735446-2 |
| | 18.0 | 23.0 | 18.0±0.2 | 24.0 | 20.00 | 11P | 3-1735446-1 |
| | 16.0 | 21.0 | 16.0±0.2 | 22.0 | 18.00 | 10P | 3-1735446-0 |
| | 14.0 | 19.0 | 14.0±0.2 | 20.0 | 16.00 | 9P | 2-1735446-9 |
| | 12.0 | 17.0 | 12.0±0.2 | 18.0 | 14.00 | 8P | 2-1735446-8 |
| | 10.0 | 15.0 | 10.0±0.2 | 16.0 | 12.00 | 7P | 2-1735446-7 |
| | 8.0 | 13.0 | 8.0±0.2 | 14.0 | 10.00 | 6P | 2-1735446-6 |
| | 6.0 | 11.0 | 6.0±0.2 | 12.0 | 8.00 | 5P | 2-1735446-5 |
| 4.0 | 9.0 | 4.0±0.2 | 10.0 | 6.00 | 4P | 2-1735446-4 | |
| 2.0 | 7.0 | 2.0 ^{+0.2} _{-0.08} | 8.0 | 4.00 | 3P | 2-1735446-3 | |
| NATURAL | 28.0 | 33.0 | 28.0±0.2 | 34.0 | 30.00 | 16P | 1-1735446-6 |
| | 26.0 | 31.0 | 26.0±0.2 | 32.0 | 28.00 | 15P | 1-1735446-5 |
| | 24.0 | 29.0 | 24.0±0.2 | 30.0 | 26.00 | 14P | 1-1735446-4 |
| | 22.0 | 27.0 | 22.0±0.2 | 28.0 | 24.00 | 13P | 1-1735446-3 |
| | 20.0 | 25.0 | 20.0±0.2 | 26.0 | 22.00 | 12P | 1-1735446-2 |
| | 18.0 | 23.0 | 18.0±0.2 | 24.0 | 20.00 | 11P | 1-1735446-1 |
| | 16.0 | 21.0 | 16.0±0.2 | 22.0 | 18.00 | 10P | 1-1735446-0 |
| | 14.0 | 19.0 | 14.0±0.2 | 20.0 | 16.00 | 9P | 1735446-9 |
| | 12.0 | 17.0 | 12.0±0.2 | 18.0 | 14.00 | 8P | 1735446-8 |
| | 10.0 | 15.0 | 10.0±0.2 | 16.0 | 12.00 | 7P | 1735446-7 |
| | 8.0 | 13.0 | 8.0±0.2 | 14.0 | 10.00 | 6P | 1735446-6 |
| | 6.0 | 11.0 | 6.0±0.2 | 12.0 | 8.00 | 5P | 1735446-5 |
| 4.0 | 9.0 | 4.0±0.2 | 10.0 | 6.00 | 4P | 1735446-4 | |
| 2.0 | 7.0 | 2.0 ^{+0.2} _{-0.08} | 8.0 | 4.00 | 3P | 1735446-3 | |

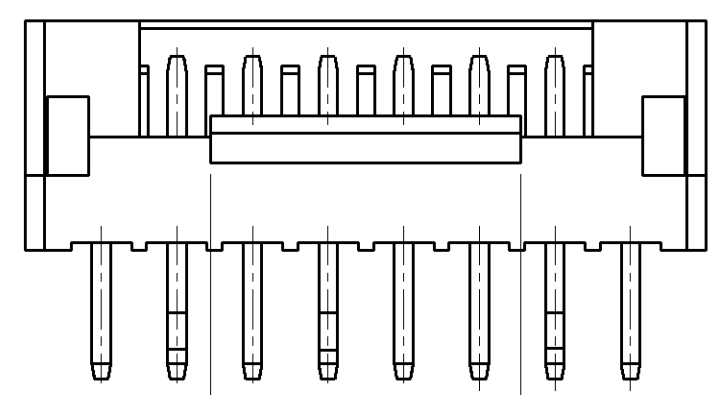
| | | | | | | | |
|--------------------------|--|--|--|---|--|---|--|
| DIMENSIONS: mm | | TOLERANCES UNLESS OTHERWISE SPECIFIED: 0 PLC ± 1 PLC ± 2 PLC ± 3 PLC ± 4 PLC ± ANGLES ± MATERIAL FINISH | | DWN WYLEE 14 NOV 2006 CHK KT GOH 11 APR 2007 APVD SF IFONG 1 JUN 2007 PRODUCT SPEC 108-51087 APPLICATION SPEC - WEIGHT - | | TE Connectivity NAME 2.0mm PITCH HPI POST HEADER WITH LOCK, VERTICAL SIZE A3 CAGE CODE 00779 DRAWING NO C-1735446 | |
| MATERIAL FINISH 1 2 3 | | CUSTOMER DRAWING | | SCALE 5:1 SHEET 1 OF 2 REV C1 | | | |

THIS DRAWING IS UNPUBLISHED. RELEASED FOR PUBLICATION
 © COPYRIGHT BY ALL RIGHTS RESERVED.

| LOC | DIST | REVISIONS | | | |
|-----|------|-------------|------|-----|------|
| P | LTR | DESCRIPTION | DATE | DWN | APVD |
| DY | - | SEE SHEET 1 | | | |

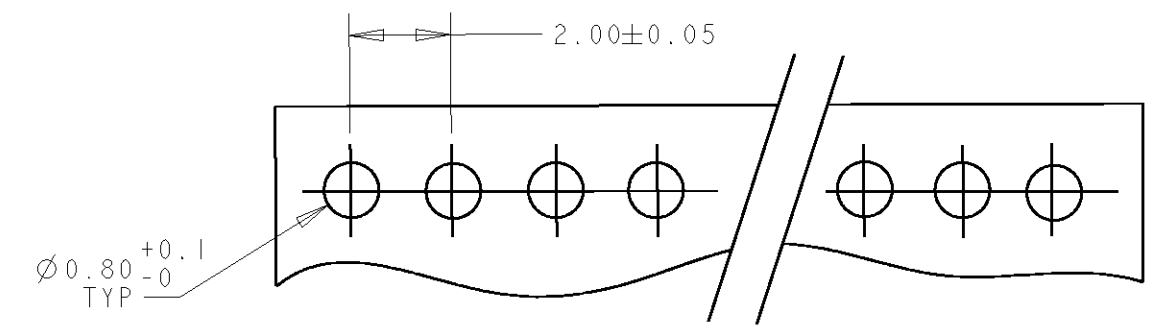


POSITION 1

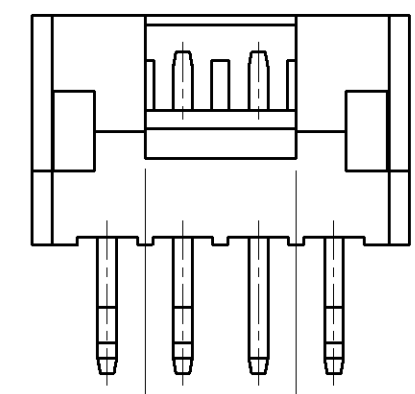


8.20±0.3

7~16P

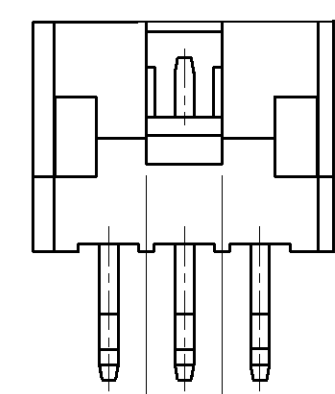


RECOMMENDED PCB LAYOUT
 (NON ACCUMULATIVE TOLERANCE)
 (PCB THK = 1.0~1.6mm)



4.00±0.3

4~6P



2.00±0.3

3P

FIG.1 5

| | | | | | | | | | | | | | | | | |
|-----|---|---|---|---|---|---|---|---|---|----|----|----|----|----|----|----|
| 3P | ● | ⊕ | ● | | | | | | | | | | | | | |
| 4P | ● | ○ | ⊕ | ● | | | | | | | | | | | | |
| 5P | ● | ○ | ⊕ | ○ | ● | | | | | | | | | | | |
| 6P | ● | ○ | ○ | ⊕ | ○ | ● | | | | | | | | | | |
| 7P | ○ | ● | ○ | ⊕ | ○ | ● | ○ | | | | | | | | | |
| 8P | ○ | ● | ○ | ○ | ⊕ | ○ | ● | ○ | | | | | | | | |
| 9P | ○ | ● | ○ | ○ | ⊕ | ○ | ○ | ● | ○ | | | | | | | |
| 10P | ○ | ● | ○ | ○ | ○ | ⊕ | ○ | ○ | ● | ○ | | | | | | |
| 11P | ○ | ● | ○ | ○ | ○ | ⊕ | ○ | ○ | ○ | ● | ○ | | | | | |
| 12P | ○ | ● | ○ | ○ | ○ | ○ | ⊕ | ○ | ○ | ○ | ● | ○ | | | | |
| 13P | ○ | ● | ○ | ○ | ○ | ○ | ⊕ | ○ | ○ | ○ | ○ | ● | ○ | | | |
| 14P | ○ | ● | ○ | ○ | ○ | ○ | ○ | ⊕ | ○ | ○ | ○ | ○ | ● | ○ | | |
| 15P | ○ | ● | ○ | ○ | ○ | ○ | ○ | ○ | ⊕ | ○ | ○ | ○ | ○ | ● | ○ | |
| 16P | ○ | ● | ○ | ○ | ○ | ○ | ○ | ○ | ○ | ⊕ | ○ | ○ | ○ | ○ | ● | |
| POS | 1 | 2 | 3 | 4 | 5 | 6 | 7 | 8 | 9 | 10 | 11 | 12 | 13 | 14 | 15 | 16 |

| | | | | | | | |
|-------------------------|--|--|--|----------------------------|--|---|--|
| DIMENSIONS: mm | | TOLERANCES UNLESS OTHERWISE SPECIFIED: | | DWN 14 NOV 2006 WYLEE | | TE Connectivity | |
| | | 0 PLC ±- | | CHK 11 APR 2007 KT GOH | | | |
| | | 1 PLC ±- | | APVD 1 JUN 2007 SEIFONG | | NAME 2.0mm PITCH HPI POST HEADER WITH LOCK, VERTICAL | |
| MATERIAL SEE SHEET 1 | | FINISH SEE SHEET 1 | | PRODUCT SPEC 108-51087 | | DRAWING NO C-1735446 | |
| CUSTOMER DRAWING | | WEIGHT - | | APPLICATION SPEC - | | SCALE 5:1 SHEET 2 OF 2 REV C1 | |