

AC Line Rated Ceramic Disc Capacitors Class X1, 440 V_{AC}, Class Y2, 300 V_{AC}



| QUICK REFERENCE DATA | | | | |
|----------------------------|--------|-----|----------|-----|
| DESCRIPTION | VALUE | | | |
| Ceramic Class | 1 | | 2 | |
| Ceramic Dielectric | N750 | | Y5S, Y5U | |
| Voltage (V _{AC}) | 300 | 440 | 300 | 440 |
| Min. Capacitance (pF) | 10 | | 68 | |
| Max. Capacitance (pF) | 47 | | 10 000 | |
| Mounting | Radial | | | |

OPERATING TEMPERATURE RANGE

-40 °C to +125 °C

TEMPERATURE CHARACTERISTICS

Class 1: N750 (U2J)

Class 2: Y5S, Y5U

SECTIONAL SPECIFICATIONS

Climatic category (according to EN 60058-1)

Class 1 and class 2: 40/125/21

COATING

According to UL 94 V-0

Epoxy resin, isolating, flame retardant

APPROVALS

IEC 60384-14.4

UL 60384-14

DIN EN 60384-14

CSA E60384-1:03, CSA E60384-14:09

PACKAGING

Bulk, tape and reel, taped ammpack

FEATURES

- Complying with IEC 60384-14 4th edition
- High reliability
- Vertical (inline) kinked or straight leads
- Singlelayer AC disc safety capacitors
- Material categorization:
for definitions of compliance please see www.vishay.com/doc?99912

APPLICATIONS

- X1, Y2 according to IEC 60384-14.4
- Across-the-line
- Line by-pass
- Antenna coupling

DESIGN

The capacitor consists of a ceramic disc which is silver plated on both sides. Connection leads are made of tinned copper having a diameter of 0.6 mm.

The capacitors may be supplied with vertical (inline) kinked leads having a lead spacing of 5.0 mm, 7.5 mm, or 10.0 mm. Encapsulation is made of flame retardant epoxy resin in accordance with UL 94 V-0.

CAPACITANCE RANGE

10 pF to 0.01 μF

RATED VOLTAGE U_R

IEC 60384-14 and UL60384-14:

(X1): 440 V_{AC}, 50 Hz

(Y2): 300 V_{AC}, 50 Hz

TEST VOLTAGE

Component test (100 %):

2600 V_{AC}, 50 Hz, 2 s

(2600 V_{AC} for LS 7.5 mm and 10 mm)

(2200 V_{AC} for LS 5.0 mm)

Random sampling test (destructive test):

2600 V_{AC}, 50 Hz, 60 s

Voltage proof of coating (destructive test):

2600 V_{AC}, 50 Hz, 60 s

INSULATION RESISTANCE

≥ 10 000 MΩ

CAPACITANCE TOLERANCE

± 20 % (code M); ± 10 % (code K)

DISSIPATION FACTOR

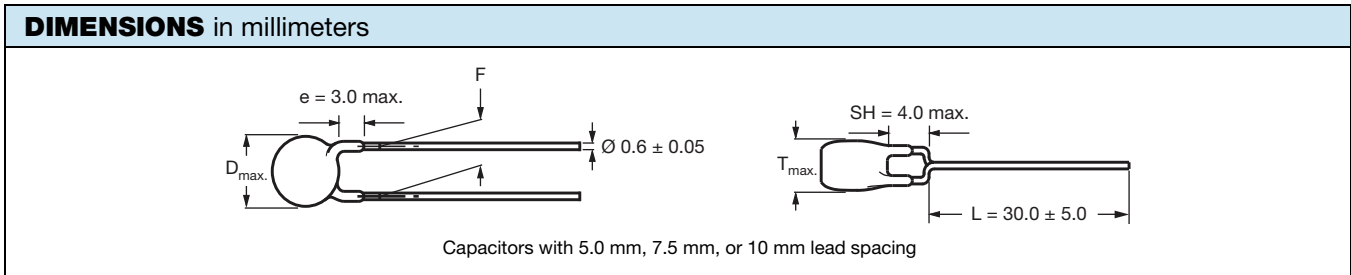
Class 1: max. 0.5 % (1 MHz)

Class 2: max. 2.5 % (1 kHz)



RoHS
COMPLIANT
HALOGEN
FREE
Available

GREEN
[5-2008]
Available



| TECHNICAL DATA | | | | | | | | | | | | | | |
|-----------------------|---------------------------------|--|---|--|---|--------------------------|-------------------|-------------------|-------------------|-------------------|-------------------|-------------------|-------------------|-------------------|
| CAPACITANCE C (pF) | CAPACITANCE TOLERANCE (%) | BODY DIAMETER D _{max.} (mm) | BODY THICKNESS T _{max.} (mm) | LEAD SPACING ⁽¹⁾ F (mm) ± 1 mm | PART NUMBER | | | | | | | | | |
| | | | | | MISSING DIGITS SEE ORDERING CODE BELOW | | | | | | | | | |
| | | | | | RoHS COMPLIANT | RoHS AND HALOGEN-FREE | | | | | | | | |
| U2J (N750) | | | | | | | | | | | | | | |
| 10 | ± 10 | 7.5 | 5.0 | 5.0, 7.5, or 10.0 | VY2100K29U2JS6### | VY2100K29U2JG6### | | | | | | | | |
| 15 | | | | | VY2150K29U2JS6### | VY2150K29U2JG6### | | | | | | | | |
| 22 | | | | | VY2220K29U2JS6### | VY2220K29U2JG6### | | | | | | | | |
| 33 | | | | | VY2330K29U2JS6### | VY2330K29U2JG6### | | | | | | | | |
| 47 | | | | | VY2470K29U2JS6### | VY2470K29U2JG6### | | | | | | | | |
| Y5S (2C3) | | | | | | | | | | | | | | |
| 68 | ± 10 | 7.5 | 5.0 | 5.0, 7.5, or 10.0 | VY2680K29Y5SS6### | VY2680K29Y5SG6### | | | | | | | | |
| 100 | | | | | VY2101K29Y5SS6### | VY2101K29Y5SG6### | | | | | | | | |
| 150 | | | | | VY2151K29Y5SS6### | VY2151K29Y5SG6### | | | | | | | | |
| 220 | | | | | VY2221K29Y5SS6### | VY2221K29Y5SG6### | | | | | | | | |
| 330 | | | | | VY2331K29Y5SS6### | VY2331K29Y5SG6### | | | | | | | | |
| 470 | | | | | VY2471K29Y5SS6### | VY2471K29Y5SG6### | | | | | | | | |
| Y5U (2E3) | | | | | | | | | | | | | | |
| 680 | ± 20 | 7.5 | 5.0 | 5.0, 7.5, or 10.0 | VY2681M29Y5US6### | VY2681M29Y5UG6### | | | | | | | | |
| 1000 | | 8.0 | | | 5.0 | 5.0, 7.5, or 10.0 | VY2102M29Y5US6### | VY2102M29Y5UG6### | | | | | | |
| 1500 | | | | | | | 9.0 | 5.0 | 5.0, 7.5, or 10.0 | VY2152M31Y5US6### | VY2152M31Y5UG6### | | | |
| 2200 | | | | | | | | | | 10.5 | 5.0 | 5.0, 7.5, or 10.0 | VY2222M35Y5US6### | VY2222M35Y5UG6### |
| 3300 | | | | | | | | | | | | | 11.0 | 5.0 |
| 3900 | | | | 12.5 | | | 5.0 | 5.0, 7.5, or 10.0 | VY2392M43Y5US6### | VY2392M43Y5UG6### | | | | |
| 4700 | | 14.5 | | | 5.0 | 7.5 or 10.0 | | | VY2472M49Y5US6### | VY2472M49Y5UG6### | | | | |
| 6800 | | | | 16.0 | | | 5.0 | 7.5 or 10.0 | VY2682M59Y5US63## | VY2682M59Y5UG63## | | | | |
| 10 000 | | | | | | | | | VY2103M63Y5US63## | VY2103M63Y5UG63## | | | | |

Notes

- ⁽¹⁾ Straight leads are available on request
- Coating extension DR valid for straight leads only

| ORDERING CODE | | | | | | | | | | |
|----------------|--|-------------------|--------------------|-----------|-------------------------|--|--------------------|---|---|--------------------------------|
| ### | 15 th to 17 th digit | | Lead configuration | | | Available configurations see below | | | | |
| Example | VY2 | 221 | K | 29 | Y5S | S | 6 | U | V | 7 |
| | Series | Capacitance value | Tolerance code | Size code | Temperature coefficient | Rated voltage | Lead wire diameter | Packaging / lead length | Lead style | Lead spacing |
| | | | | | | S = X1/Y2 300 V (AC) | | 3 = bulk T = tape and reel U = ammopack | L = straight V = inline kinked | 5 = 5.0 7 = 7.5 0 = 10.0 |
| | | | | | | G = X1/Y2 300 V (AC) halogen-free | | | | |

LEADSPACING 5.0 mm and 7.5 mm

| PACKAGING | | | | | |
|-------------------------|-----------|-------------------------------|----------------------|------|------|
| CAPACITANCE VALUE | SIZE CODE | BODY DIAMETER $D_{max.}$ (mm) | PACKAGING QUANTITIES | | |
| | | | BULK | REEL | AMMO |
| 10 pF to 4700 pF | 29 to 49 | 12.5 | 1000 | 1000 | 1000 |
| 6800 pF to 0.01 μ F | 59 to 63 | 16.0 | 500 | - | - |

LEADSPACING 10.0 mm

| PACKAGING | | | | | |
|-------------------------|-----------|-------------------------------|----------------------|------|------|
| CAPACITANCE VALUE | SIZE CODE | BODY DIAMETER $D_{max.}$ (mm) | PACKAGING QUANTITIES | | |
| | | | BULK | REEL | AMMO |
| 10 pF to 4700 pF | 29 to 49 | 12.5 | 1000 | 500 | 750 |
| 6800 pF to 0.01 μ F | 59 to 63 | 16.0 | 500 | 500 | 750 |

Note

- The capacitors are supplied in bulk packaging (cardboard boxes), in tape on reel in ammopack.

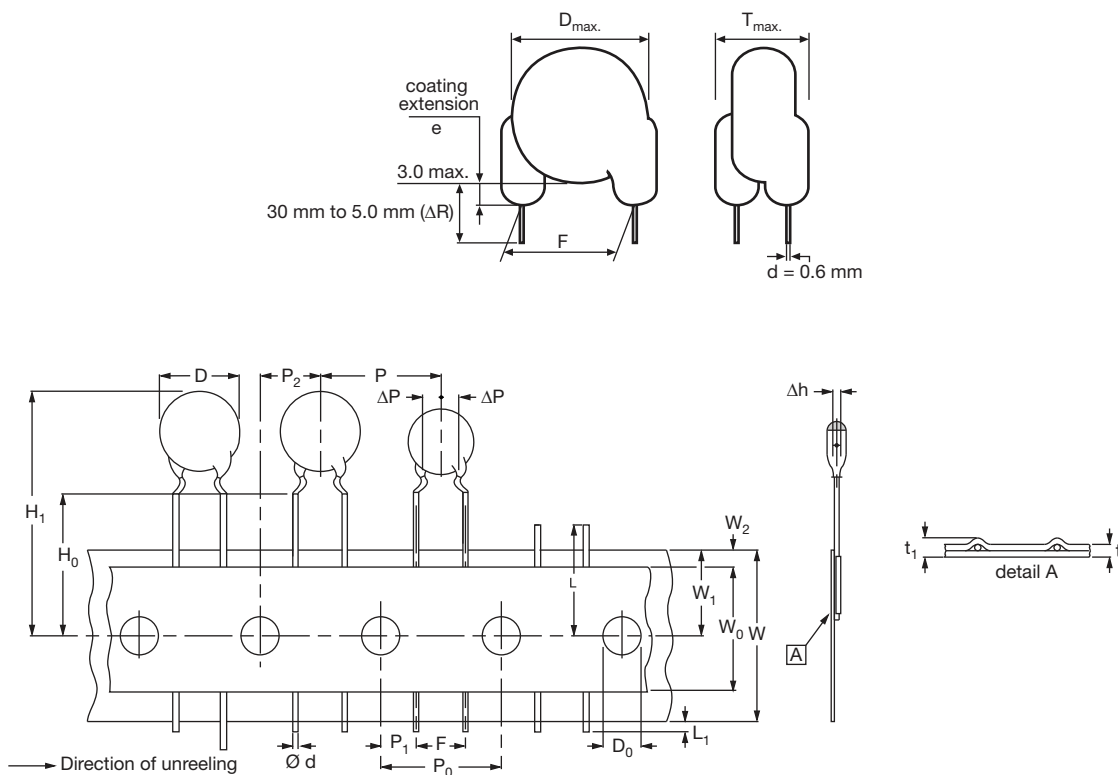
STRAIGHT LEADS


Fig. 1 - Kinked capacitors on tape, lead spacing 5.0 mm (0.2") and 7.5 mm (0.3")

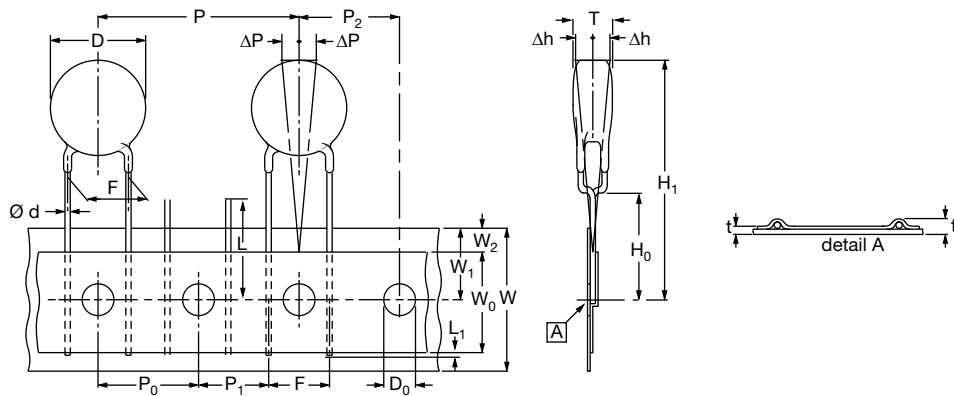
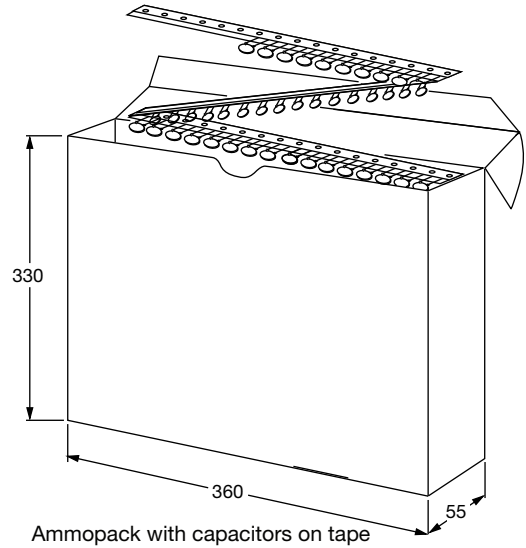
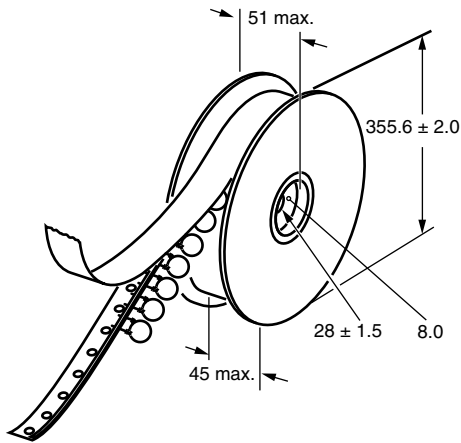


Fig. 2 - Inline kink (V) leaded capacitors on tape, lead spacing 10 mm (0.40")

| DIMENSION OF TAPE | | | | |
|-------------------------------|--|-------------------|-------------------|--------------------|
| SYMBOL | PARAMETER | DIMENSIONS (mm) | | |
| | | FIG. 1 (5 mm) | FIG. 1 (7.5 mm) | FIG. 2 (10 mm) |
| D ⁽¹⁾ | Body diameter | 11.0 max. | 14.0 max. | 16.0 max. |
| d | Lead diameter | 0.6 ± 0.05 | 0.6 ± 0.05 | 0.6 ± 0.05 |
| P | Pitch of component | 12.7 ± 1 | 15.0 ± 1 | 25.4 ± 1 |
| P ₀ ⁽²⁾ | Pitch of sprocket hole | 12.7 ± 0.3 | 15.0 ± 0.3 | 12.7 ± 0.3 |
| P ₁ ⁽³⁾ | Distance, hole center to lead | 3.85 ± 0.7 | 3.75 ± 0.7 | 7.7 ± 1.0 |
| P ₂ ⁽³⁾ | Distance, hole to center of component | 6.35 ± 1.3 | 7.5 ± 1.5 | 12.7 ± 1.5 |
| F | Lead spacing | 5.0 (+ 0.6/- 0.4) | 7.5 (+ 0.6/- 0.4) | 10.0 (+ 0.6/- 0.4) |
| Δh | Average deviation across tape | ± 1.0 max. | ± 1.0 max. | ± 1.0 max. |
| ΔP | Average deviation in direction of reeling | ± 1.0 max. | ± 1.0 max. | ± 1.0 max. |
| W | Carrier tape width | 18.0 + 1/- 0.5 | 18.0 + 1/- 0.5 | 18.0 + 1/- 0.5 |
| W ₀ | Hold-down tape width | 5.0 min. | 5.0 min. | 5.0 min. |
| W ₁ | Position of sprocket hole | 9.0 + 0.75/- 0.5 | 9.0 + 0.75/- 0.5 | 9.0 + 0.75/- 0.5 |
| W ₂ | Distance of hold-down tape | 3.0 max. | 3.0 max. | 3.0 max. |
| H ₁ | Maximum component height | 32 | 40 | 40 |
| H ₀ | Height to seating plane (for kinked leads) | 16.0 ± 0.5 | 16.0 ± 0.5 | 16.0 ± 0.5 |
| H ₀ | Height to seating plane (for straight leads) | 20.0 ± 0.5 | 20.0 ± 0.5 | 20.0 ± 0.5 |
| L | Length of cut leads | 11.0 max. | 11.0 max. | 11.0 max. |
| L ₁ | Length of lead protrusion | 1.0 max. | 1.0 max. | 1.0 max. |
| D ₀ | Diameter of sprocket hole | 4.0 ± 0.2 | 4.0 ± 0.2 | 4.0 ± 0.2 |
| t | Total tape thickness | 0.9 max. | 0.9 max. | 0.9 max. |
| t ₁ | Maximum thickness of tape and wires | 1.5 max. | 1.5 max. | 1.5 max. |

Notes

- (1) See "Technical Data" table
- (2) Cumulative pitch error: ± 1 mm/20 pitches
- (3) Obliquity maximum 3°

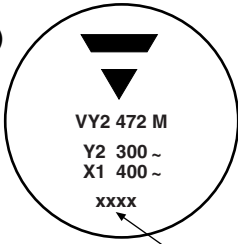
REEL AND TAPE DATA in millimeters


| APPROVALS | | | | |
|---|----------------|----------------|---------------------|--|
| IEC 60384-14.4 - Safety tests This approval together with CB test certificate substitutes all national approvals. | | | | |
| CB Certificate | | | | |
| Y2-capacitor: CB test certificate: | US-26163-UL | 10 pF to 10 nF | 300 V _{AC} | |
| X1-capacitor: CB test certificate: | US-26163-UL | 10 pF to 10 nF | 440 V _{AC} | |
| VDE | | | | |
| Y2-capacitor: VDE marks approval: | 40009669 | 10 pF to 10 nF | 300 V _{AC} | |
| X1-capacitor: VDE marks approval: | 40009669 | 10 pF to 10 nF | 440 V _{AC} | |
| DIN EN 60384-14 VDE 0565-1-1:2006-04 - Safety tests | | | | |
| Underwriters Laboratories Inc. / Canadian Standards Association | | | | |
| Y2-capacitor: UL-test certificate: | E183844 | 10 pF to 10 nF | 300 V _{AC} | |
| X1-capacitor: UL-test certificate: | E183844 | 10 pF to 10 nF | 440 V _{AC} | |
| UL 60384-14.1, CSA E60384-1:03 2 nd edition, CSA E60384-14:09 2 nd edition Across-the-line, antenna-coupling, and line-by-pass component | | | | |
| CQC | | | | |
| Y2-capacitor: CQC test certificate: | CQC05001012316 | 10 pF to 10 nF | 300 V _{AC} | |
| X1-capacitor: CQC test certificate: | CQC05001012316 | 10 pF to 10 nF | 440 V _{AC} | |




MARKING


Sample (2 sides)



Front




Back

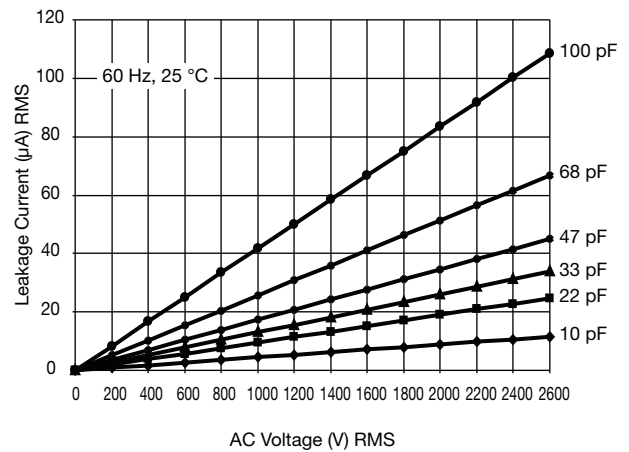
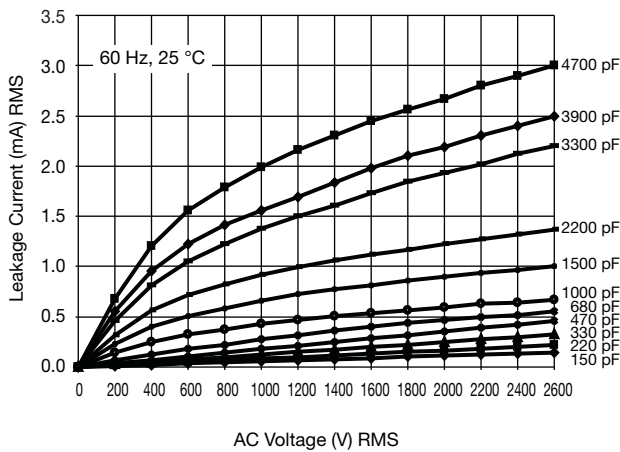


PN: VY2331K29Y5SS6UV7 Lot1: 14Z549306 DC1: 0601
 QTY: 1000 Lot2: DC2:
 PO: Batch: 200601GN
 SO: Region: 9520 SL: 0010
 Ser.No: 0601H72383

2/5



LEAKAGE CURRENT VS. VOLTAGE (Typical)



Note

- The capacitors meet the essential requirements of EIA 198. Unless stated otherwise all electrical values apply at an ambient temperature of 25 °C ± 3 °C, at normal atmospheric conditions.

| RELATED DOCUMENTS | |
|----------------------|--|
| General Information | www.vishay.com/doc?28536 |
| CB Test Certificate | www.vishay.com/doc?22254 |
| VDE Marks Approval | www.vishay.com/doc?22256 |
| UL Test Certificate | www.vishay.com/doc?22253 |
| CQC Test Certificate | www.vishay.com/doc?22255 |

| SAMPLE KIT | |
|-------------|--|
| Part Number | VY21-KIT-HF |
| Link | www.vishay.com/doc?28554 |



Disclaimer

ALL PRODUCT, PRODUCT SPECIFICATIONS AND DATA ARE SUBJECT TO CHANGE WITHOUT NOTICE TO IMPROVE RELIABILITY, FUNCTION OR DESIGN OR OTHERWISE.

Vishay Intertechnology, Inc., its affiliates, agents, and employees, and all persons acting on its or their behalf (collectively, "Vishay"), disclaim any and all liability for any errors, inaccuracies or incompleteness contained in any datasheet or in any other disclosure relating to any product.

Vishay makes no warranty, representation or guarantee regarding the suitability of the products for any particular purpose or the continuing production of any product. To the maximum extent permitted by applicable law, Vishay disclaims (i) any and all liability arising out of the application or use of any product, (ii) any and all liability, including without limitation special, consequential or incidental damages, and (iii) any and all implied warranties, including warranties of fitness for particular purpose, non-infringement and merchantability.

Statements regarding the suitability of products for certain types of applications are based on Vishay's knowledge of typical requirements that are often placed on Vishay products in generic applications. Such statements are not binding statements about the suitability of products for a particular application. It is the customer's responsibility to validate that a particular product with the properties described in the product specification is suitable for use in a particular application. Parameters provided in datasheets and/or specifications may vary in different applications and performance may vary over time. All operating parameters, including typical parameters, must be validated for each customer application by the customer's technical experts. Product specifications do not expand or otherwise modify Vishay's terms and conditions of purchase, including but not limited to the warranty expressed therein.

Except as expressly indicated in writing, Vishay products are not designed for use in medical, life-saving, or life-sustaining applications or for any other application in which the failure of the Vishay product could result in personal injury or death. Customers using or selling Vishay products not expressly indicated for use in such applications do so at their own risk. Please contact authorized Vishay personnel to obtain written terms and conditions regarding products designed for such applications.

No license, express or implied, by estoppel or otherwise, to any intellectual property rights is granted by this document or by any conduct of Vishay. Product names and markings noted herein may be trademarks of their respective owners.

Material Category Policy

Vishay Intertechnology, Inc. hereby certifies that all its products that are identified as RoHS-Compliant fulfill the definitions and restrictions defined under Directive 2011/65/EU of The European Parliament and of the Council of June 8, 2011 on the restriction of the use of certain hazardous substances in electrical and electronic equipment (EEE) - recast, unless otherwise specified as non-compliant.

Please note that some Vishay documentation may still make reference to RoHS Directive 2002/95/EC. We confirm that all the products identified as being compliant to Directive 2002/95/EC conform to Directive 2011/65/EU.

Vishay Intertechnology, Inc. hereby certifies that all its products that are identified as Halogen-Free follow Halogen-Free requirements as per JEDEC JS709A standards. Please note that some Vishay documentation may still make reference to the IEC 61249-2-21 definition. We confirm that all the products identified as being compliant to IEC 61249-2-21 conform to JEDEC JS709A standards.