

|                  |   |           |       |
|------------------|---|-----------|-------|
| PANDUIT TOOL NO. | INSTALLS * THE FOLLOWING STAINLESS STEEL CABLE TIE CROSS-SECTION ** | WEIGHT/PC |       |
|                  |   | OZ        | GRAMS |
| GS4MT-E          | STD LH & H  | 15.52     | 440   |

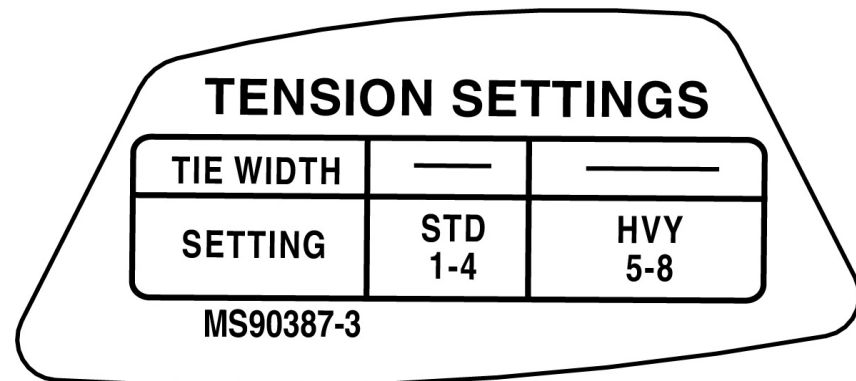
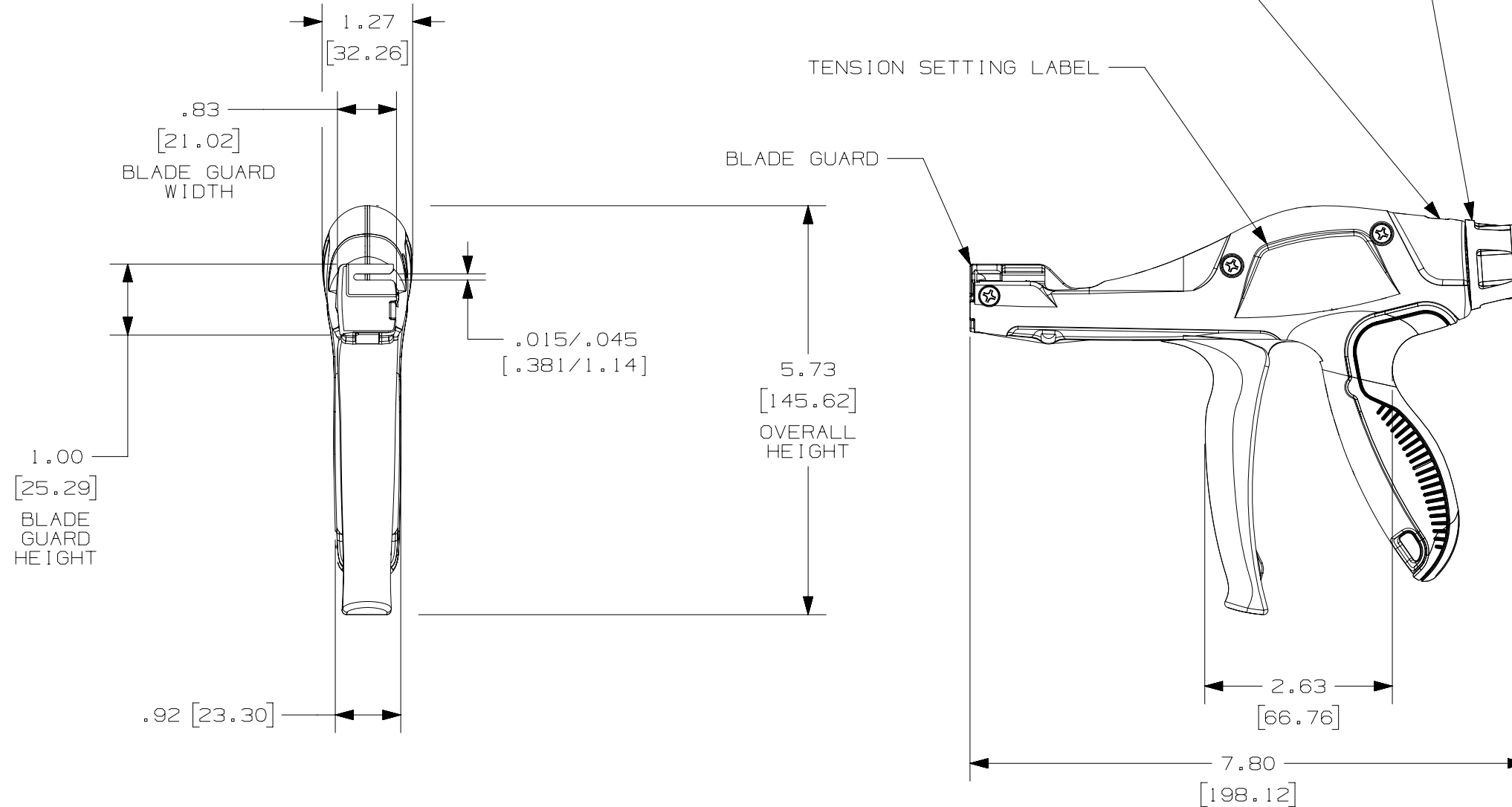
NOTES, UNLESS OTHERWISE SPECIFIED:

RoHS COMPLIANT.

\* THIS TOOL TIGHTENS PANDUIT STAINLESS STEEL CABLE TIES AND CUTS OFF EXCESS PORTION WHEN PRESET TENSION IS ATTAINED.

\*\* CABLE TIE CROSS-SECTION CODE:  
 STD = STANDARD  
 LH = LIGHT HEAVY  
 H = HEAVY

DIMENSIONS IN BRACKETS ARE METRIC.



| REV | DATE    | BY  | CHK | APR  | DESCRIPTION                                   | ECN    |
|-----|---------|-----|-----|------|---|--------|
| 02  | 8-28-18 | JEH | ABJ | JADE | UPDATED TENSION LABEL WITH MIL SPEC MS90387-3 | 037489 |
| 01  | 11-2-16 | JEH | ABJ | JADE | RELEASED AT REV 01                            | 4853   |

|   |         |                            |       |
|---|---------|----------------------------|-------|
| TITLE   |         | CD, GS4MT-E                |       |
| ITEM REVISION NAME  |         | Customer/Military Drawing  |       |
| DATASET FILE NAME   |         | R27580AA/02                |       |
| DATASET FILE NAME   |         | R27580AA_DS_TM27580B01/02A |       |
| UNLESS OTHERWISE SPECIFIED, DIMENSIONAL TOLERANCES ARE: IN [mm] |         | MATERIAL:                  |       |
| .x ± .1 [2.54]  |         | .xxx ± .005 [.127]         |       |
| .xx ± .01 [.25]   |         | ANGLES ± 5°                |       |
| THIRD ANGLE PROJECTION  |         | DRAWING NUMBER:            |       |
| THIRD ANGLE PROJECTION  |         | TM27580B01                 |       |
| DRAWN BY  | DATE    | CHK                        | SCALE |
| JEH   | 1-26-15 | ABJ                        | 1:2   |
| SHT 1 OF 1  |         |                            | SIZE  |
| SHT 1 OF 1  |         |                            | B     |

# Mouser Electronics

Authorized Distributor

Click to View Pricing, Inventory, Delivery & Lifecycle Information:

[Panduit:](#)

[GS4MT-E](#)