

IMPACT67 COMPACT MODULE, PLASTIC

Profinet, 16 dig. In

Digital inputs

DI16

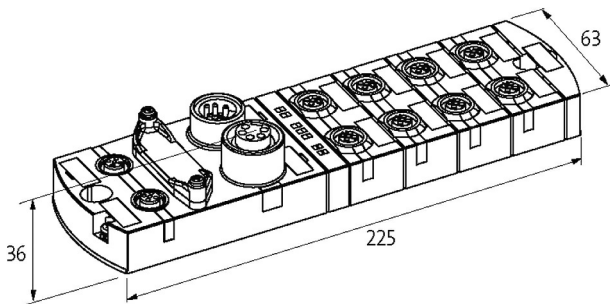
Ethernet 10/100 Mbit/s; M12, D-coded

7/8", 5-pole, 2× max. 9 A

M12, 5-pole, A-coded

Connection cables are in the online shop under "Connection Technology".

Housing fully potted.

[Link to Product](#)**Illustration**

Product may differ from Image

**General data**

| | |
|-------------------|---|
| Mounting method | 2-hole screw mounting, compatible with I/O modules of MVK model range |
| Temperature range | -25...+55 °C (storage temperature -25...+70 °C) |
| Protection | IP67 |
| Dimensions H×W×D | 39×63×225 mm |

Input

| | |
|------------------|--|
| Sensor supply US | 24 V DC (EN 61131-2), max. 200 mA (M12 female), short-circuit and overload protected |
| Type | for 3-wire sensors or mechanical switches, PNP |

Connections

| | |
|-------------------------------|--------------------------------------|
| Fieldbus | Ethernet 10/100 Mbit/s; M12, D-coded |
| Sensor-system/actuator supply | 7/8", 5-pole, 2× max. 9 A |
| I/O ports | M12, 5-pole, A-coded |

PROFINET

Addressing DCP

Diagnostic

| | |
|----------------------------|------------------------|
| Communication status | via LED |
| Diagnostic via LED | per module and channel |
| Diagnostic via BUS | per module |
| Monitoring - under voltage | yes |
| Monitoring - no voltage | yes |

Commercial data

| | |
|-----------------------|---------------|
| country of origin | DE |
| customs tariff number | 85389099 |
| EAN | 4048879051910 |
| eClass | 27242604 |
| Packaging unit | 1.000 |