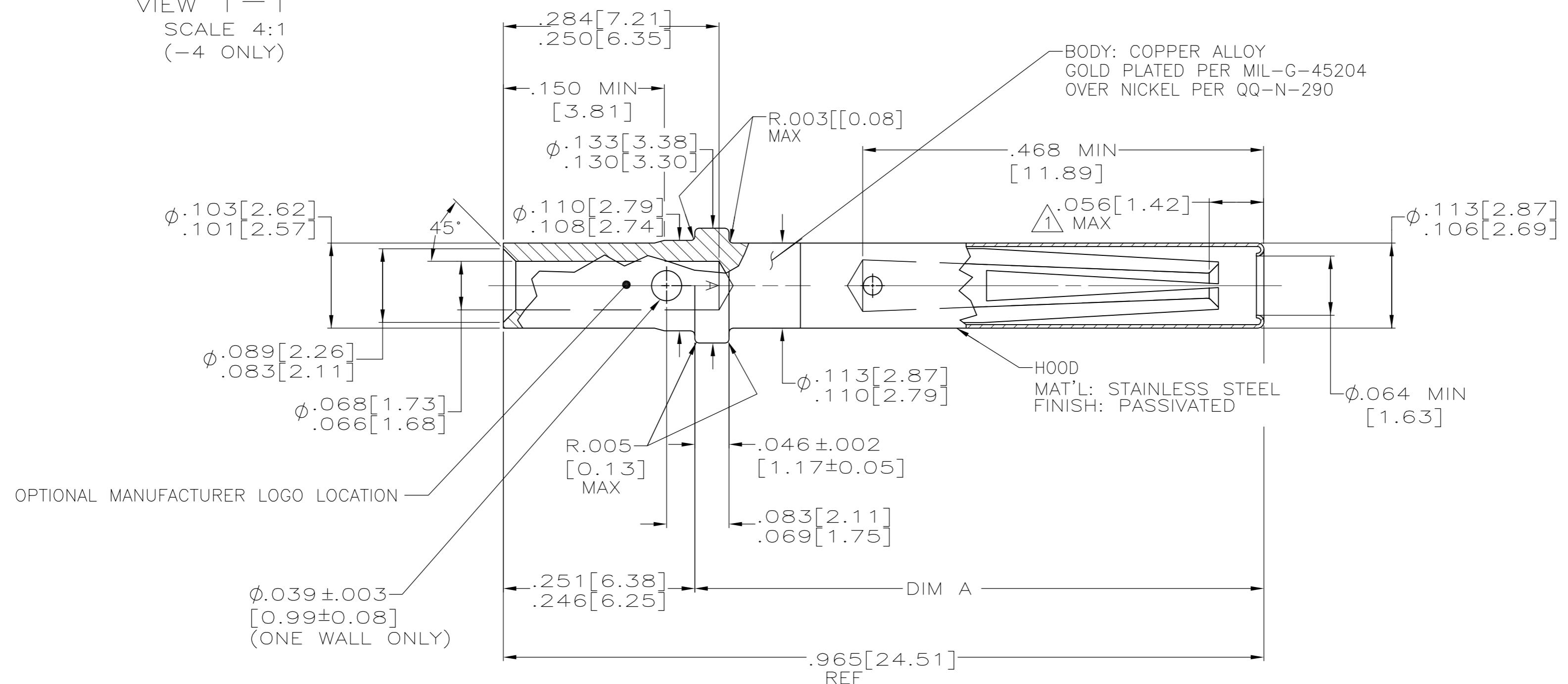
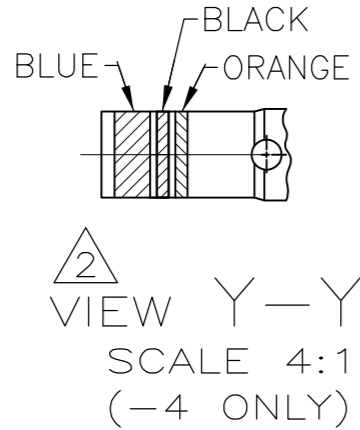
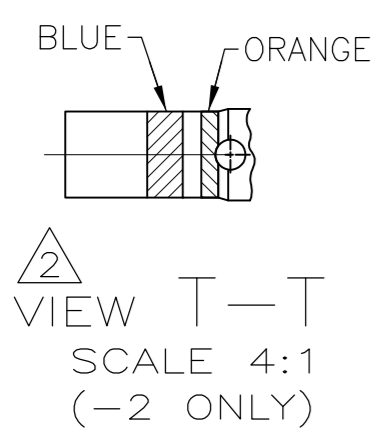


THIS DRAWING IS UNPUBLISHED. RELEASED FOR PUBLICATION
 © COPYRIGHT BY TYCO ELECTRONICS CORPORATION. ALL RIGHTS RESERVED.

LOC	DIST	REVISIONS					
DF	A0	P	LTR	DESCRIPTION	DATE	DWN	APVD
		J		REV PER ECO 07-018300	8-22-07	CT	KH



1 ELECTRICAL ENGAGEMENT POINT.
 2 COLORS IN BIN CODE BAND MUST MEET EIA STD RS-359 OR USAS C83.1-1969 WITHIN THE EXTENDED LIMITS OF COLOR TOLERANCE NOTATIONS & COLOR CHIPS. LEFT BAND TO BE APPROX. TWICE THE WIDTH OF THE OTHER BANDS. FLAKING IN CRIMP AREA ACCEPTABLE PROVIDED COLOR BANDS ARE IDENTIFIABLE.

.714±.004 [18.14±0.10]	SEE VIEW Y-Y	208270-4
.718±.005 [18.24±0.13]	SEE VIEW T-T	208270-2
DIM A	COLOR CODE	PART NUMBER

THIS DRAWING IS A CONTROLLED DOCUMENT.		DWN	6-17-97	Tyco Electronics Corporation Harrisburg, PA 17105-3608			
DIMENSIONS: INCHES [mm]		CHK	S.McINTIRE	NAME			
TOLERANCES UNLESS OTHERWISE SPECIFIED:		APVD	S.McINTIRE	PRODUCT SPEC			
0 PLC ± -		APPLICATION SPEC		SIZE CAGE CODE DRAWING NO RESTRICTED TO			
1 PLC ± -				A2 00779 C=208270			
2 PLC ± -				SCALE 8:1 SHEET 1 of 1 REV J			
3 PLC ± .005 [0.13]							
4 PLC ± - 2'							
MATERIAL SEE CALLOUTS		FINISH	SEE CALLOUTS	CUSTOMER DRAWING			

Mouser Electronics

Authorized Distributor

Click to View Pricing, Inventory, Delivery & Lifecycle Information:

[TE Connectivity:](#)

[208270-2](#)