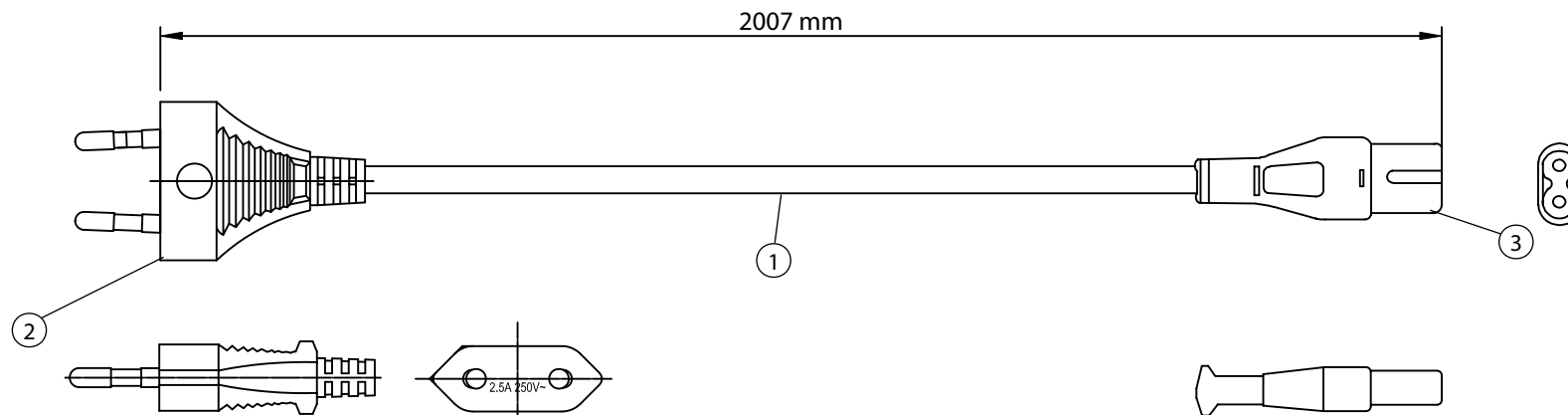


THESE DRAWINGS ARE THE PROPERTY OF QUALTEK ELECTRONICS AND NOT TO BE REPRODUCED FOR OR COMMUNICATED TO A THIRD PARTY WITHOUT THE EXPRESS WRITTEN PERMISSION OF AN OFFICER OF QUALTEK ELECTRONICS.

REVISION			
REV.	DESCRIPTION	DATE	APPROVED



CONTROLLED

NOTES:

1. CORDAGE: H03VVH2-F, 2x0.75mm, UNSHIELDED, CEE COLOR CODE, TEMP. RATING 70°C, RATING: 250V 2.5A, JACKET COLOR: BLACK
2. PLUG: IEC 884/EN 50 075
3. CONNECTOR: IEC 60320 C7
4. APPROVALS: GERMANY, SWITZERLAND, DENMARK, NORWAY, FINLAND, FRANCE, BELGIUM, ITALY, NETHERLANDS, SWEDEN, AUSTRIA
5. ROHS COMPLIANT

Dim range (mm)		Tolerance +/- (mm)	Qualtek Electronics Corp. PPC DIVISION		
0-1		0.15	Part Number: 360006-E01		RoHS Compliant
1-6		0.20	Description: POWER CORD		
6-18		0.30			
18-50		0.50			
50-120		0.70			
120-250		0.90	UNIT: mm		
250-500		1.20			
			Drawn / Date	Checked / Date	Approved / Date
			R.Nuti 10-30-07	10-30-07	JJH / 10-30-07

Mouser Electronics

Authorized Distributor

Click to View Pricing, Inventory, Delivery & Lifecycle Information:

[Qualtek:](#)

[360006-E01](#)