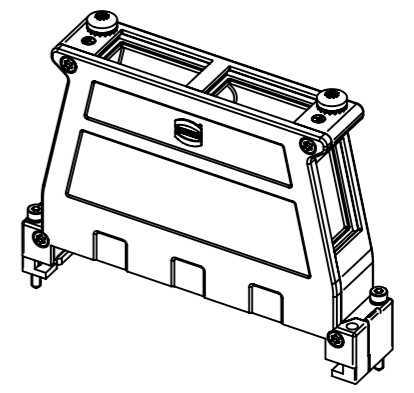
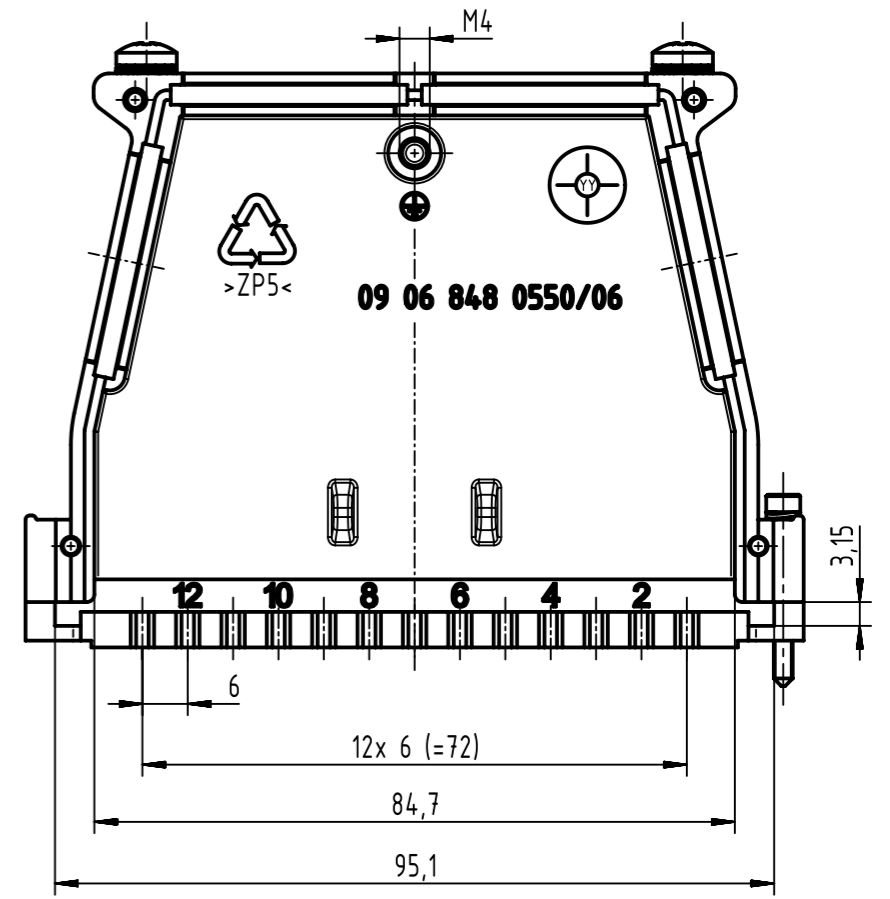


A  
view without cover



content shell housing			spare parts	
pos.	qty	description	part no.	qty
01	1	casing shell		
02	1	casing cover		
03	2	locking screw with tip M2.5x23 (assembled)	09 06 800 9953	1
04	4	countersunk head screw ISO 14581 M2.5x10-T8	09 06 800 9960	1
05	2	earthing screw M4x8	09 06 800 9958	1

	All rights reserved Department EC PD - DE HARTING Electronics GmbH D-32339 Espelkamp	All Dimensions in mm Original Size DIN A3	Scale 1:1	Free size tol.	Ref. Sub.
		Created by STORCK	Inspected by TADJE	Standardisation HOFFMANN	Date 2017-03-24
Title DIN Power shell housing D20 metal					Doc-Key / ECM-Nr. 100172031/UGD/005/F 500000117203
Type TB		Number 09068480550			Rev. F
					Page 1/1

# Mouser Electronics

Authorized Distributor

Click to View Pricing, Inventory, Delivery & Lifecycle Information:

[HARTING:](#)

[09068480550](#)