

## Description

The AP7380 series is a positive voltage regulator IC.

The AP7380 has features of wide input voltage range, high accuracy, low dropout voltage, current limit and ultra-low quiescent current which make it ideal for use in various USB and portable devices and instrument application.

The IC consists of a voltage reference, an error amplifier, a resistor network for setting output voltage, a current limit circuit for current protection, and a chip enable circuit.

The AP7380 is available in 1.8V, 3.0V, 3.3V, 3.6V, 4.15V, 4.4V and 5.0V fixed output voltage versions.

The AP7380 is available in space-saving SOT25 and SOT89 (Option 2) packages.

## Features

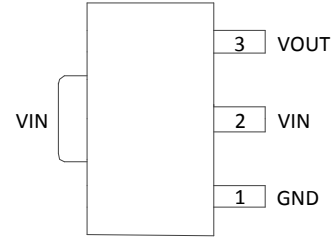
- Wide Input Voltage Range: Up to 24V
- Low Dropout Voltage:  $V_{DROP} = 500mV @ I_{OUT} = 50mA$
- Low Ground Current
- High Output Voltage Accuracy
- Compatible with Low ESR Ceramic Capacitor
- Excellent Line/Load Regulation
- Thermal Shutdown Function
- **Totally Lead-Free & Fully RoHS Compliant (Notes 1 & 2)**
- **Halogen and Antimony Free. "Green" Device (Note 3)**

## Applications

- Battery-powered Equipment
- Laptop, Palmtops, Notebook Computers
- Portable Information Appliances

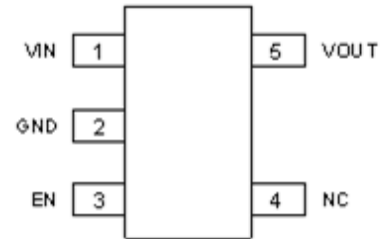
## Pin Assignments

(Top View)



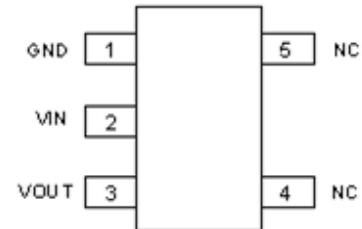
**SOT89 (Option 2)**

(Top View)



**SOT25 (W5 Package)**

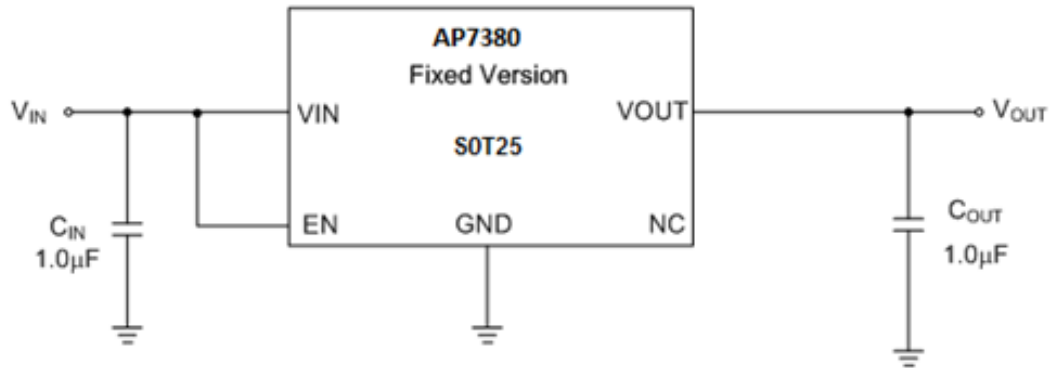
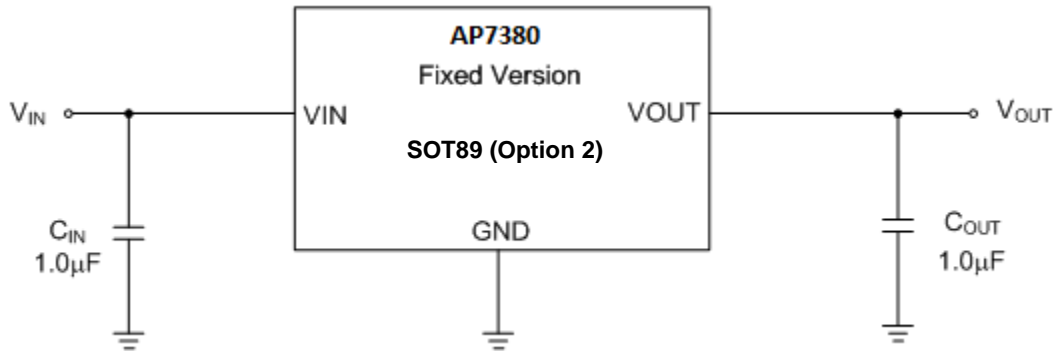
(Top View)



**SOT25 (WR Package)**

- Notes:
1. No purposely added lead. Fully EU Directive 2002/95/EC (RoHS) & 2011/65/EU (RoHS 2) compliant.
  2. See [http://www.diodes.com/quality/lead\\_free.html](http://www.diodes.com/quality/lead_free.html) for more information about Diodes Incorporated's definitions of Halogen- and Antimony-free, "Green" and Lead-free.
  3. Halogen- and Antimony-free "Green" products are defined as those which contain <900ppm bromine, <900ppm chlorine (<1500ppm total Br + Cl) and <1000ppm antimony compounds.

**Typical Applications Circuit**



**Pin Descriptions**

Pin Number			Pin Name	Function
SOT25 (W5)	SOT25 (WR)	SOT89 (Option 2)		
1	2	2	VIN	Input voltage
2	1	1	GND	Ground
3	—	—	EN	Enable input
4	4, 5	—	NC	No connected for fixed version
5	3	3	VOUT	Regulated output voltage

NEW PRODUCT

## Absolute Maximum Ratings

Symbol	Parameter	Rating		Unit
$V_{IN}$	Supply Input Voltage	30		V
$V_{EN}$	Enable Input Voltage	30		V
$I_{OUT}$	Output Current	200		mA
$T_{LEAD}$	Lead Temperature (Soldering, 10sec)	+260		°C
$T_J$	Operating Junction Temperature	+150		°C
$\theta_{JA}$	Thermal Resistance (Junction to Ambient)	SOT25 (W5)	193	°C/W
		SOT25 (WR)	166	
		SOT89 (Option 2)	118	
$\theta_{JC}$	Thermal Resistance (Junction to Case)	SOT25 (W5)	68	°C/W
		SOT25 (WR)	26	
		SOT89 (Option 2)	20	
$T_{STG}$	Storage Temperature Range	-65 to +150		°C
—	ESD (Machine Model)	250		V
—	ESD (Human Body Model)	2500		V

## Recommended Operating Conditions

Symbol	Parameter	Min	Max	Unit
$V_{IN}$	Supply Input Voltage	3.5	24	V
$T_J$	Operating Junction Temperature	-40	+125	°C

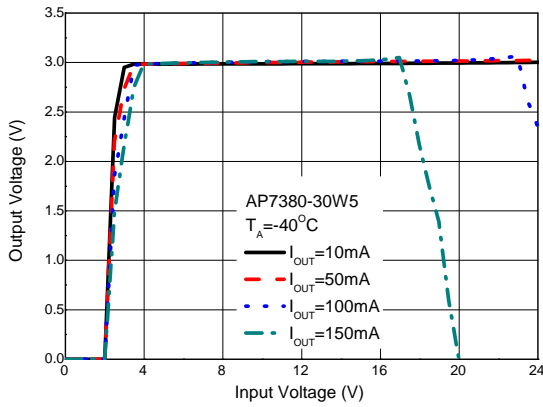
**Electrical Characteristics** (@  $V_{IN} = V_{OUT} + 2V$ ,  $C_{IN} = 1.0\mu F$ ,  $C_{OUT} = 1.0\mu F$ , Typical  $T_J = +25^\circ C$ , unless otherwise specified.)

Symbol	Parameter	Test Conditions	Min	Typ	Max	Unit	
$V_{OUT}$	Output Voltage	$V_{IN} = V_{OUT} + 2V$ , $I_{OUT} = 10mA$ Variation from Specified $V_{OUT}$	$V_{OUT} \times 99\%$	$V_{OUT}$	$V_{OUT} \times 101\%$	V	
$V_{IN}$	Input Voltage	—	3.5	—	24	V	
$I_{LIMIT}$	Current Limit	$V_{IN} = V_{OUT} + 2V$ , $V_{OUT1} = 98\% \times V_{OUT}$	150	—	—	mA	
$\Delta V_{OUT}/\Delta V_{IN}/V_{OUT}$	Line Regulation	$V_{OUT} + 2V \leq V_{IN} \leq 24V$ , $I_{OUT} = 10mA$	—	0.05	—	%/V	
$\Delta V_{OUT}/V_{OUT}$	Load Regulation	$V_{IN} = V_{OUT} + 2V$ , $1mA \leq I_{OUT} \leq 150mA$	—	0.5	—	%	
$V_{DROP}$	Dropout Voltage	$3.0V \leq V_{OUT} < 5.0V$	$I_{OUT} = 50mA$	—	360	580	mV
			$I_{OUT} = 100mA$	—	750	1000	mV
			$I_{OUT} = 150mA$	—	1050	1500	mV
		$V_{OUT} = 5.0V$	$I_{OUT} = 50mA$	—	250	500	mV
			$I_{OUT} = 100mA$	—	550	750	mV
			$I_{OUT} = 150mA$	—	750	1100	mV
$I_{GND}$	Ground Current	$I_{OUT} = 0A$	—	1.8	3.0	$\mu A$	
		$I_{OUT} = 150mA$	—	1.8	3.0		
$I_{STD}$	Standby Current	$V_{EN}$ in OFF Mode	—	0.01	—	$\mu A$	
$\Delta V_{OUT}/(V_{OUT} \times \Delta T)$	Output Voltage Temperature Coefficient	$I_{OUT} = 100\mu A$ , $-40^\circ C \leq T_J \leq +125^\circ C$	—	$\pm 100$	—	ppm/ $^\circ C$	
$I_{EN}$	EN Pin Current	—	—	1	—	$\mu A$	
—	EN "High" Voltage	EN Input Voltage "High"	2.0	—	—	V	
—	EN "Low" Voltage	EN Input Voltage "Low"	—	—	0.4	V	
$T_{OTSD}$	Thermal Shutdown Temperature	—	—	+160	—	$^\circ C$	
$T_{HYOTSD}$	Thermal Shutdown Hysteresis	—	—	+20	—	$^\circ C$	

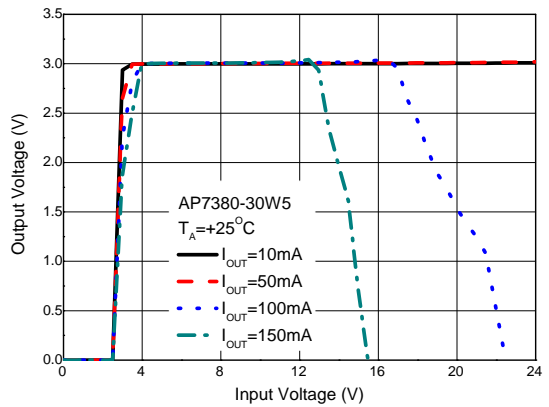
**Performance Characteristics**

NEW PRODUCT

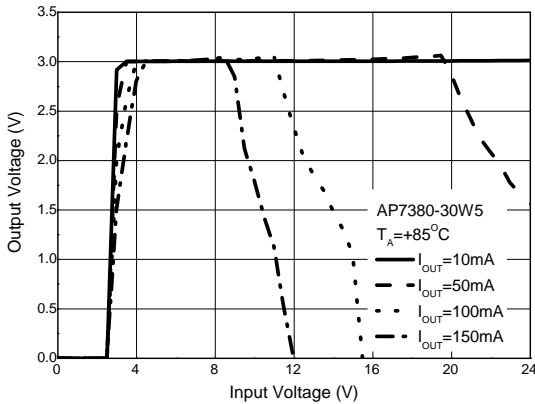
**Output Voltage vs. Input Voltage @-40°C**



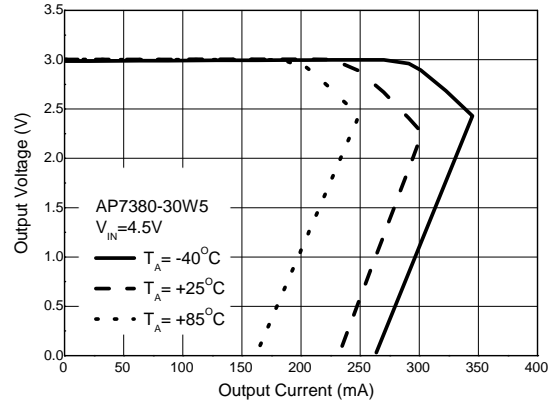
**Output Voltage vs. Input Voltage @+25°C**



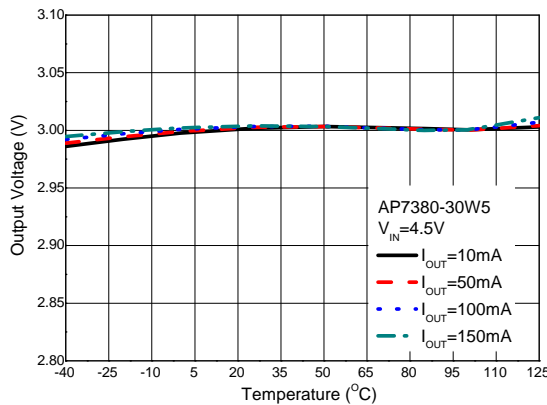
**Output Voltage vs. Input Voltage @+85°C**



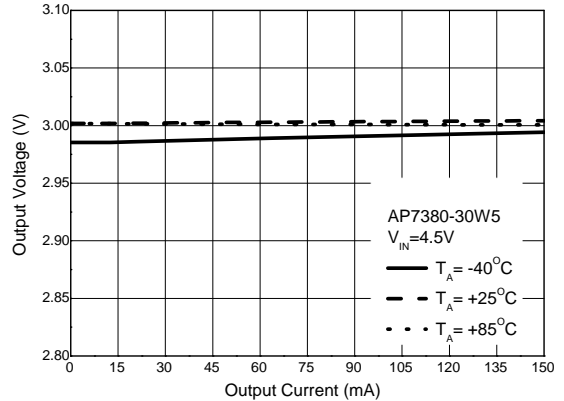
**Output Voltage vs. Output Current**



**Output Voltage vs. Temperature**

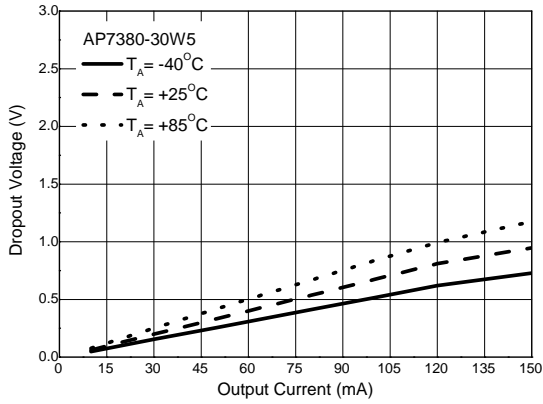


**Output Voltage vs. Output Current**

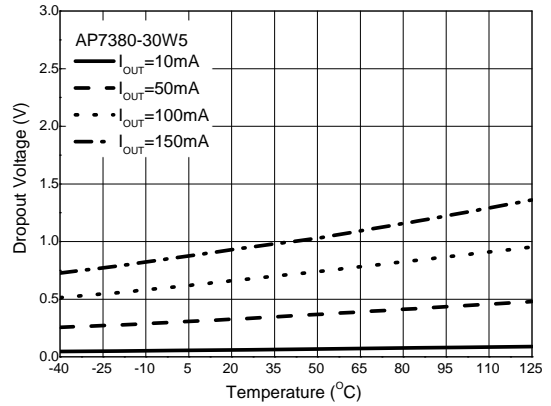


**Performance Characteristics (Cont.)**

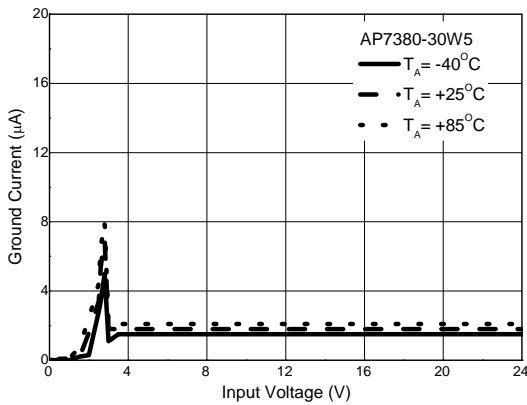
**Dropout Voltage vs. Output Current**



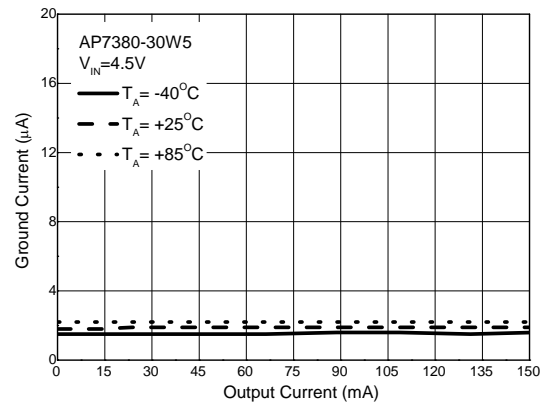
**Dropout Voltage vs. Temperature**



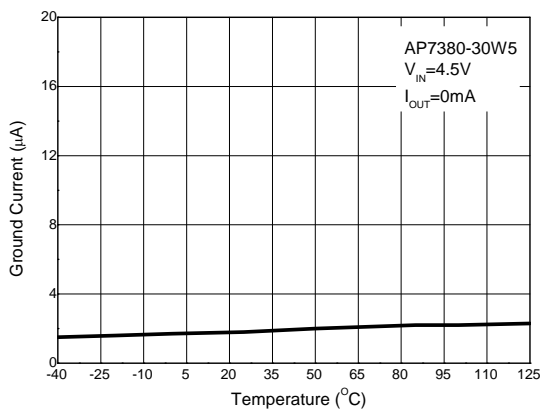
**$I_{GND}$  vs. Input Voltage**



**$I_{GND}$  vs. Output Current**

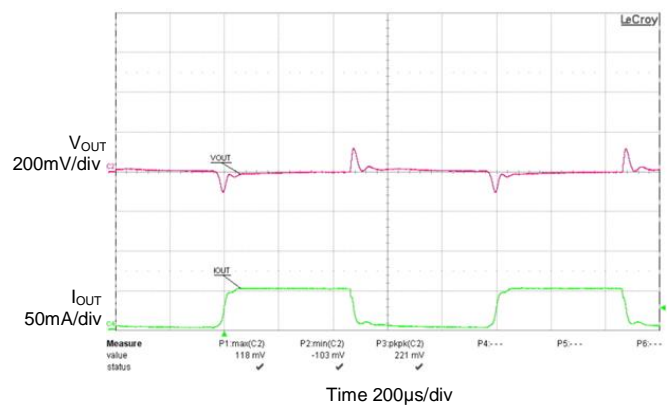


**$I_{GND}$  vs Temperature**

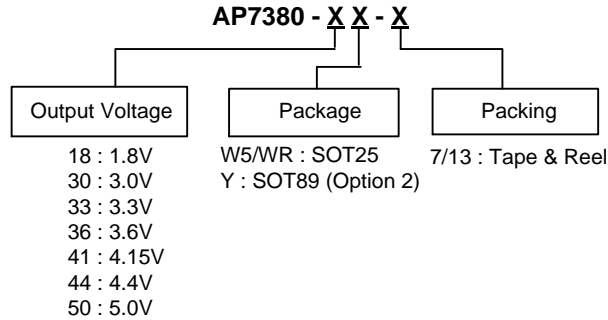


**Load Transient**

$C_{IN} = 1\mu\text{F}$ ,  $C_{OUT} = 1\mu\text{F}$ ,  $V_{IN} = V_{OUT} + 1.5\text{V to } 24\text{V}$ ,  $I_{OUT} = 0 \text{ to } 50\text{mA}$



Ordering Information



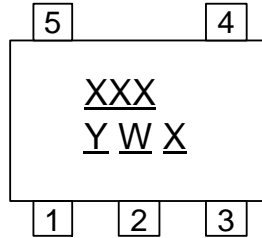
NEW PRODUCT

Part Number	Package Code	Package	7"/13" Tape and Reel	
			Quantity	Part Number Suffix
AP7380-18W5-7	W5	SOT25	3000/Tape & Reel	-7
AP7380-30W5-7	W5	SOT25	3000/Tape & Reel	-7
AP7380-33W5-7	W5	SOT25	3000/Tape & Reel	-7
AP7380-36W5-7	W5	SOT25	3000/Tape & Reel	-7
AP7380-41W5-7	W5	SOT25	3000/Tape & Reel	-7
AP7380-44W5-7	W5	SOT25	3000/Tape & Reel	-7
AP7380-50W5-7	W5	SOT25	3000/Tape & Reel	-7
AP7380-18WR-7	WR	SOT25	3000/Tape & Reel	-7
AP7380-30WR-7	WR	SOT25	3000/Tape & Reel	-7
AP7380-33WR-7	WR	SOT25	3000/Tape & Reel	-7
AP7380-36WR-7	WR	SOT25	3000/Tape & Reel	-7
AP7380-41WR-7	WR	SOT25	3000/Tape & Reel	-7
AP7380-44WR-7	WR	SOT25	3000/Tape & Reel	-7
AP7380-50WR-7	WR	SOT25	3000/Tape & Reel	-7
AP7380-18Y-13	Y	SOT89 (Option 2)	2500/Tape & Reel	-13
AP7380-30Y-13	Y	SOT89 (Option 2)	2500/Tape & Reel	-13
AP7380-33Y-13	Y	SOT89 (Option 2)	2500/Tape & Reel	-13
AP7380-36Y-13	Y	SOT89 (Option 2)	2500/Tape & Reel	-13
AP7380-41Y-13	Y	SOT89 (Option 2)	2500/Tape & Reel	-13
AP7380-44Y-13	Y	SOT89 (Option 2)	2500/Tape & Reel	-13
AP7380-50Y-13	Y	SOT89 (Option 2)	2500/Tape & Reel	-13

**Marking Information**

(1) SOT25

(Top View)

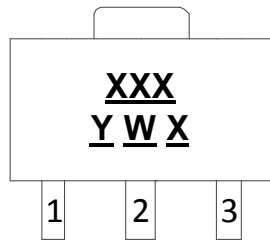


XXX : Identification Code  
Y : Year 0 to 9  
W : Week : A to Z : 1 to 26 week;  
a to z : 27 to 52 week; z represents 52 and 53 week  
X : Internal Code

Part Number	Package	Identification Code
AP7380-18W5-7	SOT25	D8M
AP7380-30W5-7	SOT25	D8E
AP7380-33W5-7	SOT25	D8A
AP7380-36W5-7	SOT25	D8P
AP7380-41W5-7	SOT25	D8F
AP7380-44W5-7	SOT25	D8G
AP7380-50W5-7	SOT25	D8B
AP7380-18WR-7	SOT25	D8N
AP7380-30WR-7	SOT25	D8H
AP7380-33WR-7	SOT25	D8C
AP7380-36WR-7	SOT25	D8R
AP7380-41WR-7	SOT25	D8J
AP7380-44WR-7	SOT25	D8K
AP7380-50WR-7	SOT25	D8D

(2) SOT89 (Option 2)

(Top View)



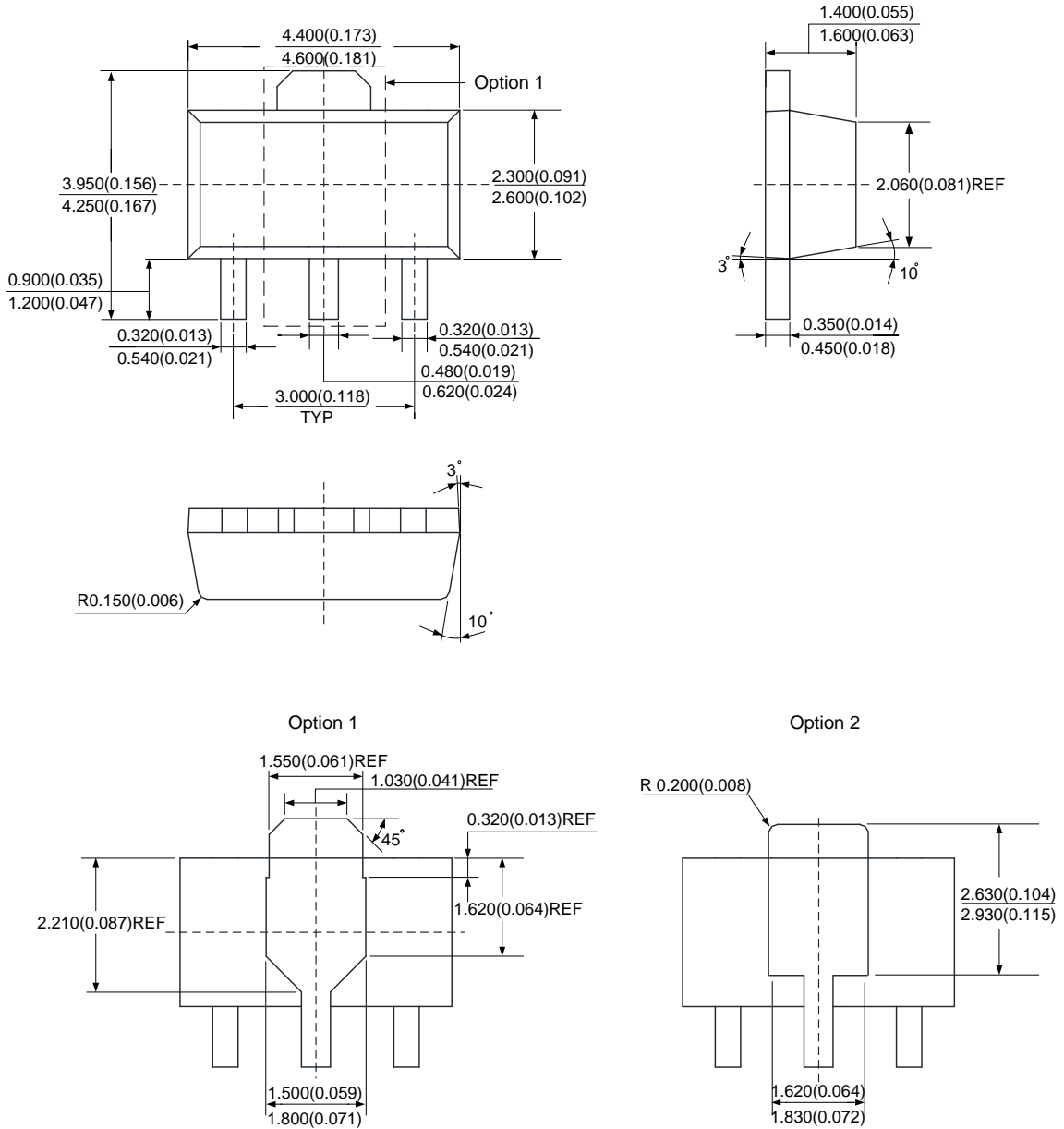
XXX : Identification code  
Y : Year : 0~9  
W : Week : A~Z : 1~26 week;  
a~z : 27~52 week;  
z represents 52 and 53 week  
X : Internal code

Part Number	Package	Identification Code
AP7380-18Y-13	SOT89 (Option 2)	D8M
AP7380-30Y-13	SOT89 (Option 2)	D8E
AP7380-33Y-13	SOT89 (Option 2)	D8A
AP7380-36Y-13	SOT89 (Option 2)	D8P
AP7380-41Y-13	SOT89 (Option 2)	D8F
AP7380-44Y-13	SOT89 (Option 2)	D8G
AP7380-50Y-13	SOT89 (Option 2)	D8B



**Package Outline Dimensions** (All dimensions in mm.)

(1) Package Type: SOT89

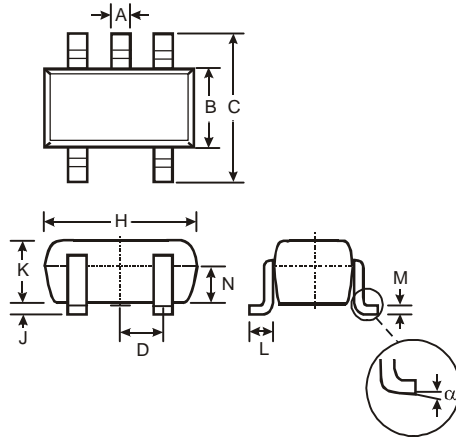


NEW PRODUCT

**Package Outline Dimensions (Cont.)**

Please see <http://www.diodes.com/package-outlines.html> for the latest version.

(2) Package Type: SOT25



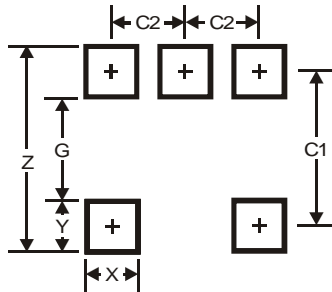
SOT25			
Dim	Min	Max	Typ
A	0.35	0.50	0.38
B	1.50	1.70	1.60
C	2.70	3.00	2.80
D	-	-	0.95
H	2.90	3.10	3.00
J	0.013	0.10	0.05
K	1.00	1.30	1.10
L	0.35	0.55	0.40
M	0.10	0.20	0.15
N	0.70	0.80	0.75
α	0°	8°	-
All Dimensions in mm			

NEW PRODUCT

**Suggested Pad Layout**

Please see <http://www.diodes.com/package-outlines.html> for the latest version.

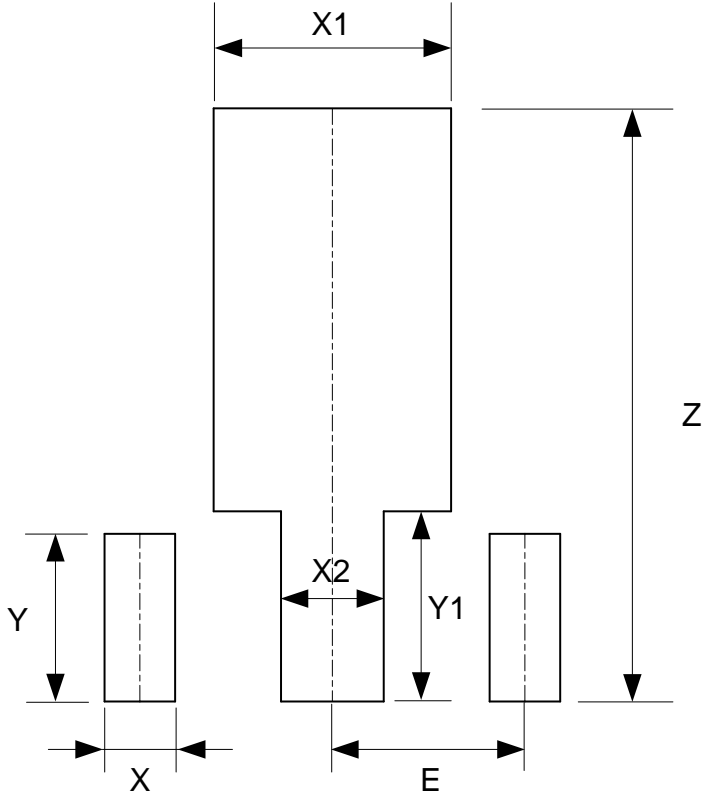
(1) Package Type: SOT25



Dimensions	Value
Z	3.20
G	1.60
X	0.55
Y	0.80
C1	2.40
C2	0.95

**Suggested Pad Layout (Cont.)**

(2) Package Type: SOT89



Dimensions	Z (mm)/(inch)	X (mm)/(inch)	X1 (mm)/(inch)	X2 (mm)/(inch)	Y (mm)/(inch)	Y1 (mm)/(inch)	E (mm)/(inch)
Value	4.600/0.181	0.550/0.022	1.850/0.073	0.800/0.031	1.300/0.051	1.475/0.058	1.500/0.059

NEW PRODUCT

**IMPORTANT NOTICE**

DIODES INCORPORATED MAKES NO WARRANTY OF ANY KIND, EXPRESS OR IMPLIED, WITH REGARDS TO THIS DOCUMENT, INCLUDING, BUT NOT LIMITED TO, THE IMPLIED WARRANTIES OF MERCHANTABILITY AND FITNESS FOR A PARTICULAR PURPOSE (AND THEIR EQUIVALENTS UNDER THE LAWS OF ANY JURISDICTION).

Diodes Incorporated and its subsidiaries reserve the right to make modifications, enhancements, improvements, corrections or other changes without further notice to this document and any product described herein. Diodes Incorporated does not assume any liability arising out of the application or use of this document or any product described herein; neither does Diodes Incorporated convey any license under its patent or trademark rights, nor the rights of others. Any Customer or user of this document or products described herein in such applications shall assume all risks of such use and will agree to hold Diodes Incorporated and all the companies whose products are represented on Diodes Incorporated website, harmless against all damages.

Diodes Incorporated does not warrant or accept any liability whatsoever in respect of any products purchased through unauthorized sales channel. Should Customers purchase or use Diodes Incorporated products for any unintended or unauthorized application, Customers shall indemnify and hold Diodes Incorporated and its representatives harmless against all claims, damages, expenses, and attorney fees arising out of, directly or indirectly, any claim of personal injury or death associated with such unintended or unauthorized application.

Products described herein may be covered by one or more United States, international or foreign patents pending. Product names and markings noted herein may also be covered by one or more United States, international or foreign trademarks.

This document is written in English but may be translated into multiple languages for reference. Only the English version of this document is the final and determinative format released by Diodes Incorporated.

**LIFE SUPPORT**

Diodes Incorporated products are specifically not authorized for use as critical components in life support devices or systems without the express written approval of the Chief Executive Officer of Diodes Incorporated. As used herein:

A. Life support devices or systems are devices or systems which:

1. are intended to implant into the body, or
2. support or sustain life and whose failure to perform when properly used in accordance with instructions for use provided in the labeling can be reasonably expected to result in significant injury to the user.

B. A critical component is any component in a life support device or system whose failure to perform can be reasonably expected to cause the failure of the life support device or to affect its safety or effectiveness.

Customers represent that they have all necessary expertise in the safety and regulatory ramifications of their life support devices or systems, and acknowledge and agree that they are solely responsible for all legal, regulatory and safety-related requirements concerning their products and any use of Diodes Incorporated products in such safety-critical, life support devices or systems, notwithstanding any devices- or systems-related information or support that may be provided by Diodes Incorporated. Further, Customers must fully indemnify Diodes Incorporated and its representatives against any damages arising out of the use of Diodes Incorporated products in such safety-critical, life support devices or systems.

Copyright © 2017, Diodes Incorporated

[www.diodes.com](http://www.diodes.com)

# Mouser Electronics

Authorized Distributor

Click to View Pricing, Inventory, Delivery & Lifecycle Information:

## Diodes Incorporated:

[AP7380-50WR-7](#) [AP7380-33W5-7](#) [AP7380-50Y-13](#) [AP7380-33WR-7](#) [AP7380-41Y-13](#) [AP7380-41W5-7](#) [AP7380-30W5-7](#) [AP7380-44W5-7](#) [AP7380-30WR-7](#) [AP7380-50W5-7](#) [AP7380-33Y-13](#) [AP7380-44Y-13](#) [AP7380-30Y-13](#) [AP7380-44WR-7](#) [AP7380-41WR-7](#) [AP7380-36Y-13](#) [AP7380-36WR-7](#)