

CURRENT REGULATIVE LED

CRLED

- CRLED is LED which supplies constant current to keep LED Intensity Consistency even when power supply voltage fluctuations or load impedance fluctuations occur.

- CRLED is used with current stabilization and current limiting

■Features

- High Luminous LEDs / 5mm Round Standard Directivity
- Superior Weather-resistance / UV Resistant Epoxy
- Water Clear Type

■Absolute Maximum Rating

(Ta=25°C)

Item	Symbol	Value	Unit
DC Forward Voltage	V _F	20	V
Power Dissipation	P _D	320	mW
Operating Temperature	T _{opr}	-30 ~ +85	°C
Storage Temperature	T _{stg}	-40~ +100	°C
Lead Soldering Temperature	T _{sol}	260°C/5sec	-

■Electrical -Optical Characteristics

(Ta=25°C)

Part Number	Color	VF(V)*		IF (mA)			IR(μA)	Iv(mcd)*			λD(nm)*			2θ1/2(deg)
		Min	Ma	Min	Typ.	Max.	Max..	Min.	Typ.	Max.	Min.	Typ.	Max.	Typ.
		· X.		V _F =12V			V _R =8V	V _F =12V						
OSW5DK5B61A-CRLED14	White	5.5	20	-	14	-	10	-	7000	-	X=0.27, Y=0.28		60	
OSM5DK5B61A-CRLED14	Warm White	5.5	20	-	14	-	10	-	5800	-	X=0.45, Y=0.41		60	
OSB5SA5B61A-CRLED14	Blue	5.5	20	-	14	-	10	-	3000	-	465 470 475		60	
OSG5DA5B61A-CRLED14	Pure Green	5.5	20	-	14	-	10	-	7000	-	520 525 530		60	
OSY5PA5B61A-CRLED14	Yellow	5	20	-	14	-	10	-	3000	-	585 590 595		60	
OSO5PA5B61A-CRLED14	Orange	5	20	-	14	-	10	-	4200	-	600 605 610		60	
OSR5PA5B61A-CRLED14	Red	5	20	-	14	-	10	-	3000	-	620 625 630		60	

*1 Tolerance of measurements of chromaticity coordinate is ±10%

*2 Tolerance of measurements of dominant wavelength is ±1nm

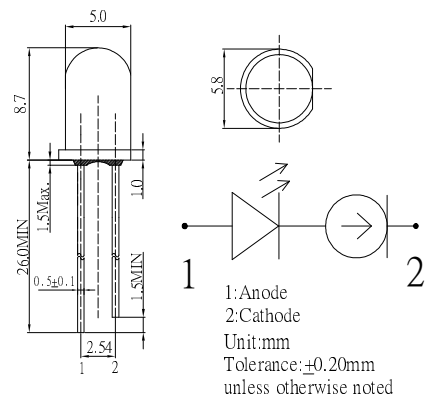
*3 Tolerance of measurements of luminous intensity is ±15%

*4 Tolerance of measurements of forward voltage is ±0.1V

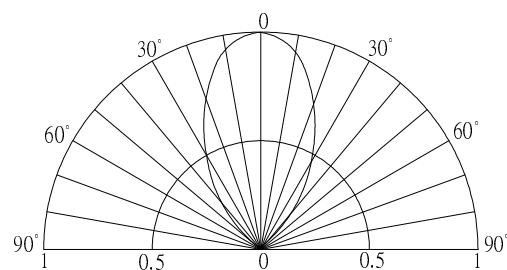
■Applications

- Electronic Signs And Signals/ Small Area Illuminations
- Back Lighting/ Toys/ Other Lighting

■Outline Dimension



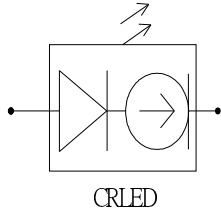
■Directivity



Current Regulative LED
5mm Round LED
OSXXXX5B61A-CRLED14

■ **Typical Applications**

1 : Single LED



2 : Multi- LEDs in series

