

1577623-1 ✓ ACTIVE



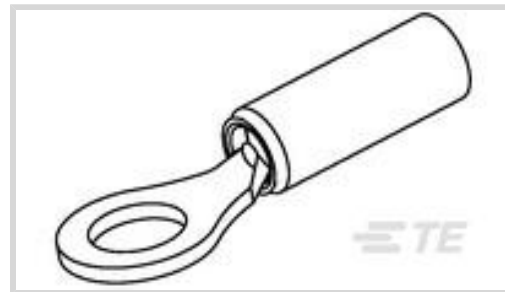
STRATO-THERM

TE Internal #: 1577623-1

Rings & Spades, Ring Tongue, 20AWG Wire Size, .518mm² Wire Size, 509 – 3260CMA Wire Size, #8 / M4, Stud Diameter 4.34 mm [171 in]

[View on TE.com >](#)

Terminals & Splices > Rings & Spades



Terminal & Splice Type: **Ring Tongue**

Wire Size: **509 – 3260 CMA**

Ring & Spade Stud Size: **#8, M4**

Features

Product Type Features

Ring & Spade Stud Size	#8, M4
Ring & Spade Barrel Type	Closed Barrel
Sealable	No
Insulated	Yes
Ring & Spade Wire/Cable Type	Regular Wire
Support Style	Non - Insulation Support

Configuration Features

Number of Holes	1
Terminal Angle	Straight

Electrical Characteristics

Current Rating	1 A
----------------	-----

Body Features

Insulation Sleeve Color	Gray
Ring & Spade Plating Material	Copper, Nickel

Contact Features

Terminal & Splice Type	Ring Tongue
Ring & Spade Terminal Orientation	Straight

Mechanical Attachment

Wire Insulation Support	With
-------------------------	------



Dimensions

Wire Insulation Diameter (Min)	1.14 mm[.044 in]
Wire Size	509 – 3260 CMA
Stud Diameter	4.34 mm[.171 in]
Tongue Thickness	.79 mm[.031 in]
Ring & Spade Overall Length	21.16 mm[.833 in]
Ring & Spade Wire Insulation Diameter (Max)	2.03 mm[.08 in]
Ring & Spade Wire Insulation Diameter	1.14 – 2.03 mm[.045 – .08 in]

Usage Conditions

Operating Temperature Range	260 °C[500 °F]
-----------------------------	----------------

Operation/Application

Heavy Duty	No
------------	----

Industry Standards

Government Qualified	No
----------------------	----

Packaging Features

Packaging Quantity	500
Ring & Spade Packaging Method	Bag

Product Compliance

[For compliance documentation, visit the product page on TE.com>](#)

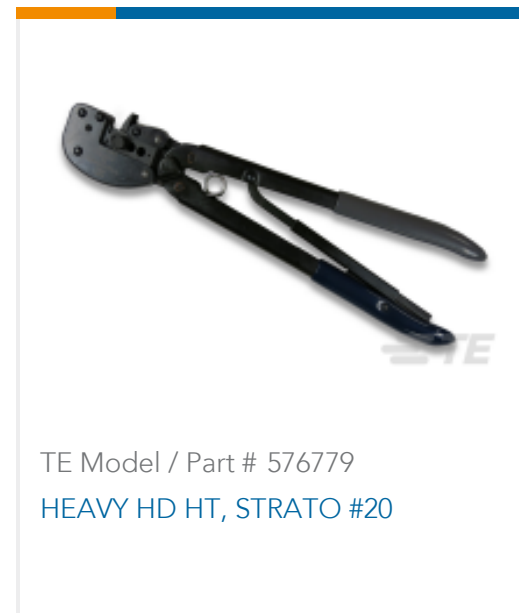
EU RoHS Directive 2011/65/EU	Compliant
EU ELV Directive 2000/53/EC	Compliant
China RoHS 2 Directive MIIT Order No 32, 2016	No Restricted Materials Above Threshold
EU REACH Regulation (EC) No. 1907/2006	Current ECHA Candidate List: JUN 2020 (209) Candidate List Declared Against: JUN 2020 (209) Does not contain REACH SVHC
Halogen Content	Low Halogen - Br, Cl, F, I < 900 ppm per homogenous material. Also BFR/CFR/PVC Free
Solder Process Capability	Not applicable for solder process capability

Product Compliance Disclaimer

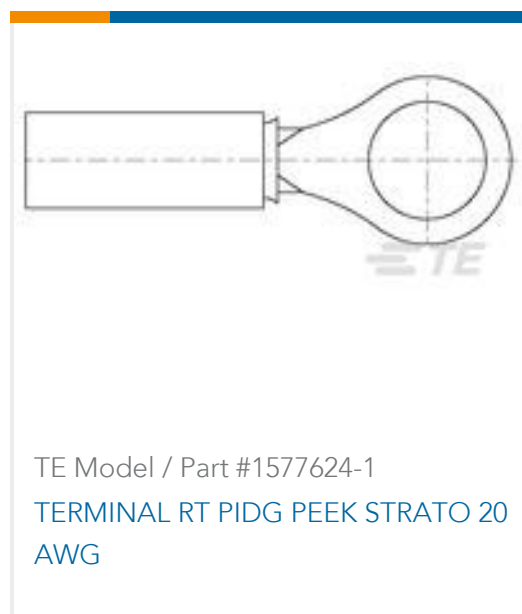
This information is provided based on reasonable inquiry of our suppliers and represents our current actual knowledge based on the information they provided. This information is subject to change. The part numbers that TE has identified as

EU RoHS compliant have a maximum concentration of 0.1% by weight in homogenous materials for lead, hexavalent chromium, mercury, PBB, PBDE, DBP, BBP, DEHP, DIBP, and 0.01% for cadmium, or qualify for an exemption to these limits as defined in the Annexes of Directive 2011/65/EU (RoHS2). Finished electrical and electronic equipment products will be CE marked as required by Directive 2011/65/EU. Components may not be CE marked. Additionally, the part numbers that TE has identified as EU ELV compliant have a maximum concentration of 0.1% by weight in homogenous materials for lead, hexavalent chromium, and mercury, and 0.01% for cadmium, or qualify for an exemption to these limits as defined in the Annexes of Directive 2000/53/EC (ELV). Regarding the REACH Regulation, the information TE provides on SVHC in articles for this part number is based on the latest European Chemicals Agency (ECHA) 'Guidance on requirements for substances in articles' posted at this URL: <https://echa.europa.eu/guidance-documents/guidance-on-reach>

Compatible Parts



Customers Also Bought





Documents

Product Drawings

[TERMINAL, PEEK PIDG STRATO, 20AWG](#)

English

CAD Files

[3D PDF](#)

3D

Customer View Model

[ENG_CVM_CVM_1577623-1_B.2d_dxf.zip](#)

English

Customer View Model

[ENG_CVM_CVM_1577623-1_B.3d_igs.zip](#)

English

Customer View Model

[ENG_CVM_CVM_1577623-1_B.3d_stp.zip](#)

English

By downloading the CAD file I accept and agree to the [Terms and Conditions](#) of use.

Product Specifications

[Application Specification](#)

English

Product Environmental Compliance

[TE Material Declaration](#)

English