



Connectors > Rectangular Connectors > Connector Contacts

Contact Type: **Pin**Contact Mating Area Plating Material: **Gold**Wire Contact Termination Area Plating Material: **Gold**Operating Voltage: **115 VDC**

Features

Product Type Features

Barrel Type	Crimp
Connector System	Cable-to-Cable
Sealable	Yes
Connector & Contact Terminates To	Wire & Cable

Configuration Features

Compatible With Wire & Cable Type	Discrete Wire
-----------------------------------	---------------

Electrical Characteristics

Operating Voltage	115 VDC
-------------------	---------

Body Features

Lattice Contact Mating Area Plating Material	Gold
--	------

Contact Features

Contact Type	Pin
Contact Mating Area Plating Material	Gold
Wire Contact Termination Area Plating Material	Gold
Contact Retention Within Housing	With
Contact Size Code	22
Contact Base Material	Copper Alloy
Contact Current Rating (Max)	5 A



Termination Features

Termination Method to Wire & Cable	Crimp
------------------------------------	-------

Mechanical Attachment

Contact Retention Type Within Housing	Spring
---------------------------------------	--------

Dimensions

Wire Size	.129 – .326 mm ²
-----------	-----------------------------

Usage Conditions

Operating Temperature Range	-65 – 125 °C[-85 – 257 °F]
-----------------------------	----------------------------

Operation/Application

Circuit Application	Power, Signal & Data
---------------------	----------------------

Product Compliance

[For compliance documentation, visit the product page on TE.com>](#)

EU RoHS Directive 2011/65/EU	Compliant with Exemptions
EU ELV Directive 2000/53/EC	Out of Scope
China RoHS 2 Directive MIIT Order No 32, 2016	Restricted Materials Above Threshold
EU REACH Regulation (EC) No. 1907/2006	<p>Current ECHA Candidate List: JUN 2020 (209)</p> <p>Candidate List Declared Against: JUN 2020 (209)</p> <p>SVHC > Threshold: Pb (1.2% in in alloy)</p> <p>Article Safe Usage Statements: Do not eat, drink or smoke when using this product. Wash thoroughly after handling. Recycle if possible and dispose of the article by following all applicable governmental regulations relevant to your geographic location.</p>
Halogen Content	Low Halogen - Br, Cl, F, I < 900 ppm per homogenous material. Also BFR/CFR/PVC Free
Solder Process Capability	Not reviewed for solder process capability

Product Compliance Disclaimer

This information is provided based on reasonable inquiry of our suppliers and represents our current actual knowledge based on the information they provided. This information is subject to change. The part numbers that TE has identified as EU RoHS compliant have a maximum concentration of 0.1% by weight in homogenous materials for lead, hexavalent chromium, mercury, PBB, PBDE, DBP, BBP, DEHP, DIBP, and 0.01% for cadmium, or qualify for an exemption to these limits as defined in the Annexes of Directive 2011/65/EU (RoHS2). Finished electrical and electronic equipment products will be CE marked as required by Directive 2011/65/EU. Components may not be CE marked. Additionally, the part numbers that TE has identified as EU ELV compliant have a maximum concentration of 0.1% by weight in homogenous materials for lead, hexavalent chromium, and mercury, and 0.01% for cadmium, or qualify for an exemption to these limits as defined in the Annexes of Directive 2000/53/EC (ELV). Regarding the REACH Regulation, the information TE provides

on SVHC in articles for this part number is based on the latest European Chemicals Agency (ECHA) 'Guidance on requirements for substances in articles' posted at this URL: <https://echa.europa.eu/guidance-documents/guidance-on-reach>

Compatible Parts



TE

TE Model / Part #
ZPF00000000020163
FMJ 12D 22-01



TE

TE Model / Part #
ZPF00000000020169
FMJ 12E 22-01



TE

TE Model / Part #
ZPF00000000020171
FMJ 12E 22-03



TE

TE Model / Part #
ZPF00000000020173
FMJ 12E 22-05



TE

TE Model / Part #
ZPF00000000020174
FMJ 12E 22-06



TE

TE Model / Part #
ZPF00000000020166
FMJ 12D 22-04



TE

TE Model / Part #
ZPF00000000020165
FMJ 12D 22-03



TE

TE Model / Part #
ZPF00000000020167
FMJ 12D 22-05



TE

TE Model / Part #
ZPF00000000020170
FMJ 12E 22-02



TE

TE Model / Part #
ZPF00000000020172
FMJ 12E 22-04



TE

TE Model / Part #
ZPF00000000020168
FMJ 12D 22-06

TE Model / Part #
ZPF00000000011439
AFMJ 11E 22-03 K




TE

TE Model / Part #
ZPF00000000020164
FMJ 12D 22-02


TE Model / Part #
ZPF00000000011436
AFMJ 11E 22-01 K

TE Model / Part #
ZPF00000000011437
AFMJ 11E 22-02 K

TE Model / Part #
ZPF00000000011440
AFMJ 11E 22-04 K




TE Model / Part #
ZPF00000000011441
AFMJ 11E 22-04 K 395



TE Model / Part #
ZPF00000000098817
FMJ 12D 22-07

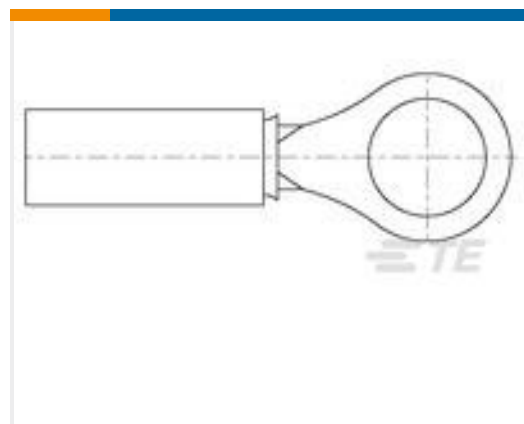


TE Model / Part #
ZPF00000000020175
FMJ 12E 22-07



TE Model / Part #
ZPF00000000020285
MOD 22-02


Customers Also Bought



TE Model / Part #1577624-1
TERMINAL RT PIDG PEEK STRATO 20 AWG



TE Model / Part #1577633-1
TERMINAL RT PIDG PEEK STRATO 18-16 AWG



TE Model / Part #953513-000
55PC0211-16-9CS2502



TE Model / Part #331249-000
55PC0211-20-9CS2502



TE Model / Part #911387-000
55PC0211-22-5LL-CS2502



TE Model / Part #ZPF00000000003651
724-8022-16



TE Model / Part #1577646-1
TERMINAL RT PIDG PEEK STRATO 10 AWG



TE Model / Part #ZPF00000000000570
020-0511-20



TE Model / Part #ZPF000000000001930
182-0118-20



TE Model / Part #928083-1
PL 187 REC HSG 1P NYLON NAT

Documents

Datasheets & Catalog Pages

[DEUTSCH Contacts Quick Reference Guide](#)

[English](#)