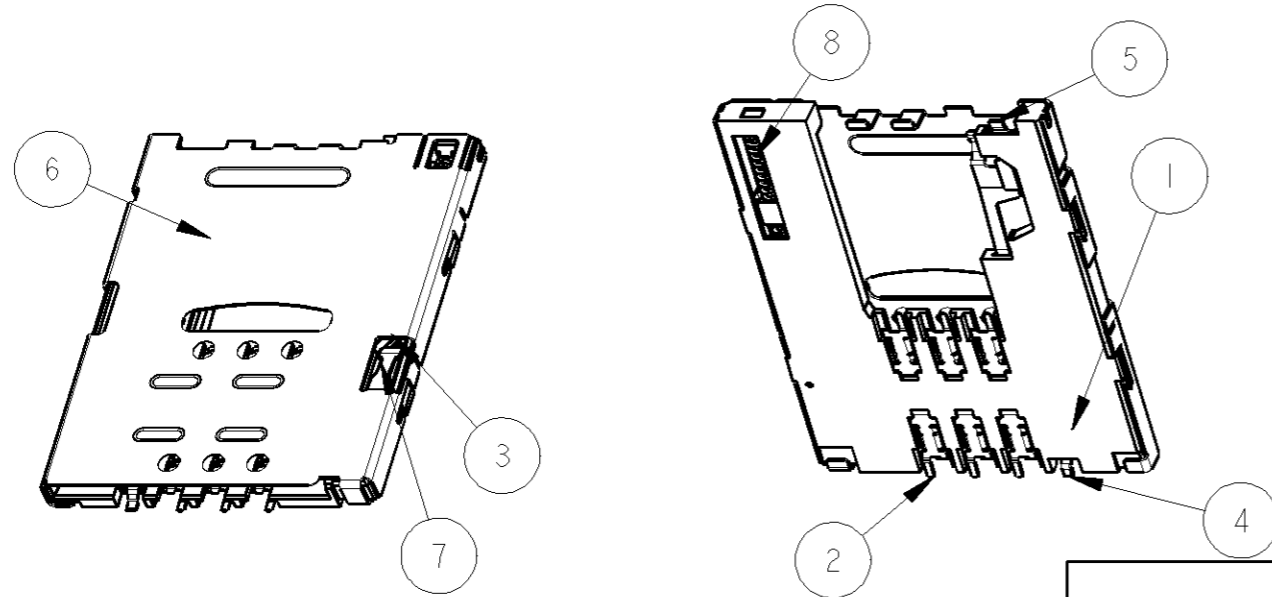
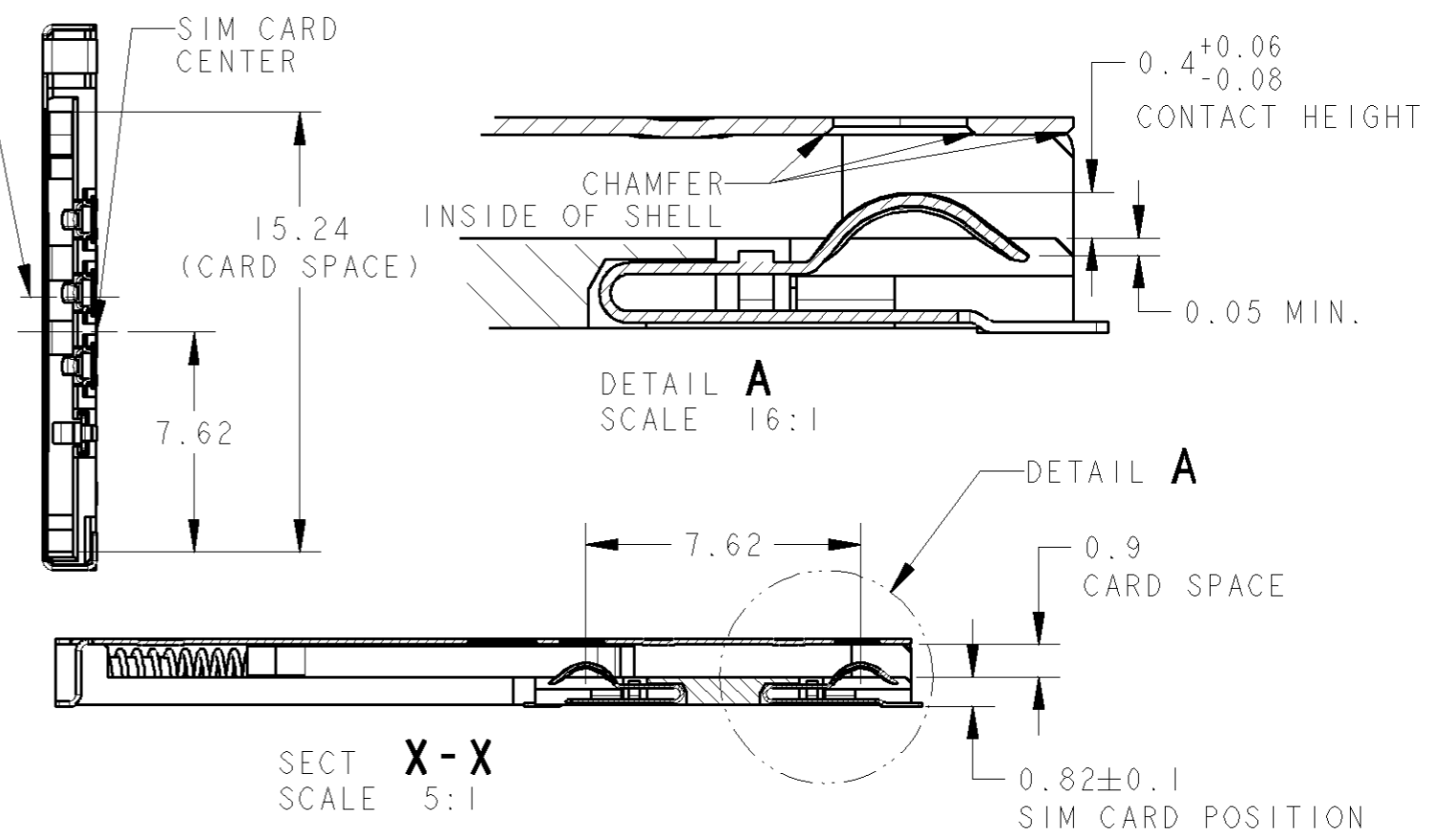
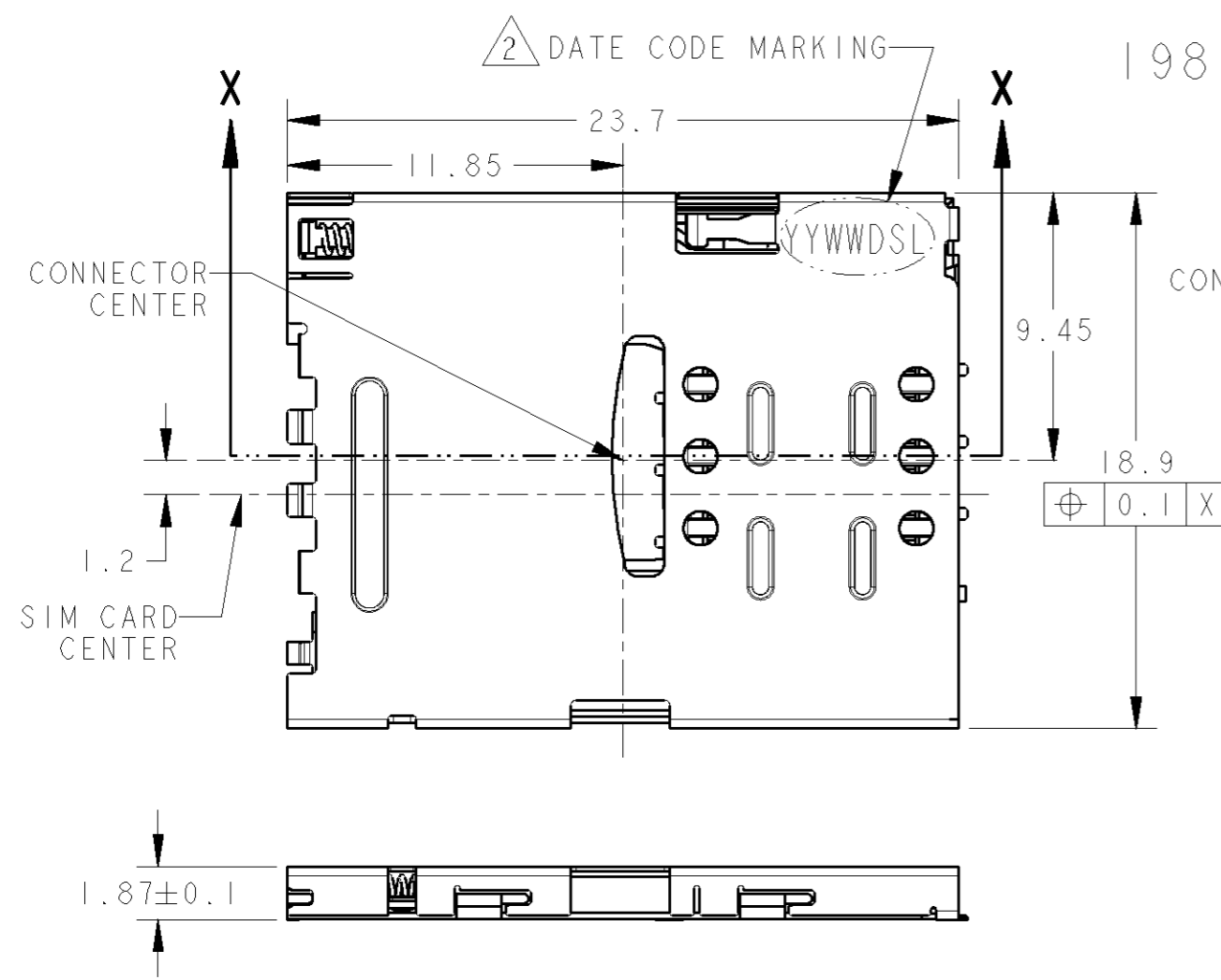


THIS DRAWING IS UNPUBLISHED. RELEASED FOR PUBLICATION
 © COPYRIGHT - BY - ALL INTERNATIONAL RIGHTS RESERVED.

LOC	DIST	REVISIONS					
J		P	LTR	DESCRIPTION	DATE	DWN	APVD
				C1 REVISED PER ECO-11-005030	26APR11	RK	HMR

1981959-1; AS SHOWN



1	—	STEEL WIRE	COIL SPRING	8
1	—	STAINLESS	CAM ROD	7
1	ALL OVER Ni; 1um MIN SOLDERING AREA; MATTE TIN PLATING	COPPER ALLOY	SHELL	6
1	ALL OVER Ni; 1um MIN CONTACT AREA; Au 0.05um MIN SOLDERING AREA; TIN PLATING	COPPER ALLOY	SWITCH B	5
1	ALL OVER Ni; 1um MIN CONTACT AREA; Au 0.05um MIN SOLDERING AREA; TIN PLATING	COPPER ALLOY	SWITCH A	4
1	COLOR; BLACK	LCP	SLIDER	3
6	ALL OVER Ni; 1um MIN CONTACT AREA; Au 0.4um MIN SOLDERING AREA; Au 0.05um MIN	COPPER ALLOY	CONTACT	2
1	COLOR; BLACK	LCP	HOUSING	1
QTY	FINISH	MATERIAL	DESCRIPTION	ITEM

1. CONNECTOR INITIAL COPLANARITY; 0.1mmMAX.

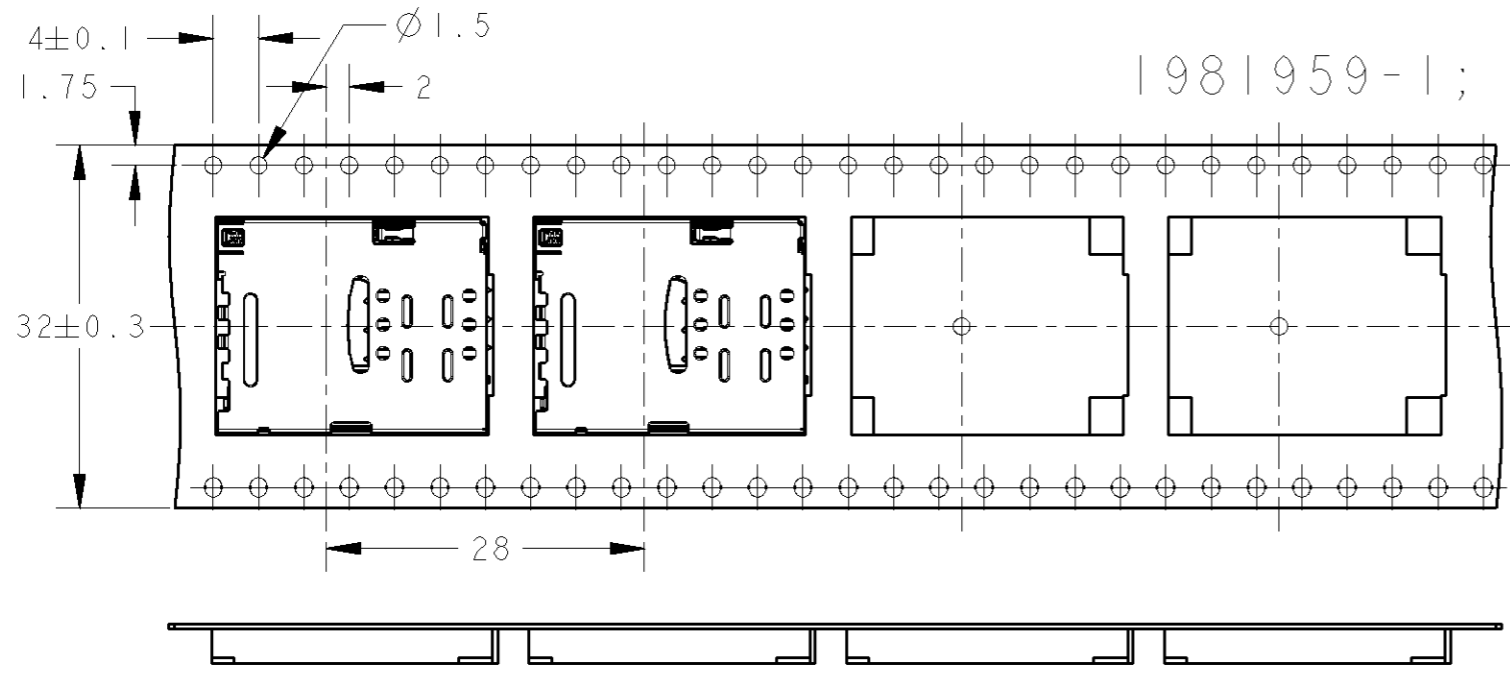
2. MARK DATE CODE

DWN 02NOV2007 C. OHASHI		TE TE Connectivity	
CHK 02NOV2007 Y. NAKAZAWA			
APVD 08NOV2007 T. FUJATSUGI		NAME 名称	
PRODUCT SPEC 製品規格 108-78454		SIM CONNECTOR PUSH-PUSH TYPE HI.87 WITH SWITCH	
APPLICATION SPEC 取付適用規格		SIZE A300779	CAGE CODE C=1981959
MATERIAL 材料 SEE TABLE		RESTRICTED TO	
DIMENSIONS: 単位: 概 mm		SCALE 尺度 4:1	
TOLERANCES UNLESS OTHERWISE SPECIFIED: 一般公差 ±0.12		SHEET 1 OF 4	
0 PLC ±		REV C1	
1 PLC ±		CUSTOMER DRAWING	
2 PLC ±			
3 PLC ±			
4 PLC ±			
ANGLES ±			
FINISH 仕 見 TABLE			
WEIGHT 1.2g			

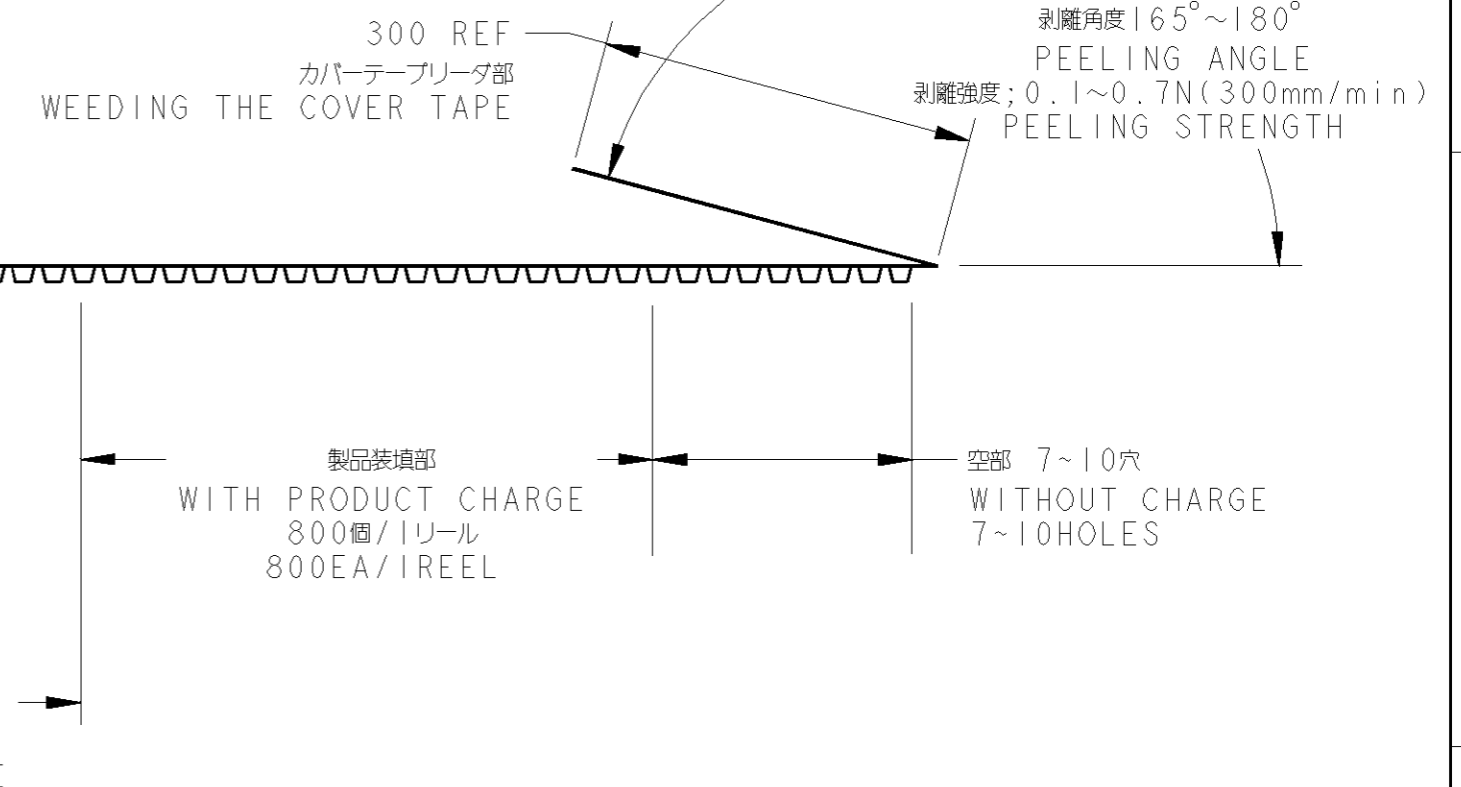
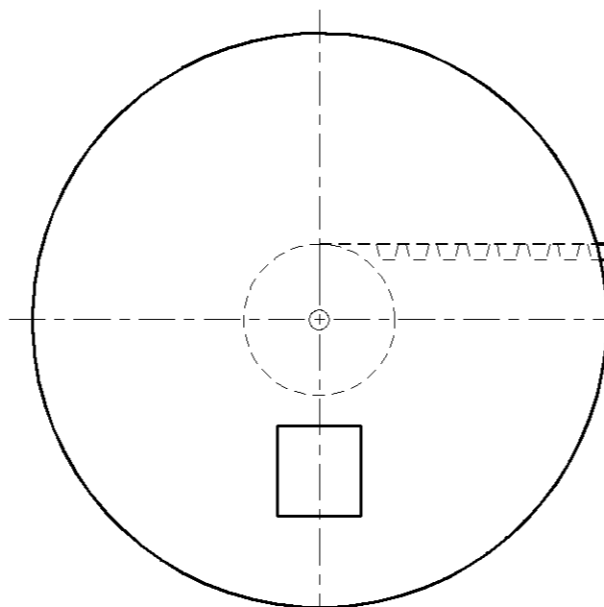
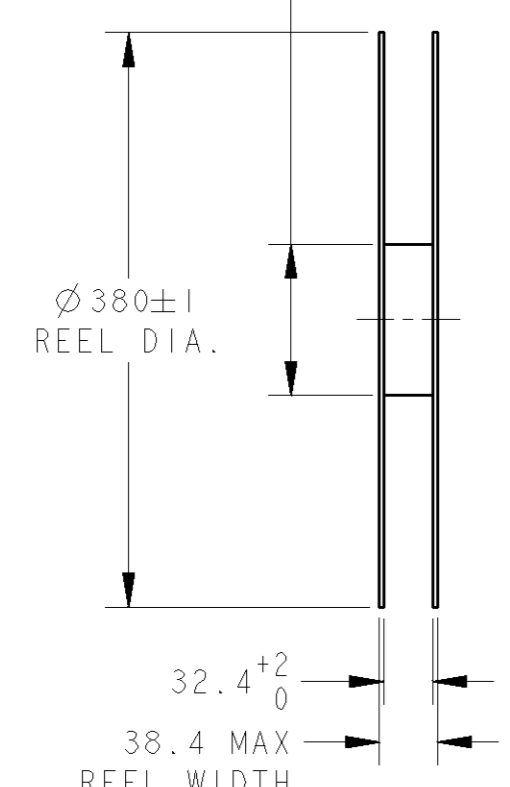
THIS DRAWING IS UNPUBLISHED. RELEASED FOR PUBLICATION
 © COPYRIGHT - BY - ALL INTERNATIONAL RIGHTS RESERVED.

LOC		DIST		REVISIONS		
J				変更		
P	LTR	DESCRIPTION	DATE	DWN	APVD	
-	-	SEE SHEET 1	-	-	-	

1981959-1; AS SHOWN



FRANGE CORE DIA
 Ø100±1



製品装填部
 WITH PRODUCT CHARGE
 800個/1リール
 800EA/1REEL

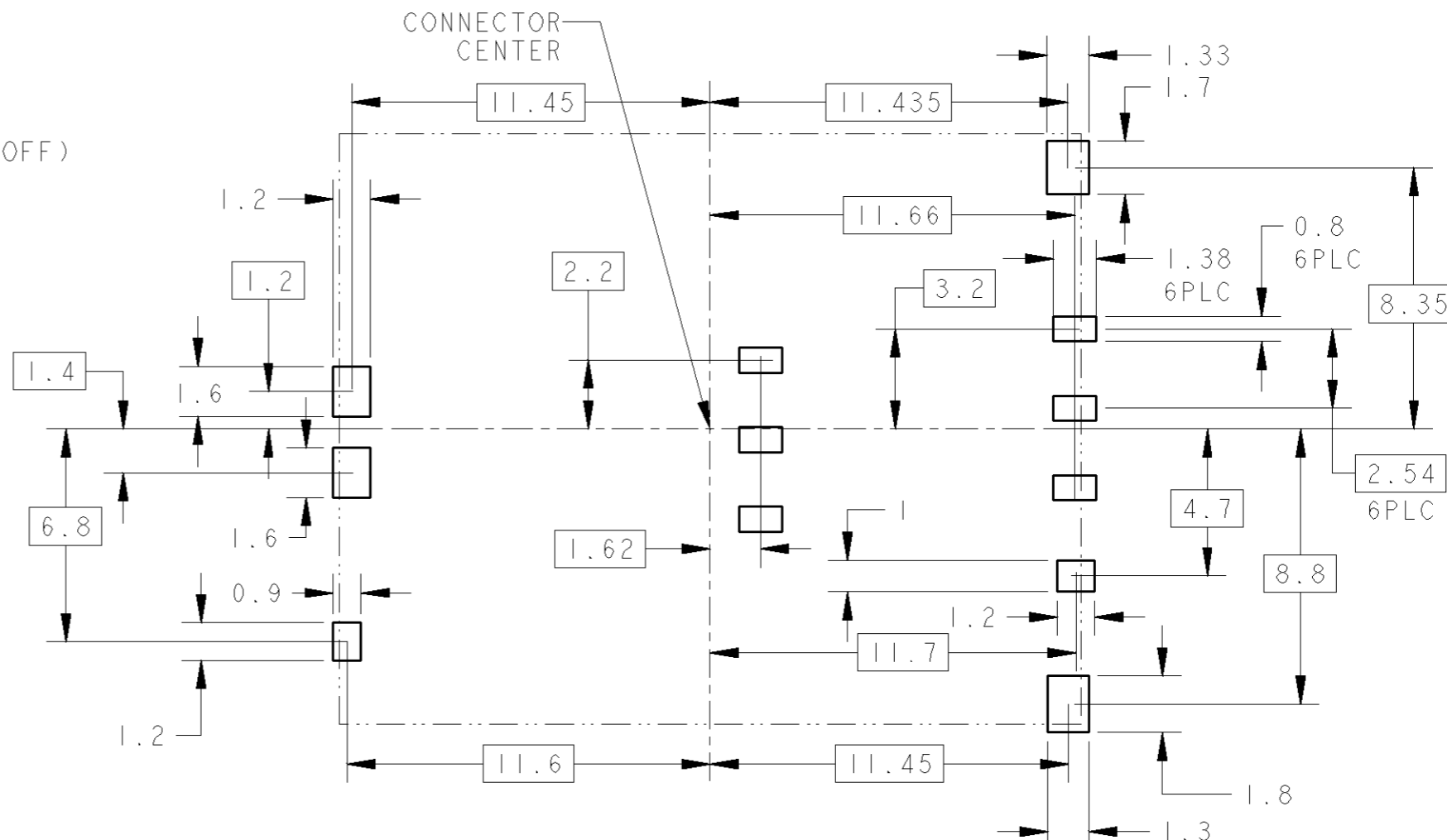
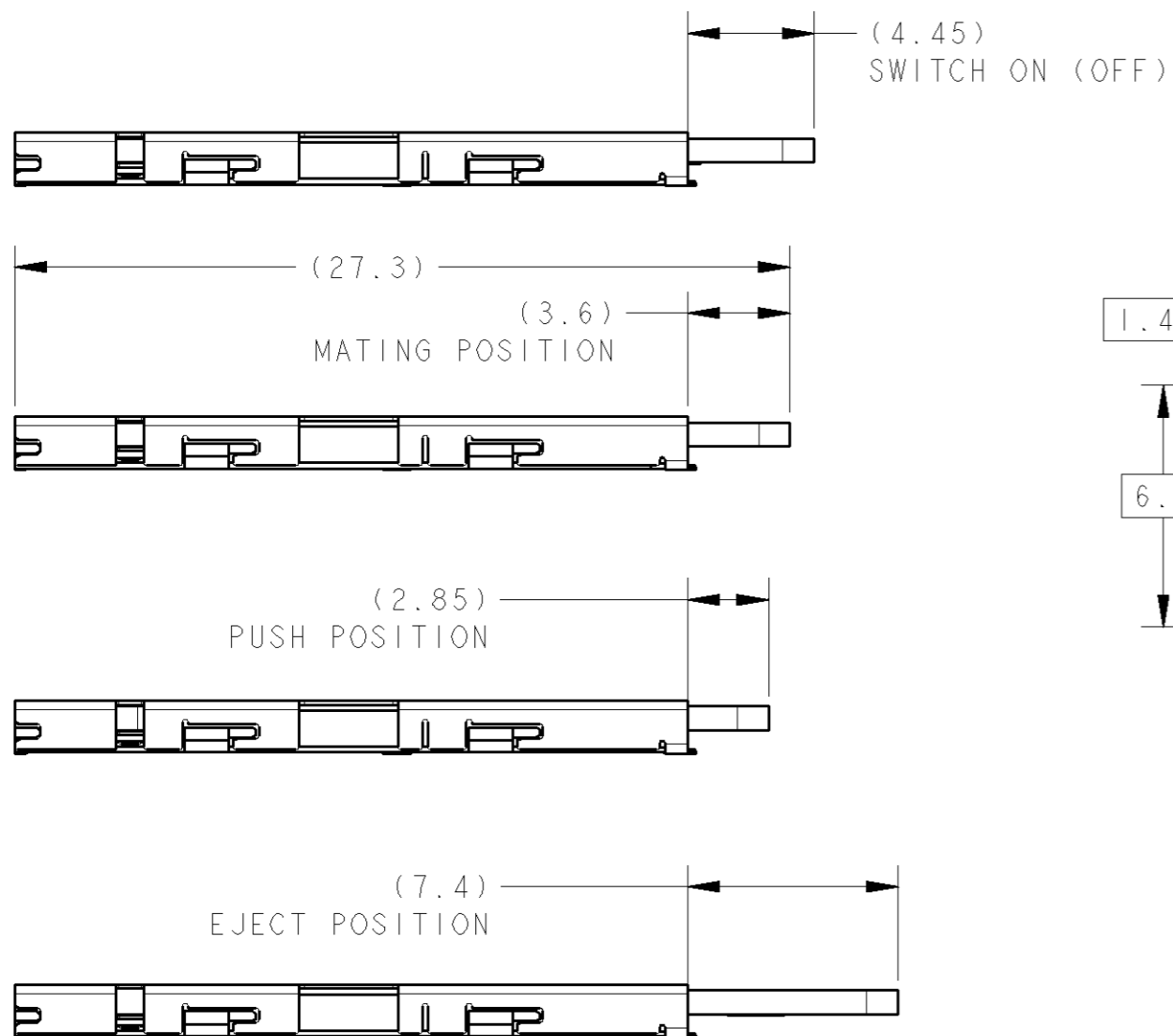
空部 7~10穴
 WITHOUT CHARGE
 7~10HOLES

DIMS: 単位: ㎜		TOLERANCES UNLESS OTHERWISE SPECIFIED:		DWN 02NOV2007 C. OHASHI			
		一般公差 ±0.2 0-PLC ± 1-PLC ± 2-PLC ± 3-PLC ± 4-PLC ± ANGLES ±		CHK 02NOV2007 Y. NAKAZAWA			
MATERIAL 材料		FINISH 仕上		APVD 08NOV2007 T. FUJITSUGI		SIM CONNECTOR PUSH-PUSH TYPE HI.87 WITH SWITCH	
SEE TABLE		SEE TABLE		PRODUCT SPEC 108-78454		RESTRICTED TO	
				APPLICATION SPEC 取付適用規格		SIZE CAGE CODE DRAWING NO	
				WEIGHT 1.2g		A300779 C=1981959	
				CUSTOMER DRAWING		SCALE 4:1 SHEET 2 OF 4 REV C1	

P	LTR	DESCRIPTION	DATE	DWN	APVD
-	-	SEE SHEET 1	-	-	-

ONLY FOR ENGINEERING EVALUATION

CARD POSITION



REFERENCE PCB LAYOUT
 GENERAL TOLERANCE: ±0.05mm
 SCALE 5:1

- 1 THIS CONNECTOR DOES NOT HAVE LOCK
- 2 RECOMMENDED SOLDERING THICKNESS; 100μm MIN.
RECOMMENDED SOLDERING AREA: 100% OF REFERENCE LAYOUT PATTERN.

DIMENSIONS: 単位: 概 mm		TOLERANCES UNLESS OTHERWISE SPECIFIED: 一般公差 ±0.12 0-PLC ± 1-PLC ± 2-PLC ± 3-PLC ± 4-PLC ± ANGLES ±		DWN 02NOV2007 C.OHASHI CHK 02NOV2007 Y.NAKAZAWA APVD 08NOV2007 T.FUJATSUGI		STE TE Connectivity	
		MATERIAL 材料 SEE TABLE FINISH 仕上 SEE TABLE		PRODUCT SPEC 108-78454 APPLICATION SPEC 取付適用規格		NAME 名称 SIM CONNECTOR PUSH-PUSH TYPE HI.87 WITH SWITCH	
WEIGHT 1.2g		SIZE A300779		CAGE CODE C-1981959		DRAWING NO. 1981959	
CUSTOMER DRAWING		SCALE 尺度 4:1		SHEET 3 OF 4		REV C1	

LOC
J

DIST

REVISIONS

P

LTR

DESCRIPTION

DATE

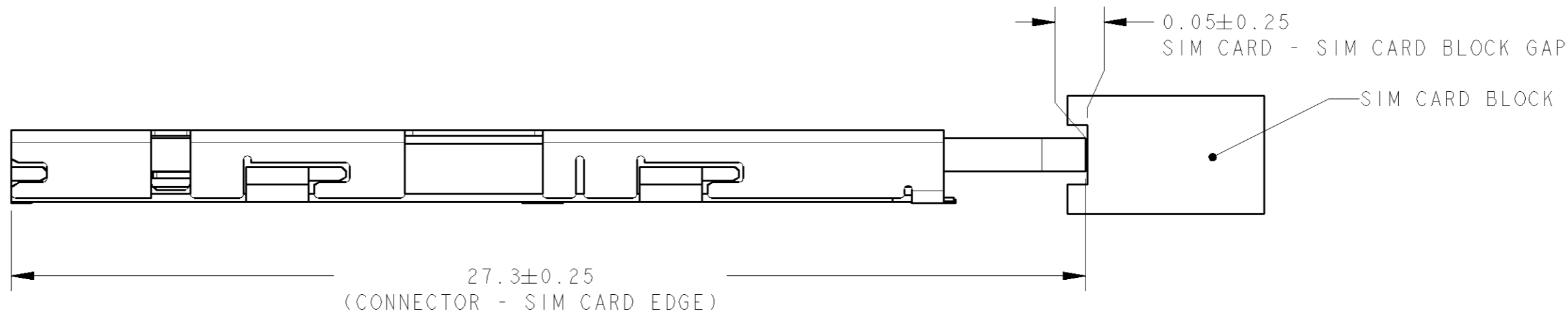
DWN

APVD

SEE SHEET 1

FOR ENGINEERING EVALUATION

*THERE IS NO SIM CARD LOCK IN THIS CONNECTOR.
PLEASE HOLD THE CARD EDGE AS SHOWN IN THE FIGURE BELOW AT TIME OF USE.



DIMENSIONS: 単位: 概 mm		TOLERANCES UNLESS OTHERWISE SPECIFIED: 一般公差 ±0.25 0-PLC ± 1-PLC ± 2-PLC ± 3-PLC ± 4-PLC ± ANGLES ±		DWN 02NOV2007 C.OHASHI CHK 02NOV2007 Y.NAKAZAWA APVD 08NOV2007 T.FUJATSUGI							
		MATERIAL 材料 SEE TABLE		FINISH 仕上 SEE TABLE		PRODUCT SPEC 製品規格 108-78454 APPLICATION SPEC 取付適用規格		NAME 名称 SIM CONNECTOR PUSH-PUSH TYPE HI.87 WITH SWITCH			
WEIGHT 1.2g		SIZE A3		CAGE CODE 00779		DRAWING NO 番号 C-1981959		RESTRICTED TO			
CUSTOMER DRAWING						SCALE 尺度 4:1		SHEET 4 OF 4		REV C1	