

## Panel feed-through - VS-EC-MSDB SH SCO - 1440711

Please be informed that the data shown in this PDF Document is generated from our Online Catalog. Please find the complete data in the user's documentation. Our General Terms of Use for Downloads are valid (<http://phoenixcontact.com/download>)




Sensor/actuator flush-type plug, Mini-B USB, M12 SPEEDCON, with straight solder connection

### Your advantages

- ✓ Easy PCB assembly: one-piece connectors for wave soldering
- ✓ For high transmission reliability: optional shield connection to the housing by means of shield contact
- ✓ SPEEDCON fast locking system reduces cabling times

### Key Commercial Data

Packing unit	1 pc
Minimum order quantity	20 pc
GTIN	 4 046356 554053
GTIN	4046356554053
Weight per Piece (excluding packing)	11.000 g
Custom tariff number	85366990
Country of origin	Germany

### Technical data

#### Ambient conditions

Ambient temperature (operation)	-25 °C ... 85 °C (Plug / socket)
Degree of protection	IP67

#### General

Rated current at 40°C	1 A
Rated voltage	30 V

## Panel feed-through - VS-EC-MSDB SH SCO - 1440711

### Technical data

#### General

Number of positions	4
Connection method	Solder pins
Insertion/withdrawal cycles	≥ 100
Mounting type	Rear mounting M12 x 1 With locking nut

#### Material

Flammability rating according to UL 94	V0
Contact material	Cu alloy
Contact surface material	Gold over nickel
Material, knurls	Zinc die-cast, nickel-plated

#### Standards and Regulations

Flammability rating according to UL 94	V0
--	----

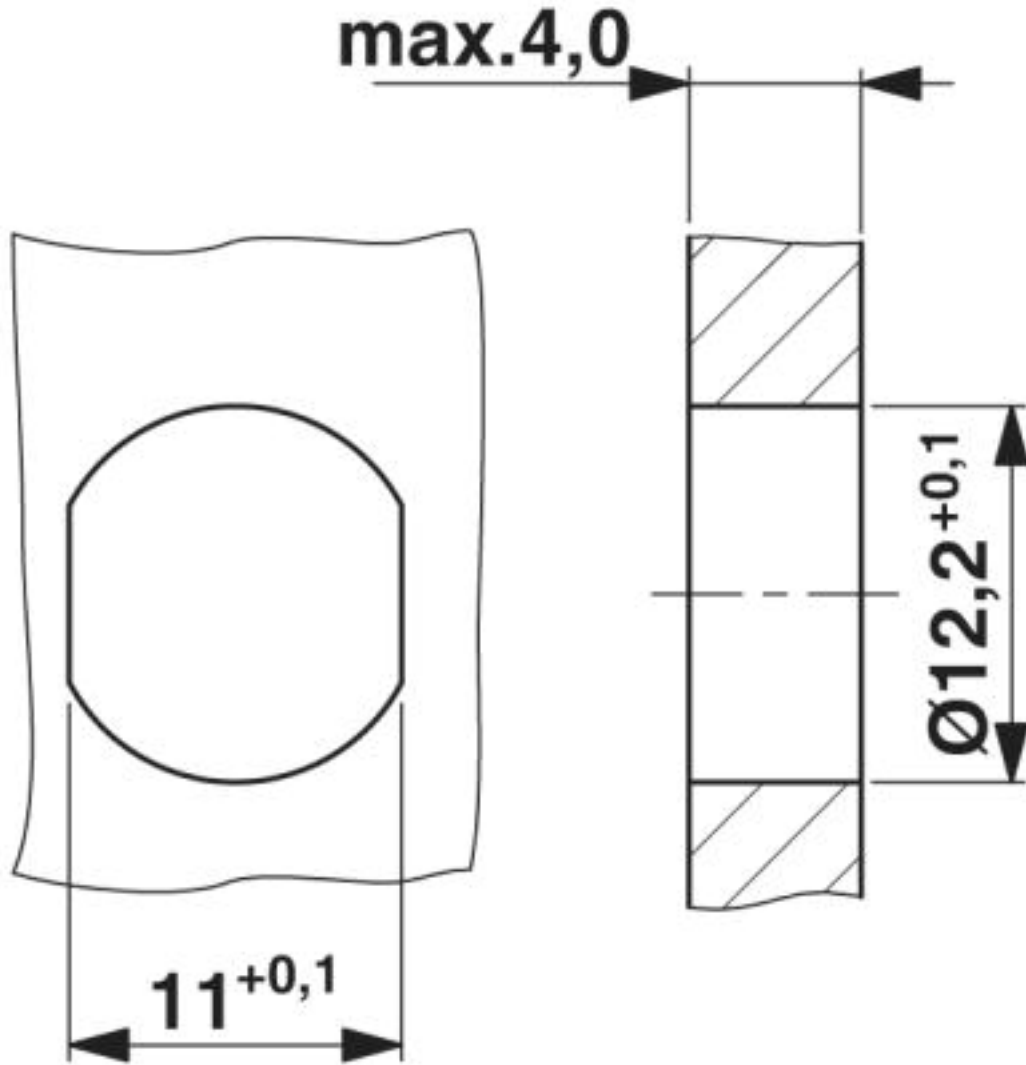
#### Environmental Product Compliance

REACH SVHC	Lead 7439-92-1
China RoHS	Environmentally Friendly Use Period = 50
	For details about hazardous substances go to tab "Downloads", Category "Manufacturer's declaration"

### Drawings

# Panel feed-through - VS-EC-MSDB SH SCO - 1440711

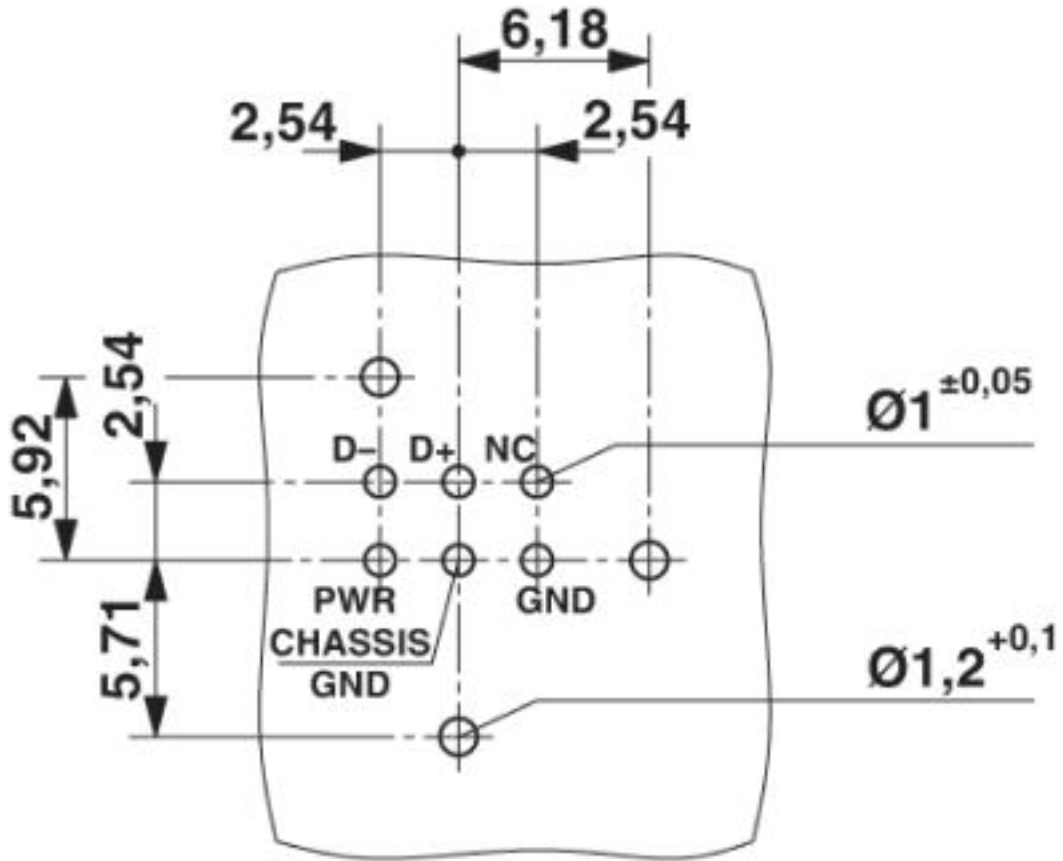
Dimensional drawing



Housing cutout for M12 fastening thread, mounting panel with feed-through hole (alternative with surface as protection against rotation)

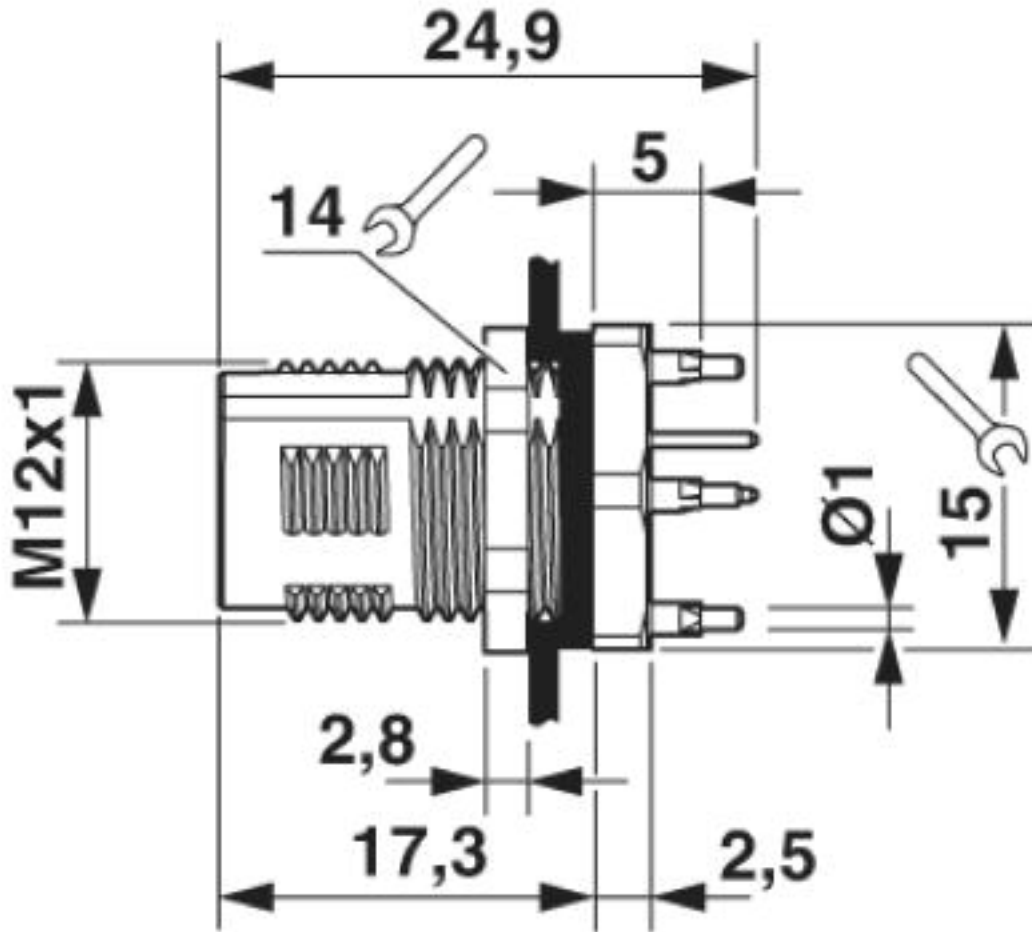
# Panel feed-through - VS-EC-MSDB SH SCO - 1440711

Drilling diagram



# Panel feed-through - VS-EC-MSDB SH SCO - 1440711

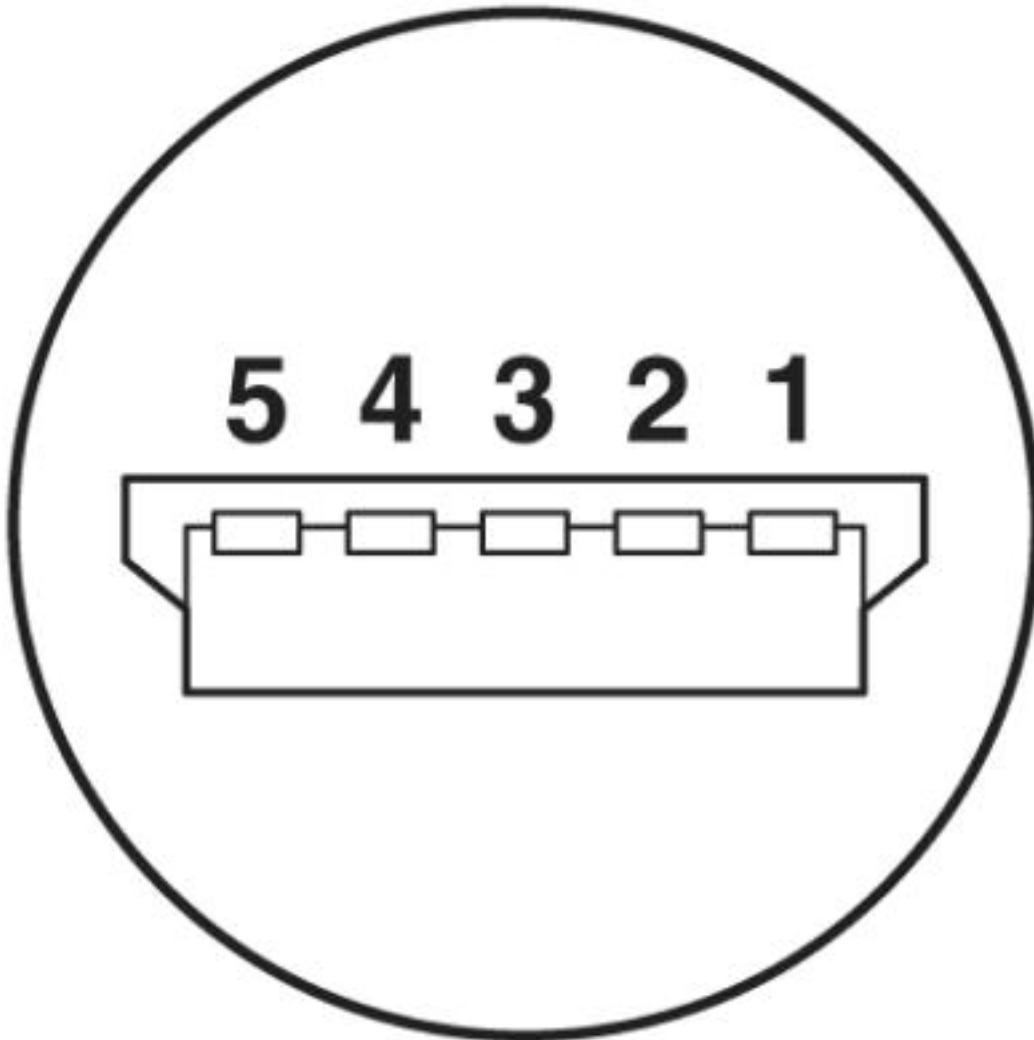
Dimensional drawing



M12 flush-type connector

# Panel feed-through - VS-EC-MSDB SH SCO - 1440711

Schematic diagram



Connector pin assignment

## Classifications

eCl@ss

eCl@ss 10.0.1	27440102
eCl@ss 4.0	27260700
eCl@ss 4.1	27260700
eCl@ss 5.0	27260700
eCl@ss 5.1	27260700

# Panel feed-through - VS-EC-MSDB SH SCO - 1440711

## Classifications

### eCl@ss

eCl@ss 6.0	27279200
eCl@ss 7.0	27440103
eCl@ss 8.0	27440103
eCl@ss 9.0	27440102

### ETIM

ETIM 4.0	EC002061
ETIM 5.0	EC002061
ETIM 6.0	EC002061

### UNSPSC

UNSPSC 6.01	31251501
UNSPSC 7.0901	31251501
UNSPSC 11	31251501
UNSPSC 12.01	31251501
UNSPSC 13.2	39121413
UNSPSC 18.0	39121413
UNSPSC 19.0	39121413
UNSPSC 20.0	39121413
UNSPSC 21.0	39121413

## Approvals

### Approvals

---

### Approvals

### EAC

---

### Ex Approvals

---

## Approval details

EAC		B.01742
-----	---	---------

## Panel feed-through - VS-EC-MSDB SH SCO - 1440711

### Accessories

#### Accessories

#### Protective cap

Sealing cap - PROT-M12 FS-PA-CHAIN-EYE-DM12 - 1456187



M12 sealing cap made of plastic with fixing band, for free M12 plugs with 12.0 mm fastening eye