

# Customer Information Sheet

DRAWING No.: G125-MHXXX05L5P

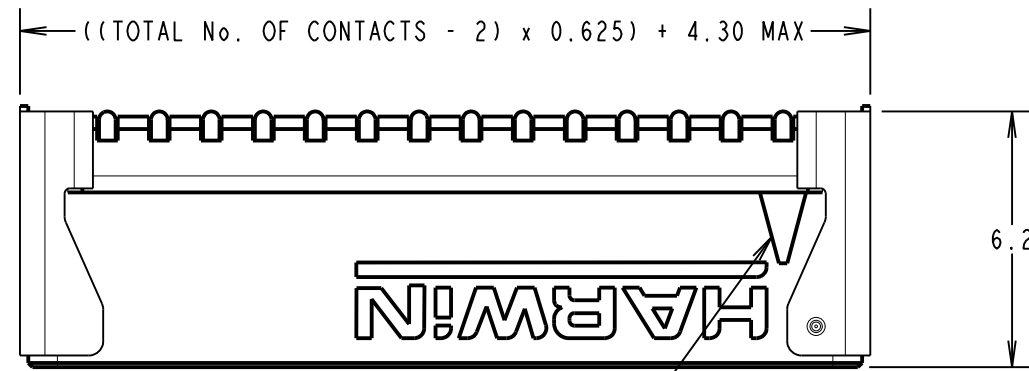
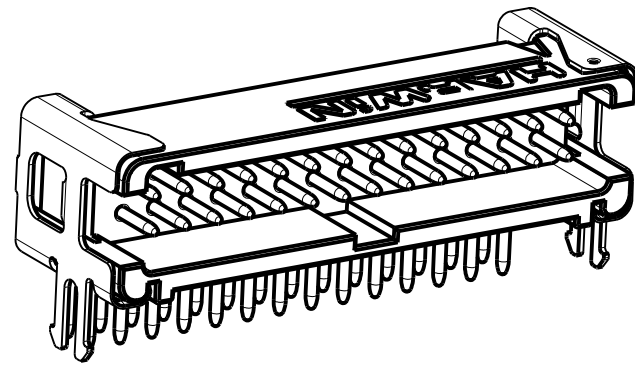
IF IN DOUBT - ASK

©

NOT TO SCALE

THIRD ANGLE PROJECTION

ALL DIMENSIONS IN mm



CONTACT No 1 INDICATOR

CONTACT STYLE	DIM 'Z'
H1	3.2±0.15
H2	4.7±0.15

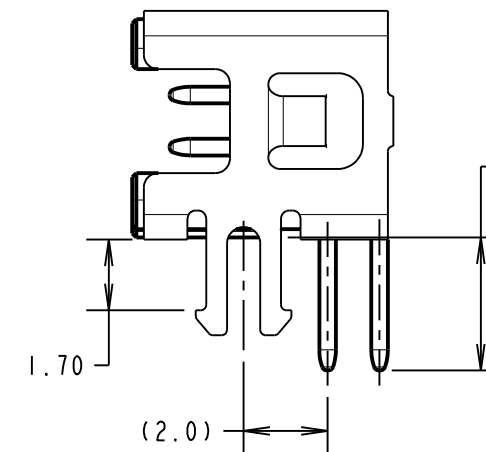
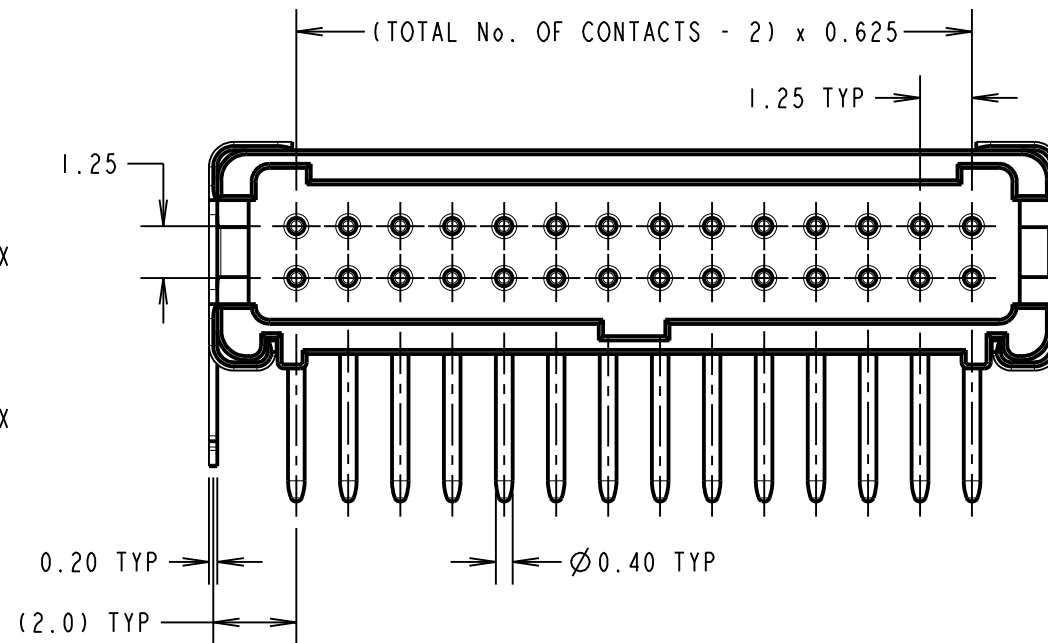
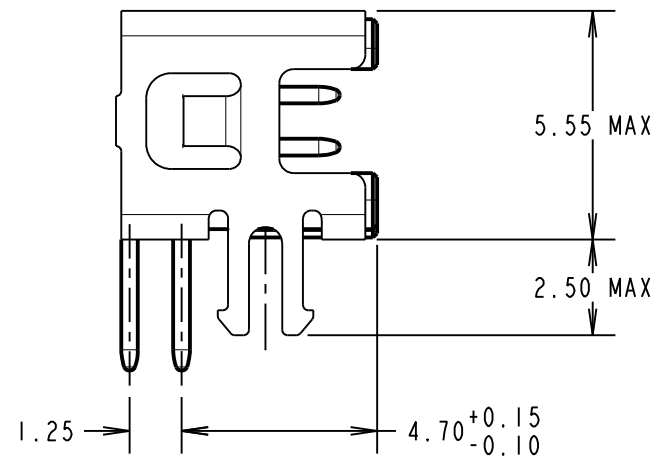
ORDER CODE:

**G125-MHXXX05L5P**

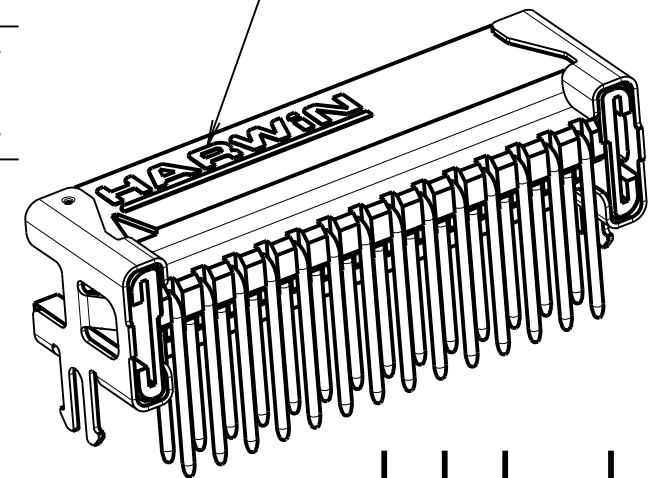
3.2mm PC-TAILS = H1  
4.7mm PC-TAILS = H2

TOTAL No. OF CONTACTS  
06, 10, 12, 16, 20,  
26, 34, 50.

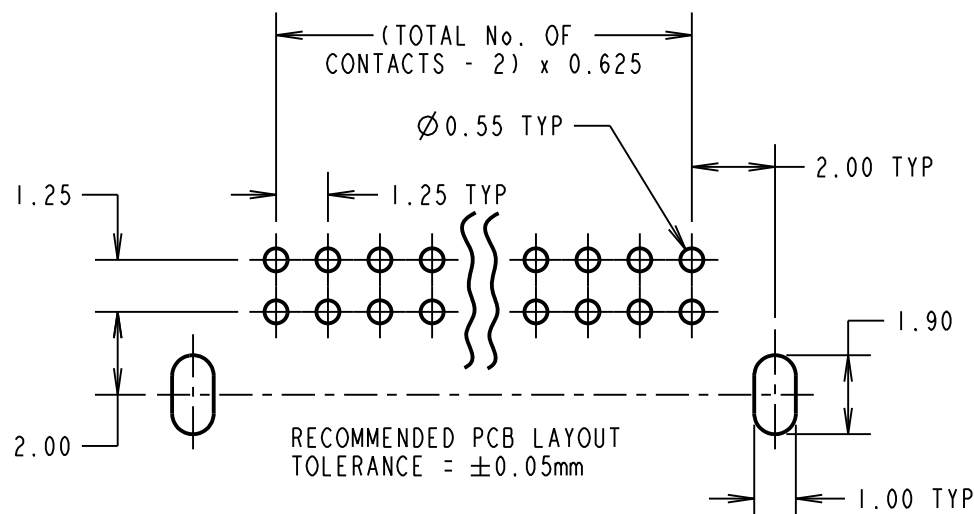
LATCHES:  
1.7mm PCB HOLD DOWN = L5



FULL LOGO ONLY  
ON 20 TO 50 WAY.  
'H' ON 6 & 10 WAY.  
'HWN' ON 12 & 16 WAY.



CONNECTOR DETAILS AND PCB LAYOUT ONLY.  
SEE SHEET 6 FOR TAPE STRIP DETAILS.



NOTES:

- FOR COMPLETE SPECIFICATION, SEE COMPONENT SPECIFICATION C125XX (LATEST ISSUE). SEE G125-SERIES CONNECTORS SPECIFICATION SHEET FOR MATERIALS, FINISH AND SPECIFICATION SUMMARY.

RTP	4	03.09.21	30825
NAME	ISS.	DATE	CN/CO
APPROVED: R.PORTLOCK			
CHECKED: R.ALEXANDER			
DRAWN: MARK G PLESTED			
CUSTOMER REF.:			
ASSEMBLY DRG:			

**HARWIN**

www.harwin.com  
technical@harwin.com

THIS DRAWING AND ANY INFORMATION OR DESCRIPTIVE MATTER SET OUT HEREON ARE CONFIDENTIAL AND COPYRIGHT PROPERTY OF THE HARWIN GROUP AND MUST NOT BE DISCLOSED, LOANED, COPIED OR USED FOR MANUFACTURING, TENDERING OR FOR ANY OTHER PURPOSE WITHOUT THEIR WRITTEN PERMISSION.

TOLERANCES  
X. = ±1mm  
X.X = ±0.50mm  
X.XX = ±0.20mm  
X.XXX = ±0.01mm  
ANGLES = ±5°  
UNLESS STATED

MATERIAL:  
SEE NOTE 1  
FINISH: SEE NOTE 1  
S/AREA: mm<sup>2</sup>

TITLE:  
G125 MALE HORIZONTAL PC TAIL  
SERIES IN TAPE  
DRAWING NUMBER:  
**G125-MHXXX05L5P**  
SHT  
5 OF 6

# Customer Information Sheet

DRAWING No.: G125-MHXXX05L5P

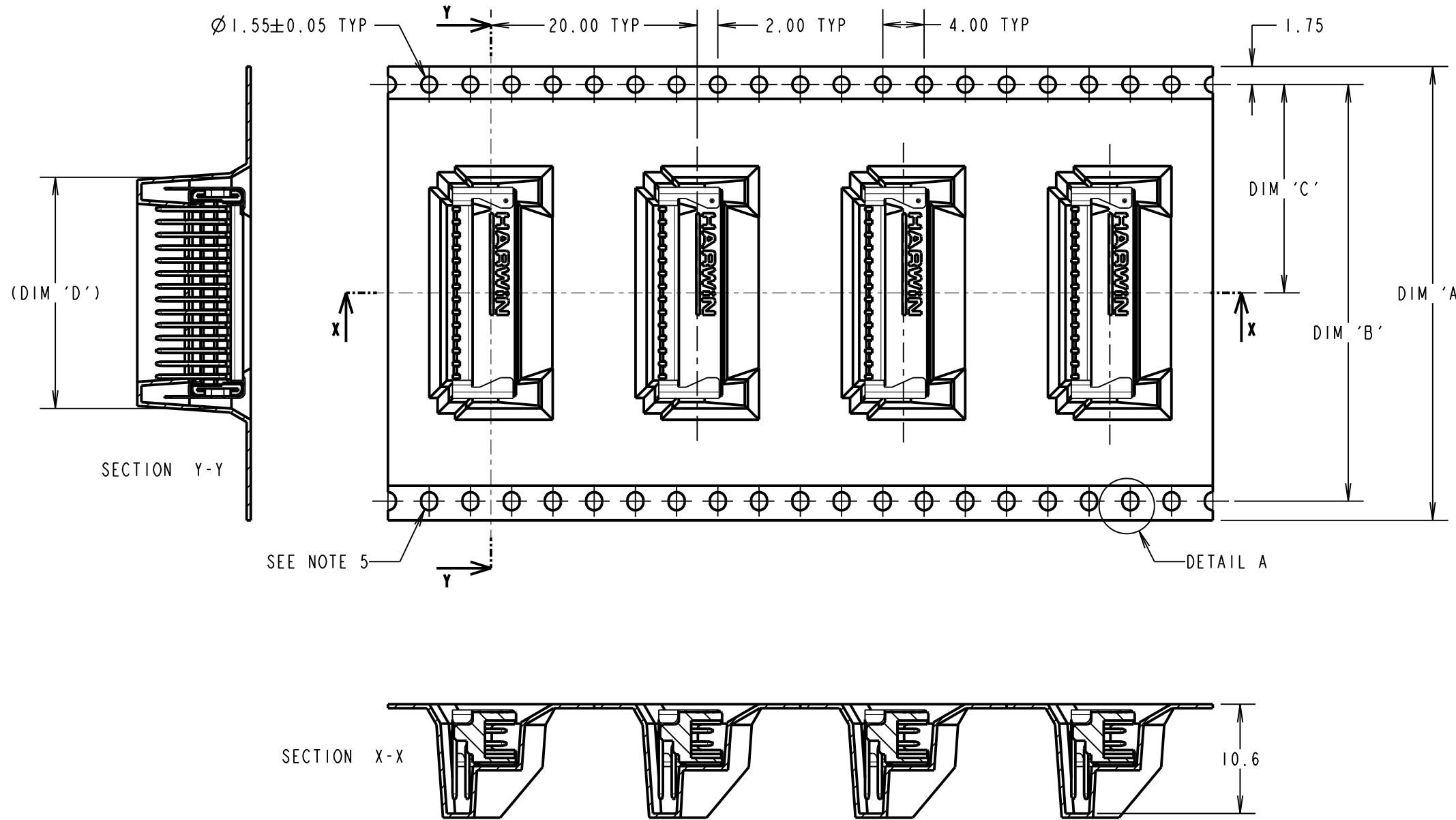
IF IN DOUBT - ASK

©

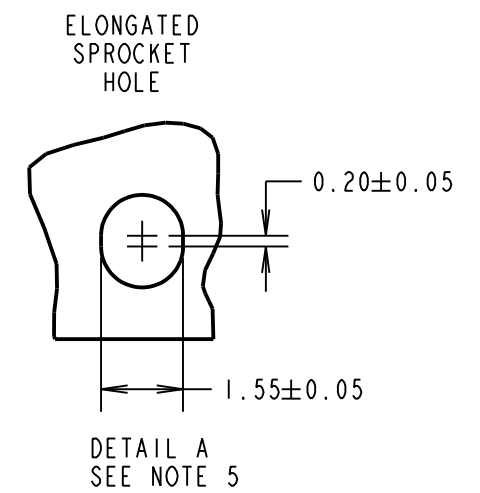
NOT TO SCALE

THIRD ANGLE PROJECTION

ALL DIMENSIONS IN mm



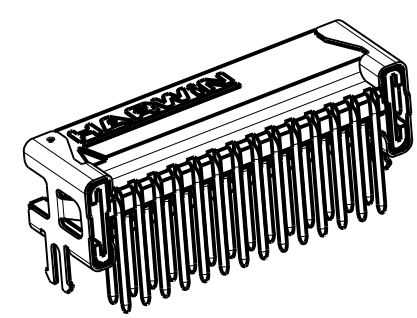
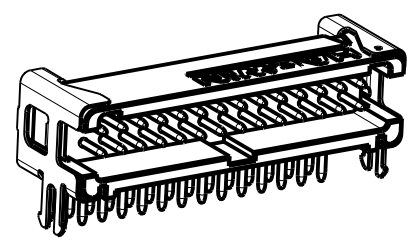
ORDER CODE:  
**G125-MHXXX05L5P**  
 3.2mm PC-TAILS = H1  
 4.7mm PC-TAILS = H2  
 TOTAL No. OF CONTACTS  
 06, 10, 12, 16, 20,  
 26, 34, 50.  
 LATCHES:  
 1.7mm PCB HOLD DOWN = L5



PART No.	DIM 'A'	DIM 'B'	DIM 'C'	DIM 'D'
G125-MHX0605L5P	24.0	NO ELONGATED HOLE	11.50	8.5
G125-MHX1005L5P	+0.3/-0.1			11.0
G125-MHX1205L5P	32.0±0.3	28.40	14.20	12.2
G125-MHX1605L5P				14.7
G125-MHX2005L5P	44.0±0.3	40.40	20.2±0.15	17.2
G125-MHX2605L5P				21.0
G125-MHX3405L5P				26.0
G125-MHX5005L5P	56.0±0.3	52.40	26.2±0.15	36.0

RTP	4	03.09.21	30825
NAME	ISS.	DATE	CN/CO
APPROVED: R.PORTLOCK			
CHECKED: R.ALEXANDER			
DRAWN: MARK G PLESTED			
CUSTOMER REF.:			
ASSEMBLY DRG:			

- NOTES:
- COMPONENTS ARE ORIENTED IN TAPE POCKETS AS SHOWN.
  - COMPONENTS ARE SUPPLIED IN STRIPS OF 10 UNLESS OTHERWISE SPECIFIED.
  - LARGE QUANTITIES MAY BE SHIPPED ON A REEL AND MAY NOT HAVE A LEADER.
  - FOR PARTS ON REEL SUITABLE FOR AUTOMATIC MACHINE PLACEMENT PLEASE ORDER: G125-MHXXX05L5R.
  - FOR COMPLETE SPECIFICATION, SEE COMPONENT SPECIFICATION C125XX (LATEST ISSUE).
  - ELONGATED SPROCKET HOLE NOT PRESENT ON 06 & 10 POSITIONS.
  - SEE SHEET 5 FOR CONNECTOR DETAILS.



**HARWIN**  
 www.harwin.com  
 technical@harwin.com

THIS DRAWING AND ANY INFORMATION OR DESCRIPTIVE MATTER SET OUT HEREON ARE CONFIDENTIAL AND COPYRIGHT PROPERTY OF THE HARWIN GROUP AND MUST NOT BE DISCLOSED, LOANED, COPIED OR USED FOR MANUFACTURING, TENDERING OR FOR ANY OTHER PURPOSE WITHOUT THEIR WRITTEN PERMISSION.

TOLERANCES  
 X. = ±1mm  
 X.X = ±0.50mm  
 X.XX = ±0.20mm  
 X.XXX = ±0.01mm  
 ANGLES = ±5°  
 UNLESS STATED

MATERIAL:  
 SEE SHEET 5  
 FINISH: SEE SHEET 5  
 S/AREA: mm<sup>2</sup>

TITLE:  
 G125 MALE HORIZONTAL PC TAIL  
 SERIES IN TAPE  
 DRAWING NUMBER:  
**G125-MHXXX05L5P**  
 SHT 6 OF 6

# Mouser Electronics

Authorized Distributor

Click to View Pricing, Inventory, Delivery & Lifecycle Information:

[Harwin:](#)

[G125-MH11205L5P](#) [G125-MH13405L5P](#) [G125-MH15005L5P](#) [G125-MH12005L5P](#) [G125-MH10605L5P](#)