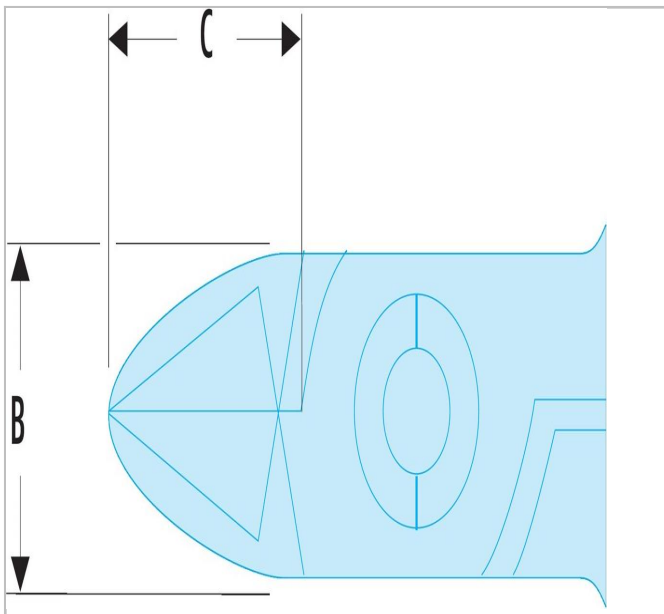


ESD "tip" cutters



Description:

- Protection of electronic components from risks of electrostatic discharge (ESD).
- Compact noses for difficult access.



	Length L [mm]	Thickness E [mm]	Head Height C [mm]	Head Width B [mm]
416.E	110	7	10.5	10.5