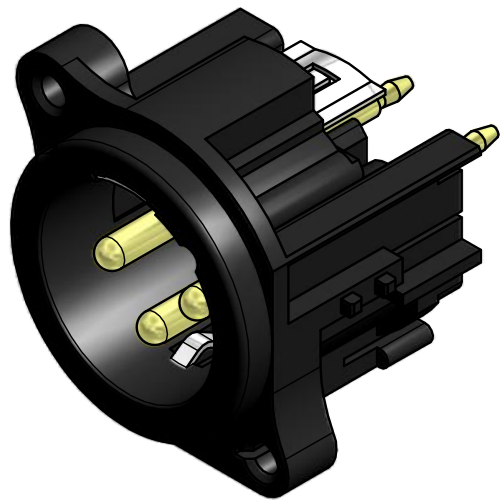
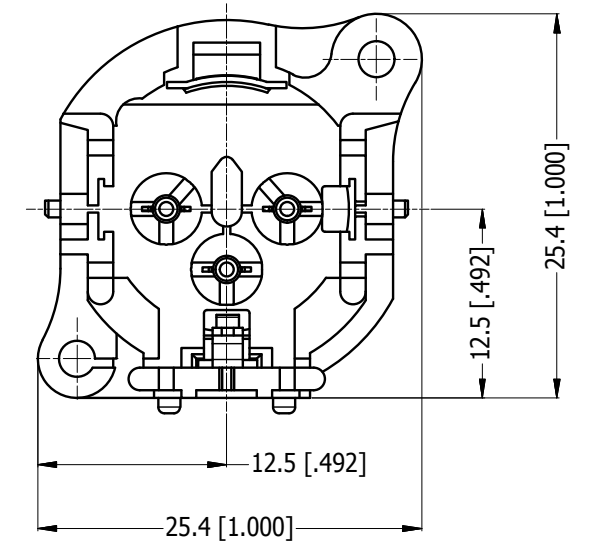
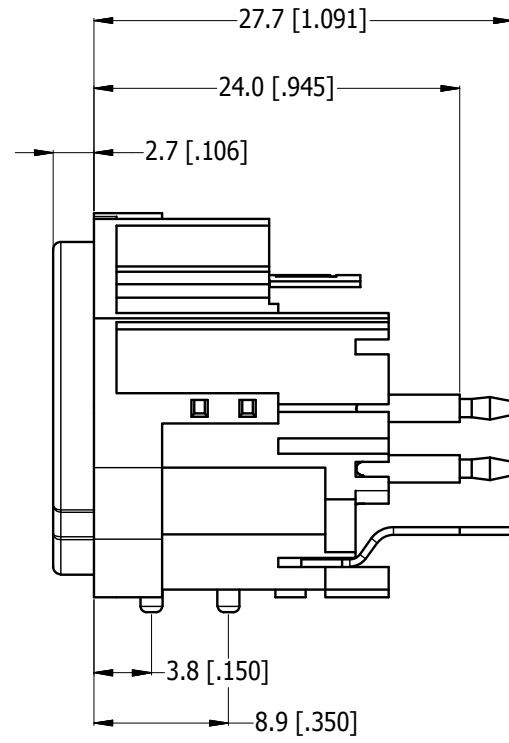
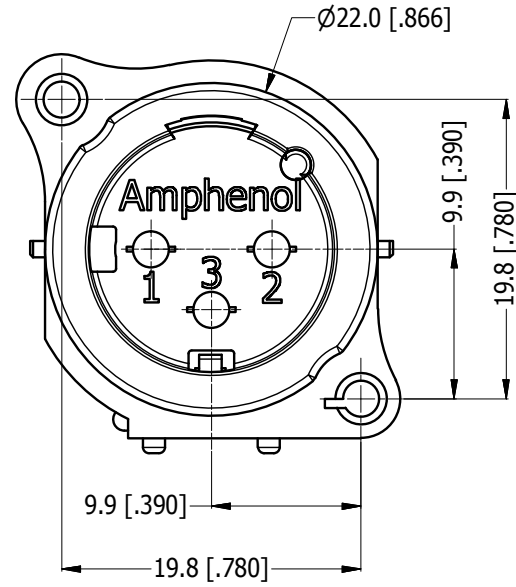
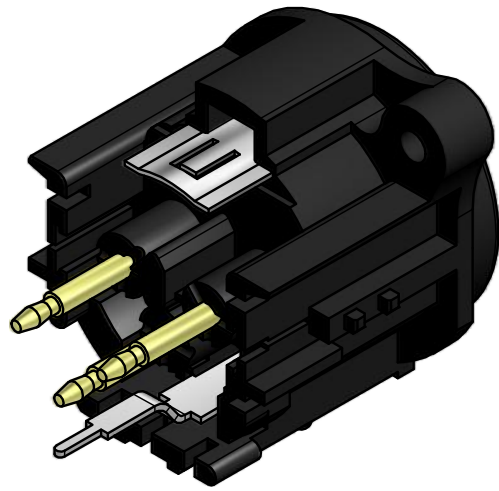
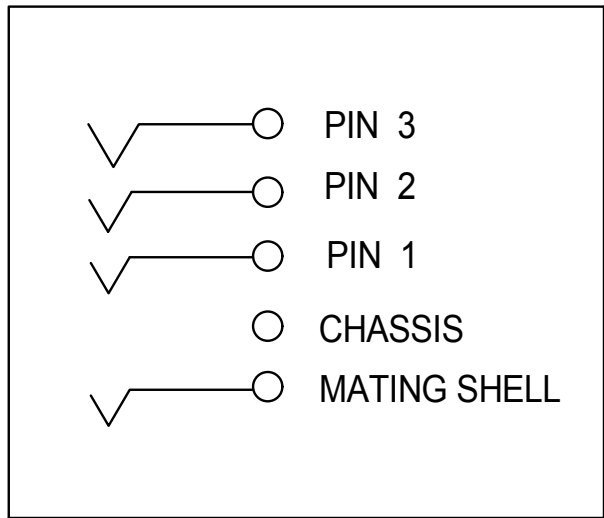


LEGEND = KEY PRODUCT CHARACTERISTICS

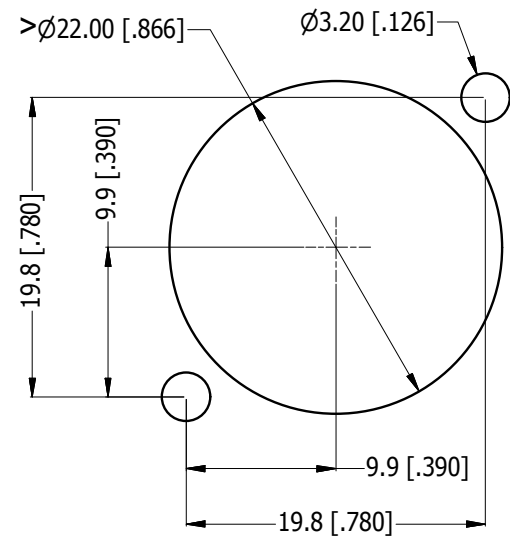
| REVISION HISTORY | | | | |
|------------------|-------------|------------|----|--------|
| REV | DESCRIPTION | DATE | BY | CHG/No |
| 0 | FIRST ISSUE | 08/10/2014 | MH | --- |



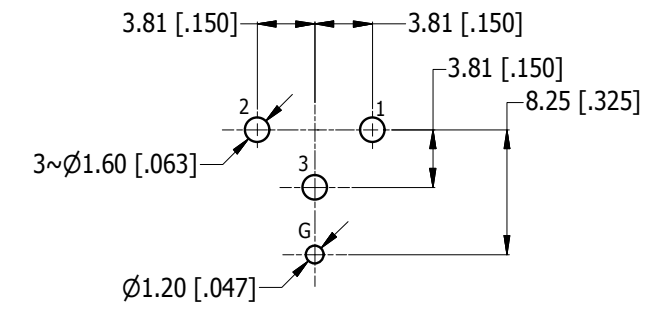
ISO VIEWS



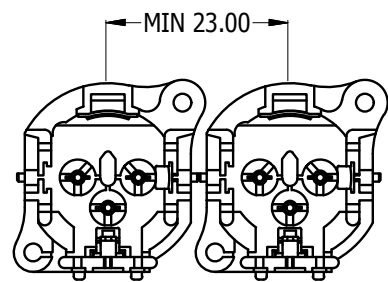
SCHEMATIC CHART



**PANEL CUT OUT
REAR VIEW**



**PCB-LAYOUT
COMPONENT SIDE
TOLERANCE: $\pm 0.05\text{mm} [0.002"]$**



**MIN MOUNTING PITCH
SCALE 1:1**

| | | | | | | | |
|--|-------------|---|-------------------|-----------------|---|--|--|
| UNLESS OTHERWISE SPECIFIED TOLERANCE TO BE | | THIS DOCUMENT IS THE PROPERTY OF AMPHENOL AUSTRALIA PTY. LTD. NO PART THEREOF MAY BE REPRODUCED AND USED WITHOUT THE PRIOR WRITTEN CONSENT OF THE OWNER | | | | Amphenol Amphenol Australia Pty.Ltd, 22 Industry Blvd, Carrum Downs, VIC 3201 | |
| LINEAR | ANGULAR | MATERIAL: | DRN: MH | DATE: 08/10/14 | TITLE: | PART No: | |
| X ± 0.5 | X' ± 1 | REFER TO COMPONENT | CKD: M.H | DATE: 08/10/14 | AC3MAV-AU-PRE VERTICAL MALE CUSTOMER DRAWING | AC3MAV-AU-PRE | |
| X.X ± 0.1 | X.X' ± 30' | FINISH: REFER TO COMPONENT | APP'D: P.M | DATE: 08/10/14 | DRAWING NO. | SHEET | |
| X.XX ± 0.05 | X.XX' ± 15' | DO NOT SCALE | SCALE: 2:1 | SIZE: A3 | CAD FILE 55011033000220 | 55011033-000-2 2/2 | |
| DIMENSIONS IN MILLIMETRES | | THIRD ANGLE PROJECTION | | | | | |

Mouser Electronics

Authorized Distributor

Click to View Pricing, Inventory, Delivery & Lifecycle Information:

[Amphenol:](#)

[AC3MAV4-AU-B](#) [AC3MAV-AU-B](#) [AC3MAV1-AU-B](#) [AC3MAV2-AU-B](#) [AC3MAV3-AU-B](#) [AC3MAV-AU-PRE](#)
[AC3MAVL-AU-PRE](#)