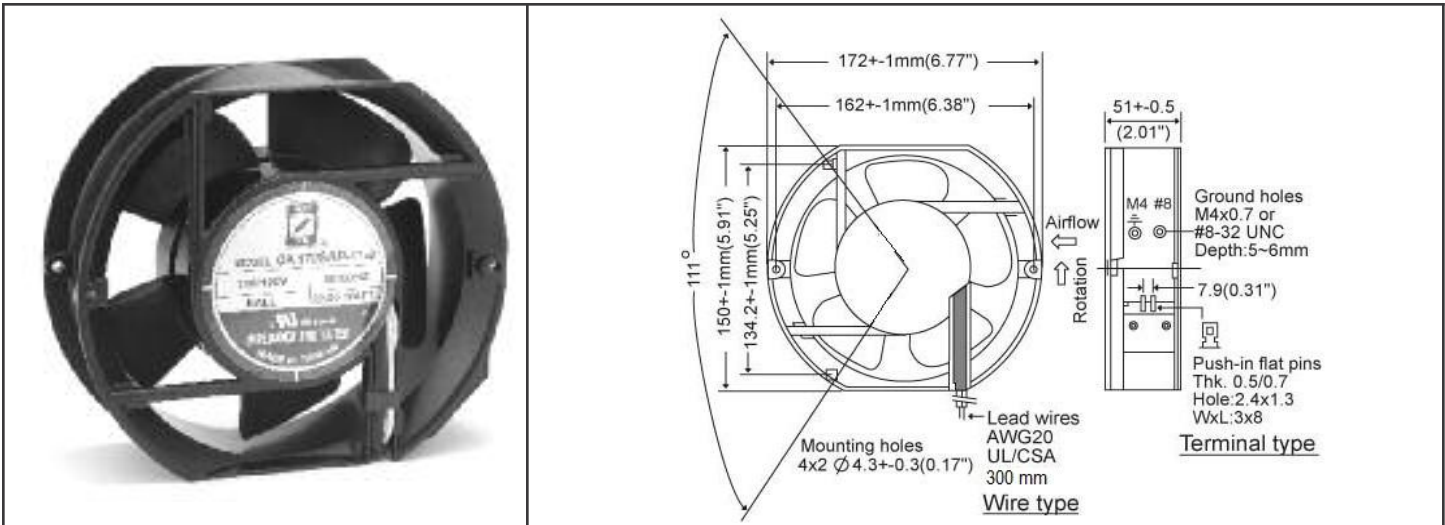


OA172S Series



AC Fan - 115V, 230V
172 x 150 x 51mm (6.7"x 5.9" x 2.0")



| | | | |
|-----------------------|--|---|--|
| Frame | Diecast Aluminum | <u>Operating Temperature</u> Ball Bearing -20C ~ +70C Storage Temp -40C ~ +80C <u>Life Expectancy</u> Ball Bearing 60,000 hours (L10 at 40C) Weight: ~ 2.6 lbs. | |
| Impeller | PBT, UL94V-0 plastic | | |
| Connection | 2x Lead Wires or Terminals | | |
| Motor | Capacitor drive, impedance protected | | |
| Bearing System | Dual ball | | |
| Insulation Resistance | >100M ohm between lead-wire and frame (500VDC) | | |
| Dielectric Strength | 1 min at 1500 VAC, 50/60Hz | | |

| Model Number | Speed (RPM) | Airflow (CFM) | Noise (dB) | Volts AC | Voltage Range | Watts | Max. Static Pressure (\"H2O) |
|-----------------|-------------|---------------|------------|----------|---------------|-------|------------------------------|
| OA172SAP-11-1 * | 3200 | 235 | 52 | 115 | 80~130 | 35 | 0.70 |
| OA172SAP-11-2 * | 2400 | 170 | 42 | 115 | 80~130 | 20 | 0.49 |
| OA172SAP-11-3 * | 1800 | 135 | 33 | 115 | 80~130 | 16 | 0.43 |
| OA172SAP-22-1 * | 3200 | 235 | 52 | 230 | 160~260 | 35 | 0.70 |
| OA172SAP-22-2 * | 2400 | 170 | 42 | 230 | 160~260 | 20 | 0.49 |
| OA172SAP-22-3 * | 1800 | 135 | 33 | 230 | 160~260 | 16 | 0.43 |

* Indicate "TB" for Terminal type or "WB" for Wire Leads

Mouser Electronics

Authorized Distributor

Click to View Pricing, Inventory, Delivery & Lifecycle Information:

Orion Fans:

[OA172SAP-22-2WB](#) [OA172SAP-11-3TB](#) [OA172SAP-11-3WB](#) [OA172SAP-22-1WB](#) [OA172SAP-22-1TB](#)
[OA172SAP-11-2WB](#) [OA172SAP-11-2TB](#) [OA172SAP-22-2TB](#) [OA172SAP-22-3WB](#) [OA172SAP-22-3TB](#) [OA172SAP-11-1WB](#) [OA172SAP-11-1TB](#) [OA172SAP-11-1WB03](#) [OA172SAN-22-1WB](#) [OA172SAN-11-1WB](#) [OA172SAN-11-1TB](#)
[OA172SAN-22-1TB](#) [OA172SAN-11-2WB](#)