

2D Drawing	IGES	STEP	3D PDF
Solder Profile	CofC RoHS Compliant	CofC REACH Compliant	UL Plastic File
Certificate of Origin	Check Stock	Request a Sample	Send Us An Email

Generated Part Number



Part Number Builder

<input type="text"/>	-	<input type="text"/>	<input type="text"/>	<input type="text"/>	<input type="text"/>
Series		No. of Port	No. of Positions Contacts	Shield Option	Option

Series

G8X - RJ45 Modular Jack with 10/100 magnetics and POE

Number of Ports

1 - 1 Port

Number of Positions / Contacts

88 - 8 Positions / 8 Contacts

Shield Options

S7 - Shielded

Magnetics Package

BP - 10/100 with POE

Contact Kycon for Schematics Options

**MODULAR JACKS AND PLUGS:
G8X Series**

RJ45 Modular Jack with 10/100 magnetics and POE

Product Features

- Includes magnetics to support 10/100 Base-T applications
- POE compatible
- LEDs for status indicators
- Shielded for EMI suppression
- PCB guide pegs

Performance Specifications

Materials and Finish

Housing Material

PBT Thermoplastic, UL 94V-0 Rated, Black Color

Shield Material

Brass, Nickel Plated

Contact Material

Phosphor Bronze

Plating

Nickel Underplating, 6µ" Gold Plate on Contact Area, Tin Plated on Solder Area

Electrical Characteristics

Insulation Resistance

500 Megohms Min.

Contact Resistance

20 milliohms Max.

Dielectric Withstanding Voltage

1200V AC for 1 Minute

Mechanical Characteristics

Durability Rating

750 Cycles Min.

Mating Force

30 N Max.

Operating Temperature

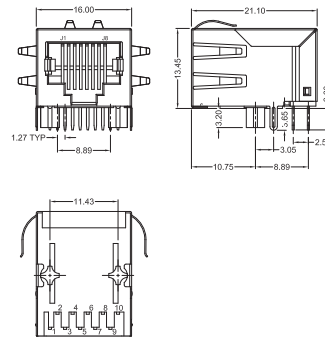
-40°C to +85°C

Storage Temperature

-40°C to +85°C

G8X Series

Dimensions in mm



Mouser Electronics

Authorized Distributor

Click to View Pricing, Inventory, Delivery & Lifecycle Information:

[Kycon:](#)

[G8X-188S7-BP](#)